



**PRO DESIGN**  
Furniture For Everyone





# The Quality



PT Putera Rackindo Sejahtera, carrying brand "PRO DESIGN", has been famous of quality furniture manufacturer by developing an internal system to provide a reliable product manufacturing according to highest quality standard of panel furniture in Knock Down form.

PRO DESIGN uses latest European machineries known for precision, heavy duty, and quality built to ensure a longterm investment, consistent and continuous supply to the market.

Just after the success of Batavia series recently of which made of honeycomb board panels, using best material from Netherland, this year PRO DESIGN launch latest collection of D'JAVA range. The straight forward designs are blending in a harmonious decoration of thick, yet curvy frames as key element of it's classic beauty. The BEST design ever by PRO DESIGN.

Such stealing moment experience could only be crafted with passion and knowledge to excel technical barrier, thanks to the great performance proven since 1989 by our production team, the excellent team who keep overcoming challenges of bringing dream into reality.

As we say in our motto "furniture for everyone", PRO DESIGN is determined to provide the best of world designs into a better value product for everyone. This new collection of D'JAVA has shown our passion to be the best panel furniture manufacturer in Indonesia.



# The Expansion

## The BEGINNING

In passion of making own TV stand, PT Putera Rackindo Sejahtera was established in 1989 at a small workshop in Surabaya, capital of East Java province, the 2nd largest city in Indonesia. Supplying local market with own brand PRO DESIGN has been the initial milestone of this company. Then come along computer desk where it's seen to be the emerging big market along with ever fast growing computer technology era until now.

## The DEVELOPMENT

The real groundbreaking mileage of PT Putera Rackindo Sejahtera was started when the location was shifted in 1995 to its current place nowadays in Gresik city, perfectly situated at 15km north of Surabaya, after moving to another place before. With approx. 85,000 sqm of land owned with a big vision, PRO DESIGN has set its business ground for longterm vision.

Second phase of development has since doubled its capacity, still with main focus on European machineries. From manual system to semi automatic, yet keeping the strenght of manual craftsmanship as added value of PRO DESIGN furniture and to stay ahead amongst others. PRO DESIGN has always been well know for its quality reputation.



shown right :  
our new hi-tech facilities

## The FUTURE

We hope to welcome you in our big family. Our skilled team will sure find a way to cater your market needs the best possible. We'll keep you posted of future valuable development of PRO DESIGN.

The latest expansion was just finished by 1st quarter of 2008 with capability of honeycomb board manufacturing. With best material from Netherland and waterproof glue, PRO DESIGN has set its quantum leap to the future of furniture manufacturing, where natural resources are getting more expensive and harder to get, while the market keeps growing . That is where honeycomb technology become a natural answer for "green product", to use less resources, yet keeping bold design component and remain strong for years. For that reason PRO DESIGN have become the key supplier to some of the world largest furniture retailers. To be proud is one thing, but the vision of providing "furniture for everyone" will become reality.



bedroom . livingroom . diningroom





## Brilliant

We develop a new way to make our furniture better than others. With all-side-finishing, from top to bottom, from right to left, and the most important the back side.



## Enhancement

Curve for detail. Curve means our capability to build a new type of home furniture.







### Push To Open

No more handle. A totally brand new push-to-open mechanism to create a modern look with extraordinary design.



### Beautifully Crafted

Imagine a sleek design with individual characteristic. A solid construction with new color that match minimalist home furnishing idea.

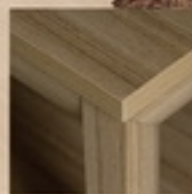






### New Look!

Better than ever. A great combination for dining room. Simple design with extraordinary color to create a totally new environment.



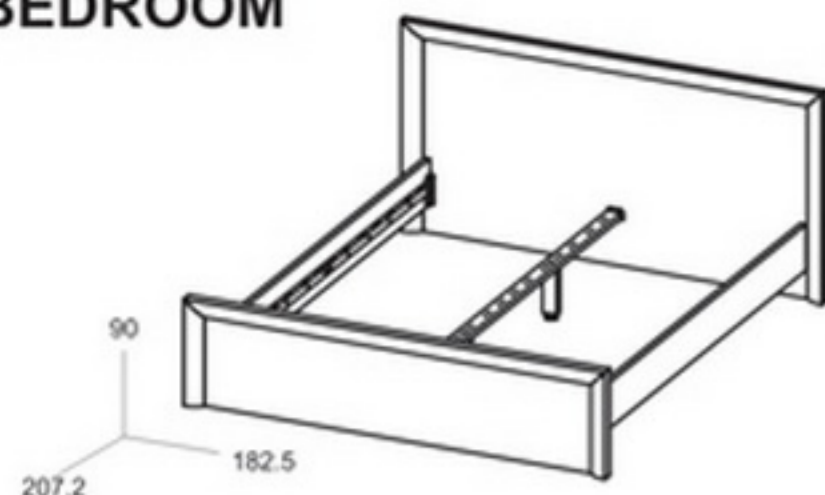
### Be Organized.

Even if you have small dining room space, you can still get more space to organized everything.

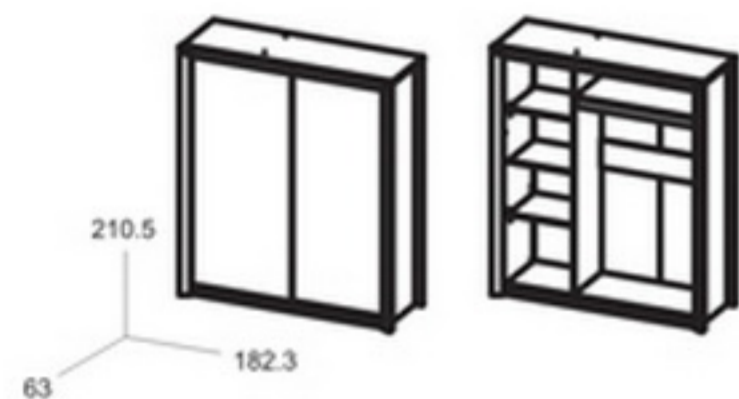




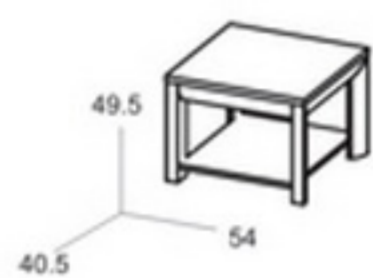
## BEDROOM



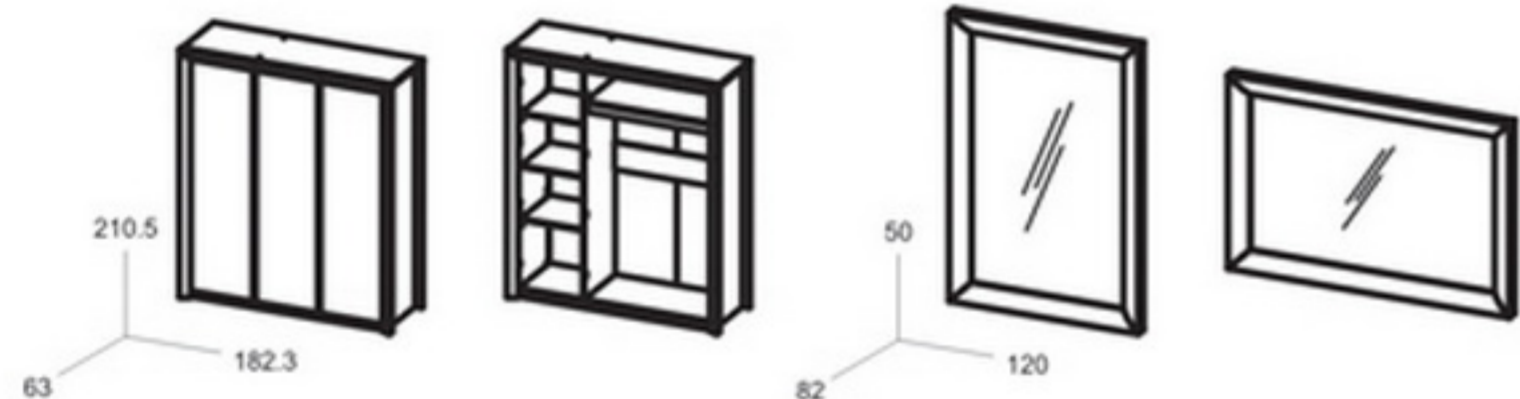
**JBD 160**  
CBM : 0.2882m<sup>3</sup>



**JWD 2 SL**  
CBM : 0.3678m<sup>3</sup>



**JNS 54**  
CBM : 0.0333m<sup>3</sup>

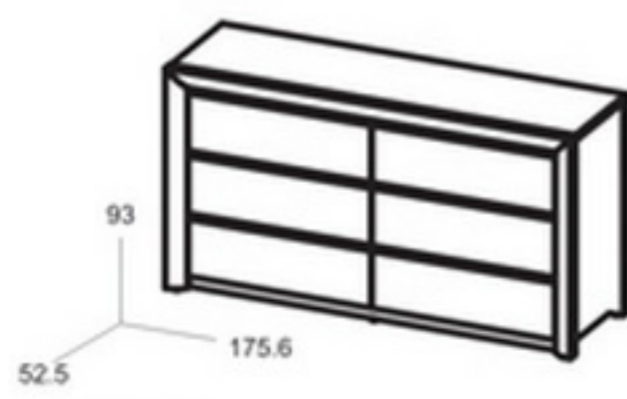


**JWD 3**  
CBM : 0.371m<sup>3</sup>

**JMR 120**  
CBM : 0.0928m<sup>3</sup>

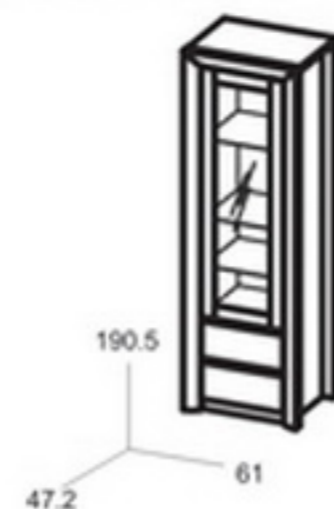


**JTB 96**  
CBM : 0.1646m<sup>3</sup>

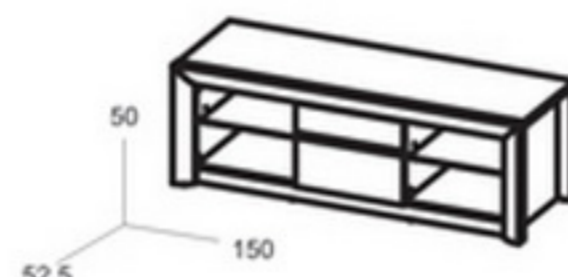


**JDS 175**  
CBM : 0.2552m<sup>3</sup>

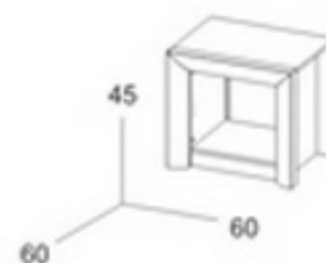
## LIVINGROOM



**JSC 61**  
CBM : 0.1627m<sup>3</sup>



**JTV 151 D**  
CBM : 0.1338m<sup>3</sup>

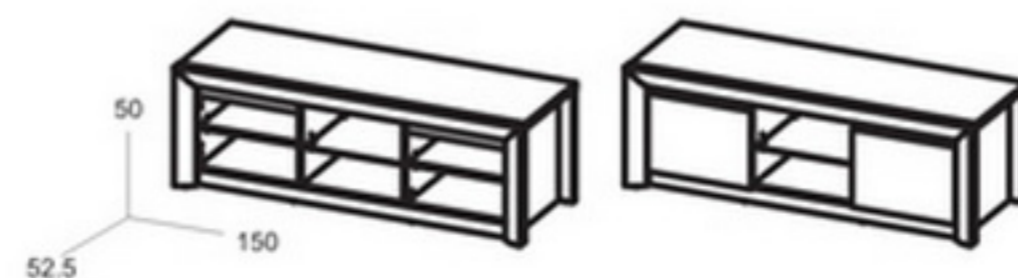


**JET 60**  
CBM : 0.0734m<sup>3</sup>



**JCT 120**  
CBM : 0.1012m<sup>3</sup>

**JCT 121D**  
CBM : 0.1186m<sup>3</sup>

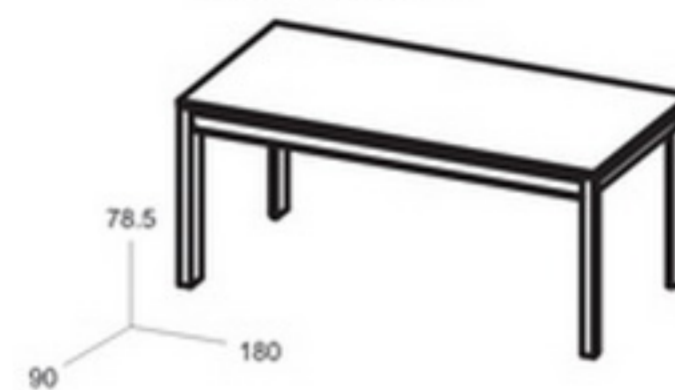


**JTV 150**  
CBM : 0.1338m<sup>3</sup>

## DININGROOM



**JSC 108**  
CBM : 0.2237m<sup>3</sup>



**JDT 180**  
CBM : 0.2618m<sup>3</sup>



**JSB 196**  
CBM : 0.2325m<sup>3</sup>