



PRO DESIGN®  
Furniture For Everyone



BATAVIA series



# The Manufacturing Process

**Material.** Using the finest material combined with high technology machinery and qualified human resources to bring you the best quality home furniture.



**Machinery.** Using high-technology machinery to produce a state-of-the-art product with modern design. We adopt European based production system with the highest standard in the world.

**Precision.** Measurement is very crucial in furniture industry. We have a strict inspection for each production process, just to make sure every delivered product have the same dimension as the prototype.

**Distribution.** Solid distribution channel and good management teamwork will deliver the finished goods to our loyal customer.

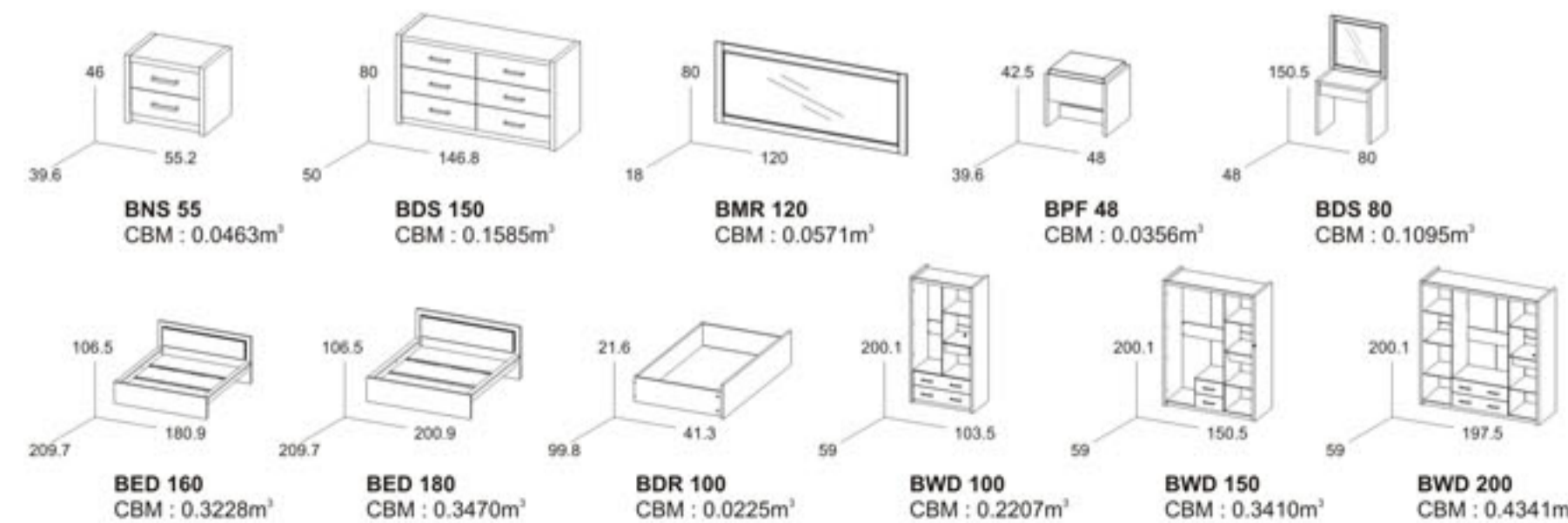
All products shown in color : Teak  
All specifications shown in centimeter.



# BEDROOM



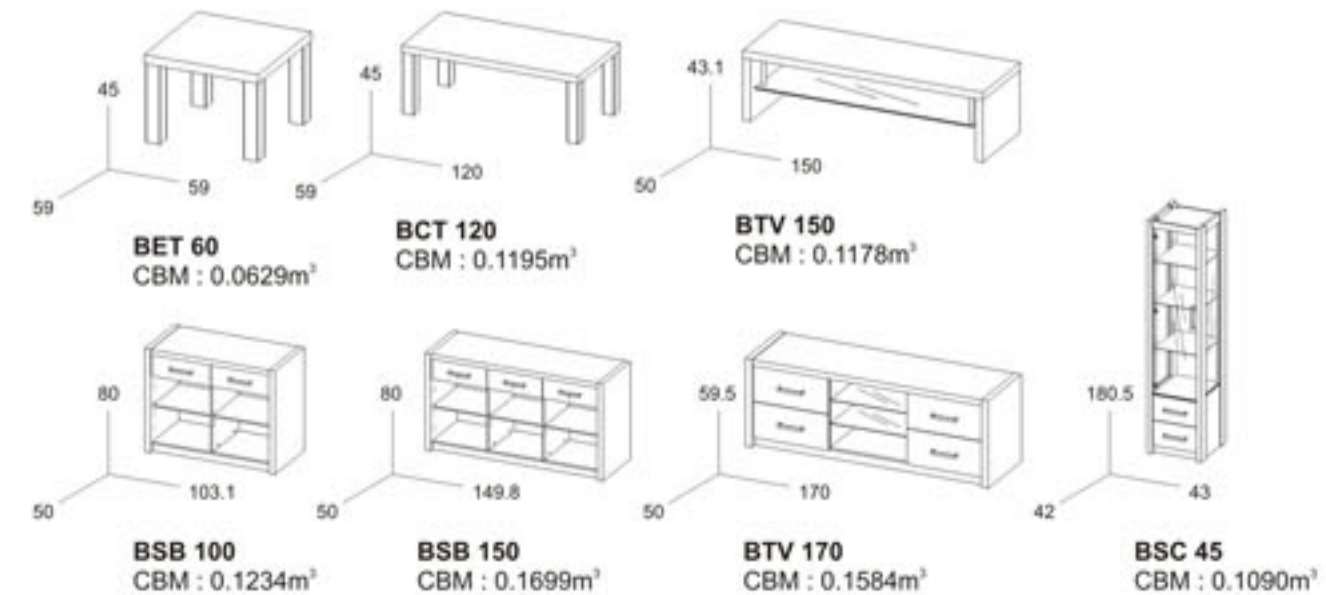
**Master Bed Room.** Compact style and perfect combination, can provide a chance for everybody to taste the sparkles than are sliding way from life.







**Innovation.** Everyday will turnout fine. Or at least one that is better than one without BATAVIA LIVING ROOM series. True innovation design yet inspiring to create a new way of living.

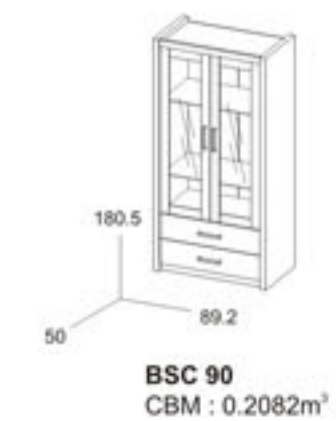
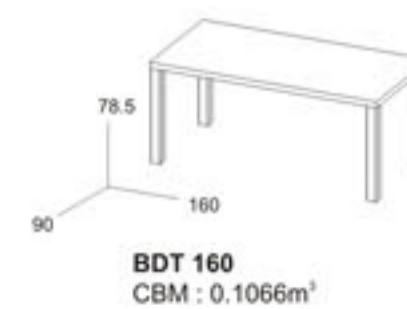




# DININGROOM



**Cozy.** You can create your very own personal unique ambience with a beautiful single units from **BATAVIA** that you can put together to suit your own taste just like extension units and so almost reinvent them.







**Power.** Excellent design always a key characteristic of this all-round genius among office furnitures. Ergonomic is the key of success. Attractive yet comfortable to keep you stay focus on your daily job.

