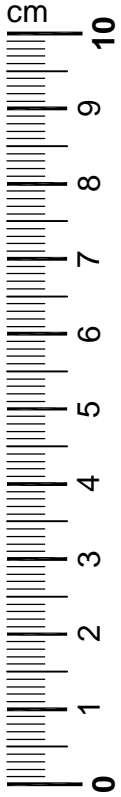
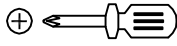
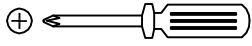
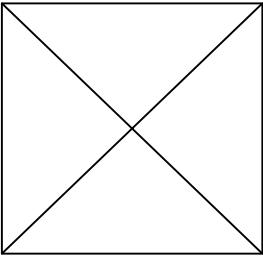
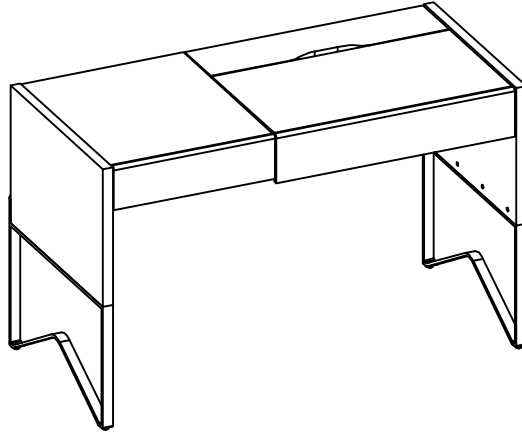
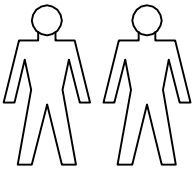
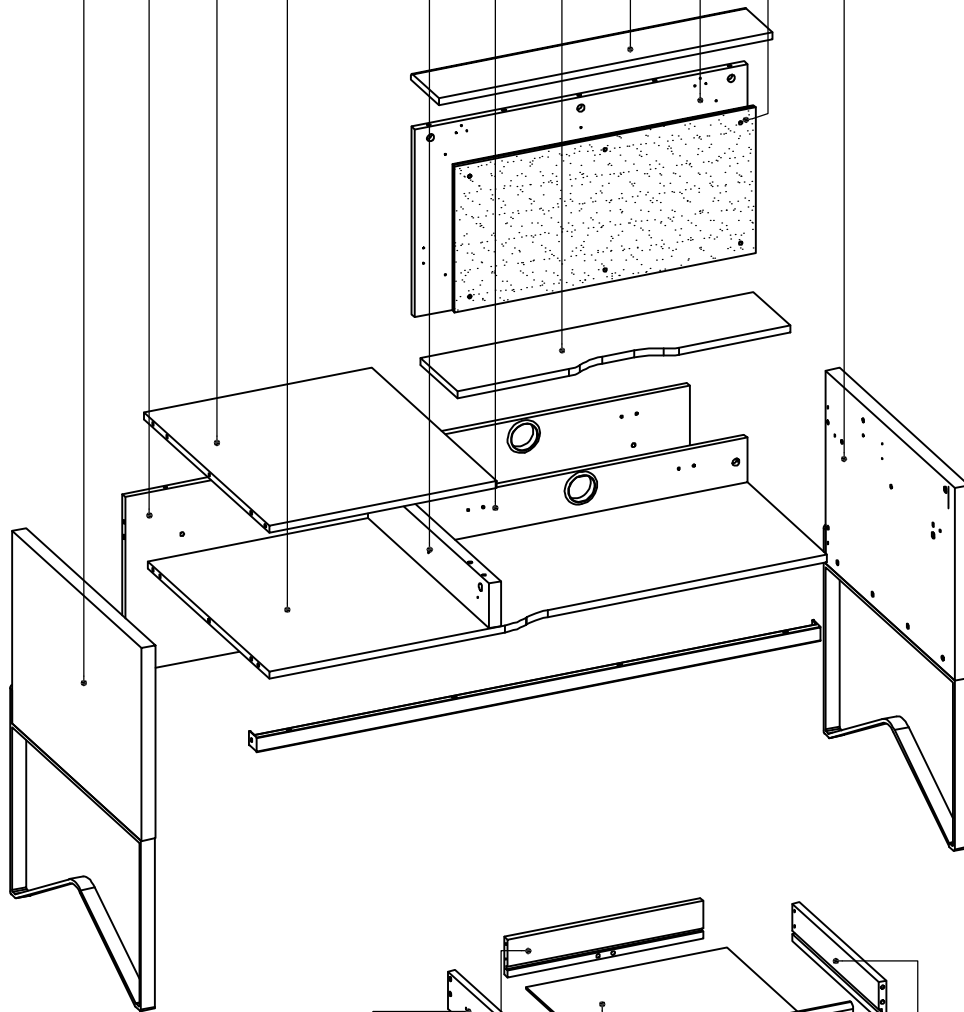


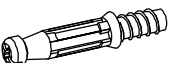



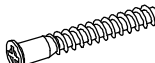
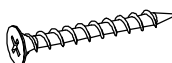

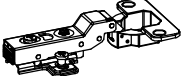
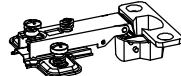



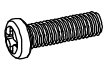
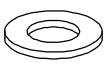
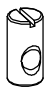
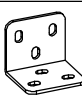


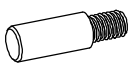


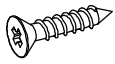
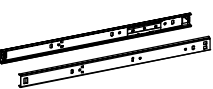
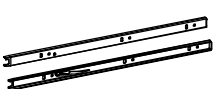
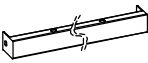
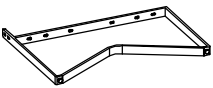

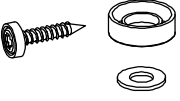
ZUMA S



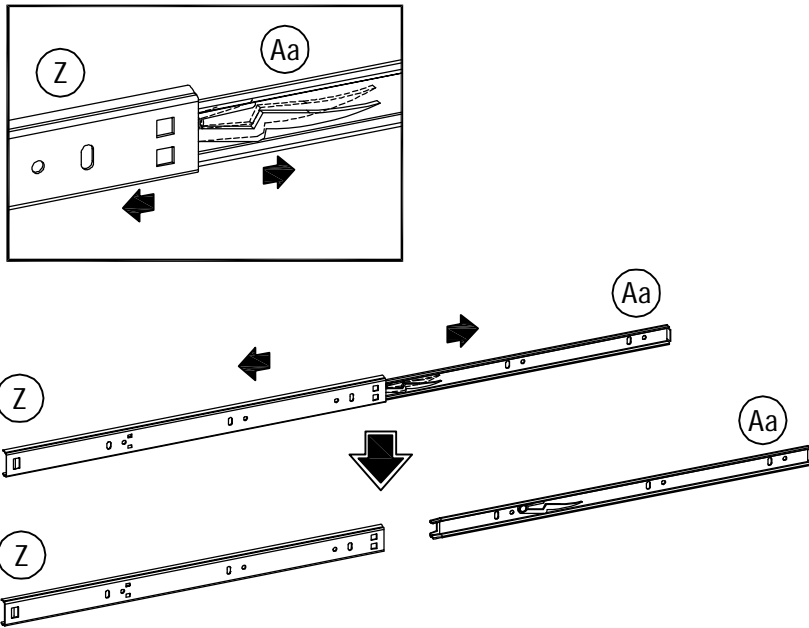
- 6
- 10
- 3
- 4
- 7
- 9
- 1
- 8
- 2
- 11
- 5



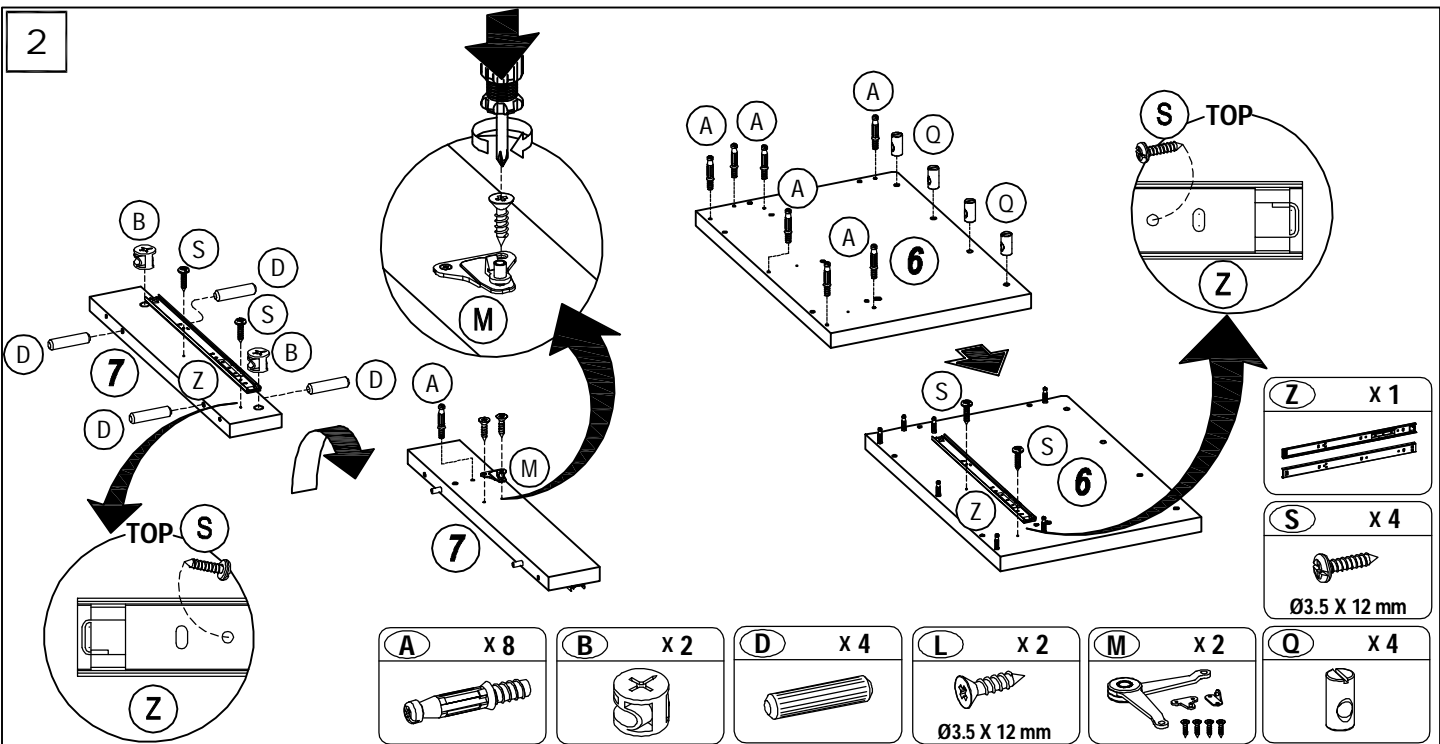
- 14
- 15
- 16
- 17
- 12
- 13

A x 22	B x 22	C x 22	D x 30	E x 15	F x 4
					
G x 12	H x 2	J x 2	K x 4	L x 4	M x 2
			 Ø4 X 16 mm	 Ø3.5 X 12 mm	 TTTT
N x 2	P x 2	Q x 8	R x 2	S x 22	T x 2
				 Ø3.5 X 12 mm	
U x 1	V x 1	W x 2	Y x 2	Z x 1	Aa x 1
			 Ø3.5 X 19 mm		
Ab x 1	Ac x 2	Ad x 1	Ae x 6		
					

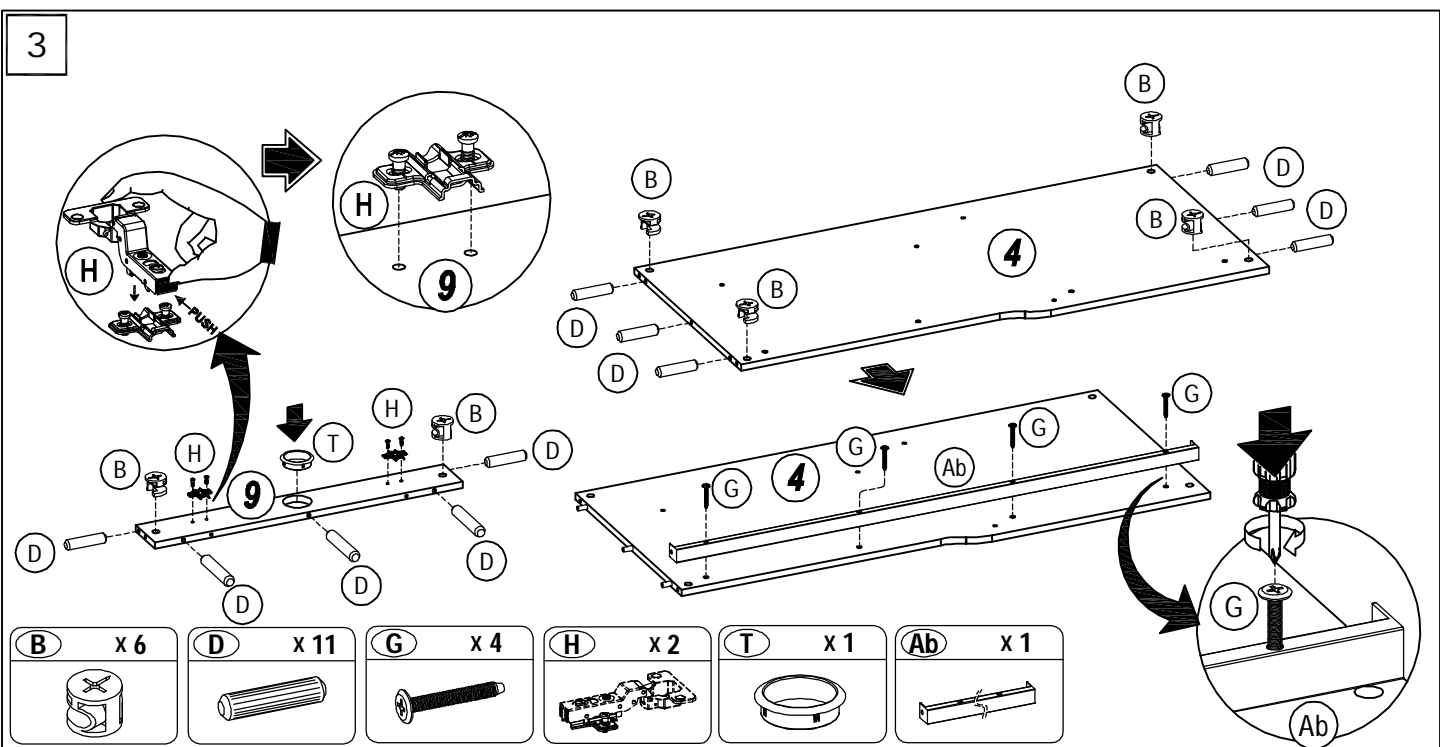
1



2



3



4

C	x1
----------	----

5

A	x9
----------	----

B	x3
----------	----

M	x2
----------	----

Q	x4
----------	----

D	x2
----------	----

L	x2
----------	----

Ø3.5 X 12 mm

6

E	x4
----------	----

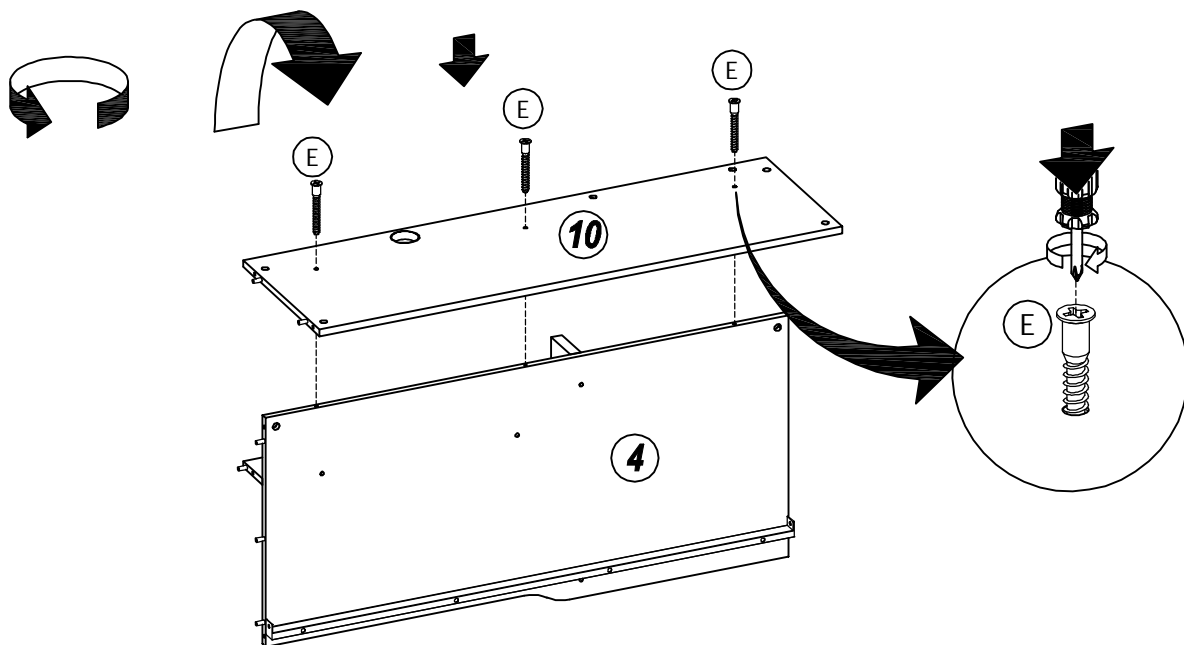
7

B	x6
----------	----

D	x5
----------	----

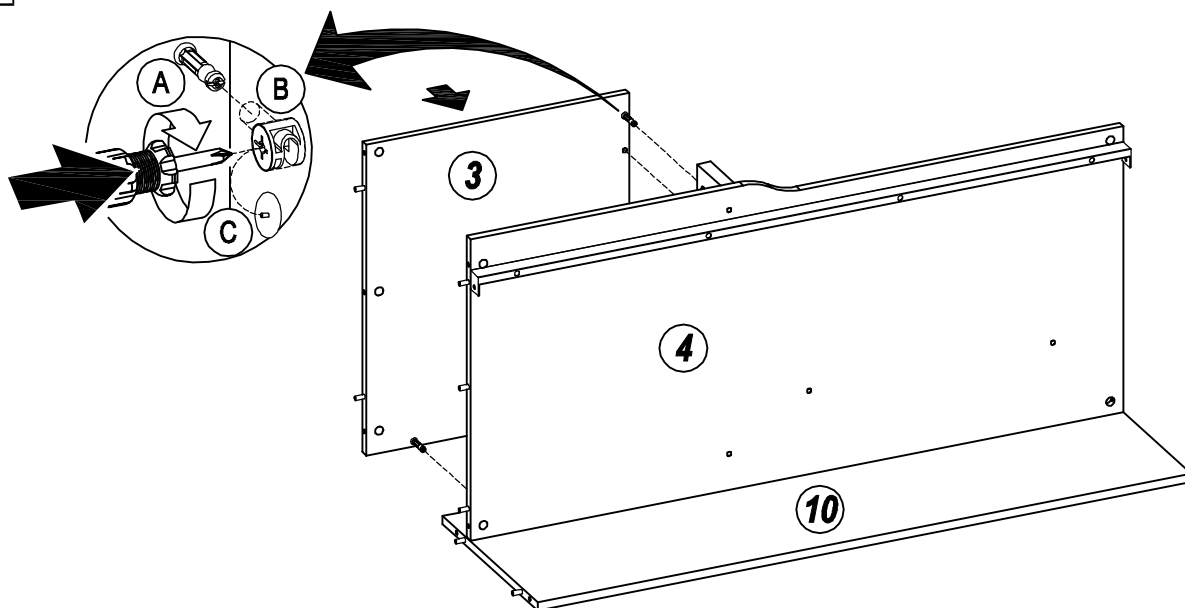
T	x1
----------	----

8



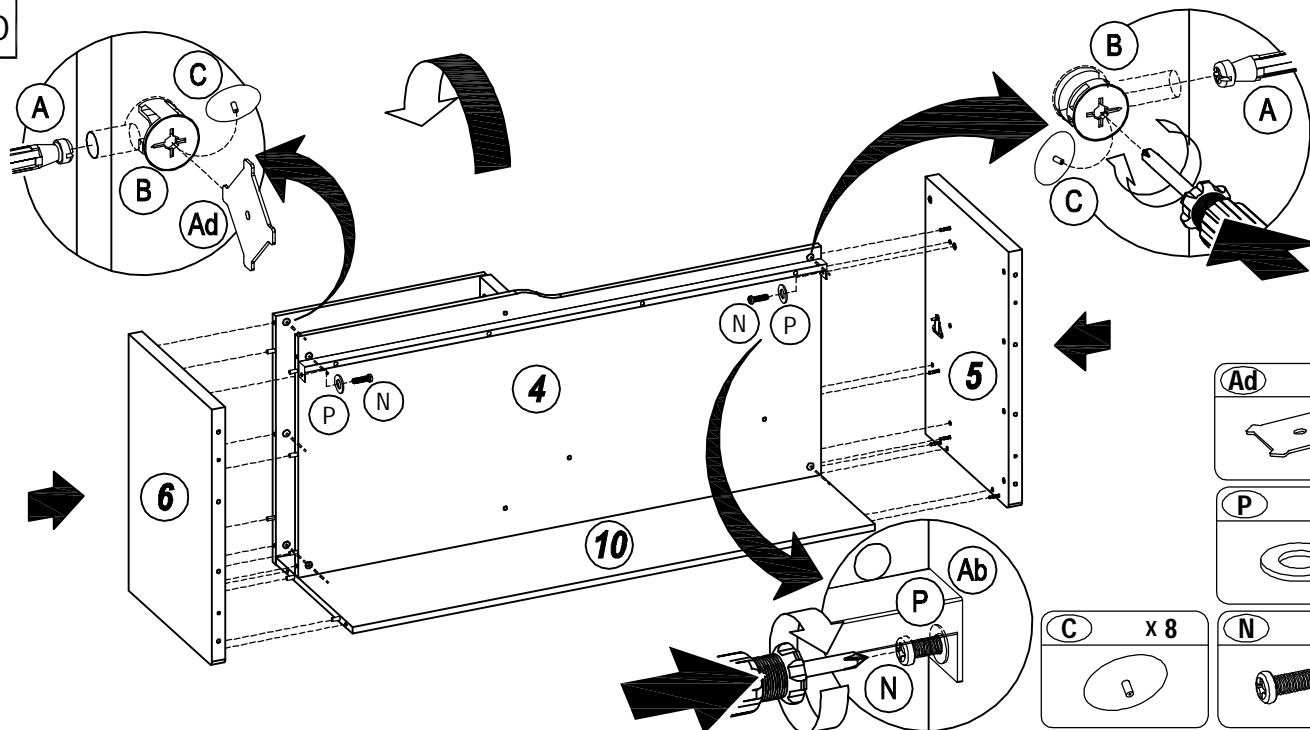
E	x 3

9



C	x 2

10



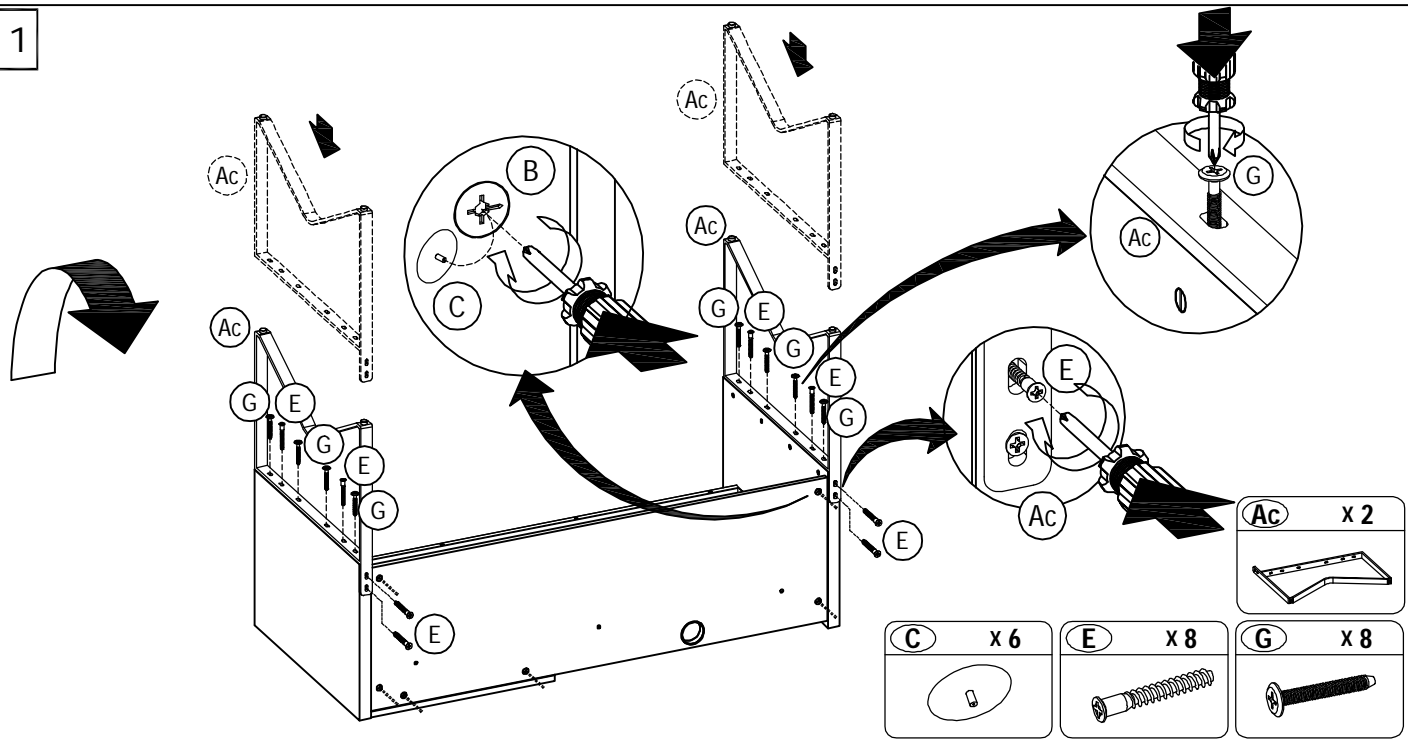
Ad	x 1

P	x 2

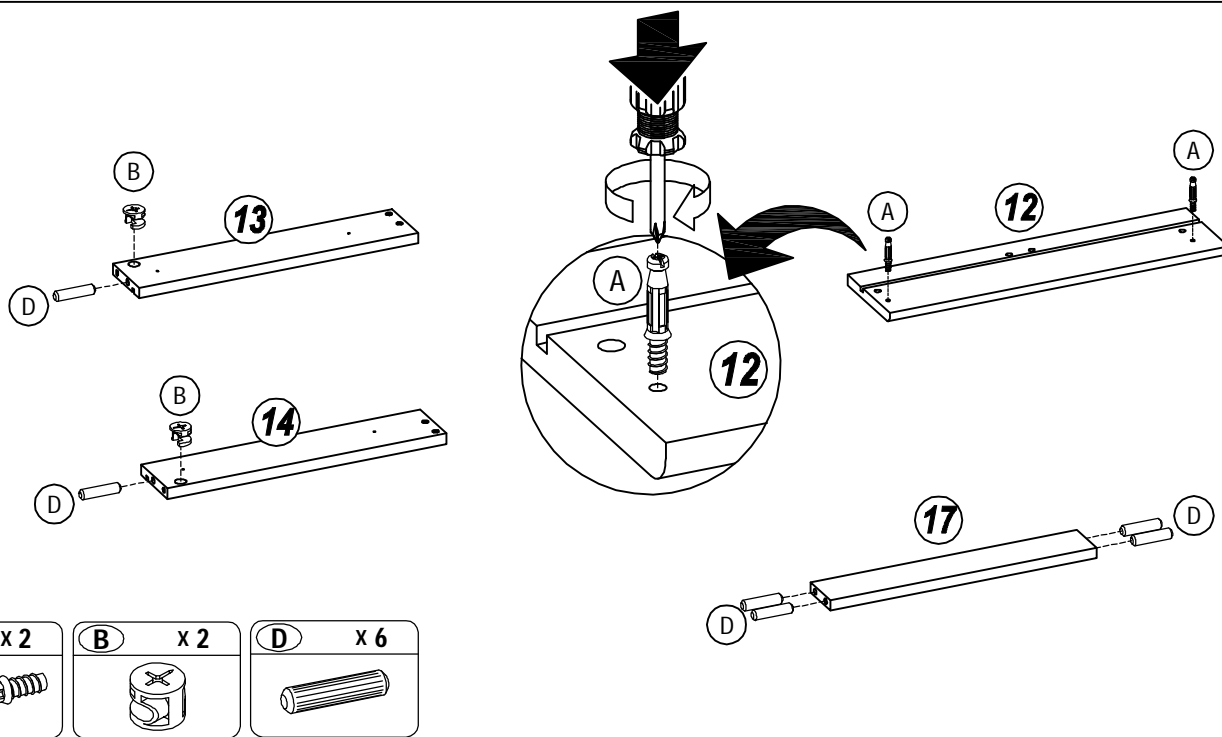
C	x 8

N	x 2

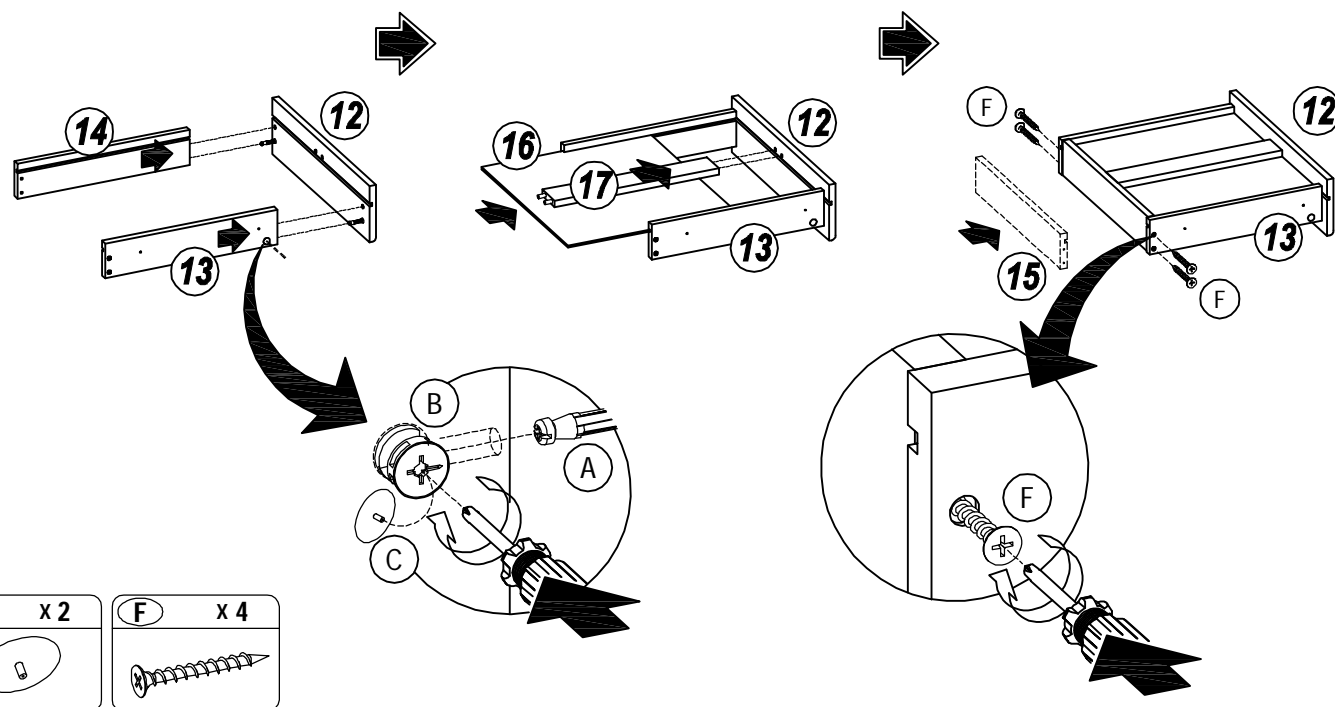
11



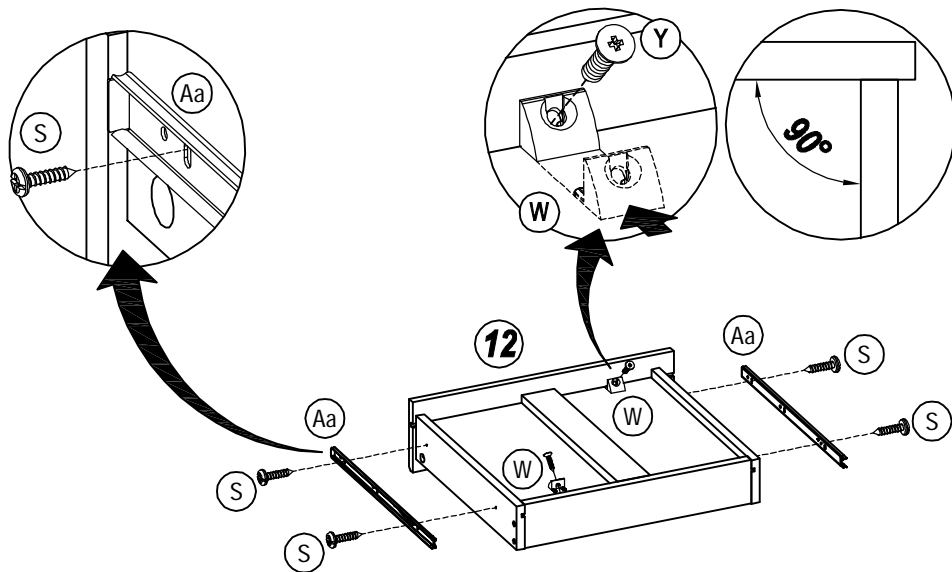
12







13

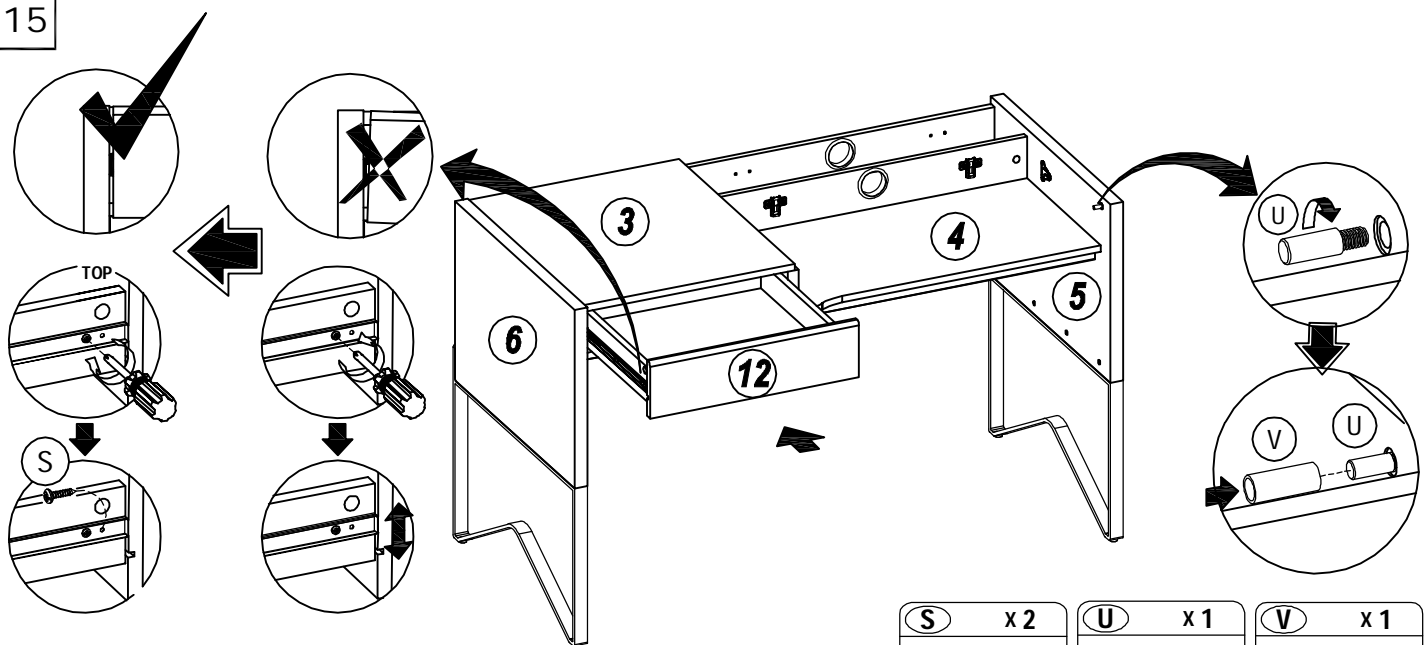




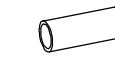
14



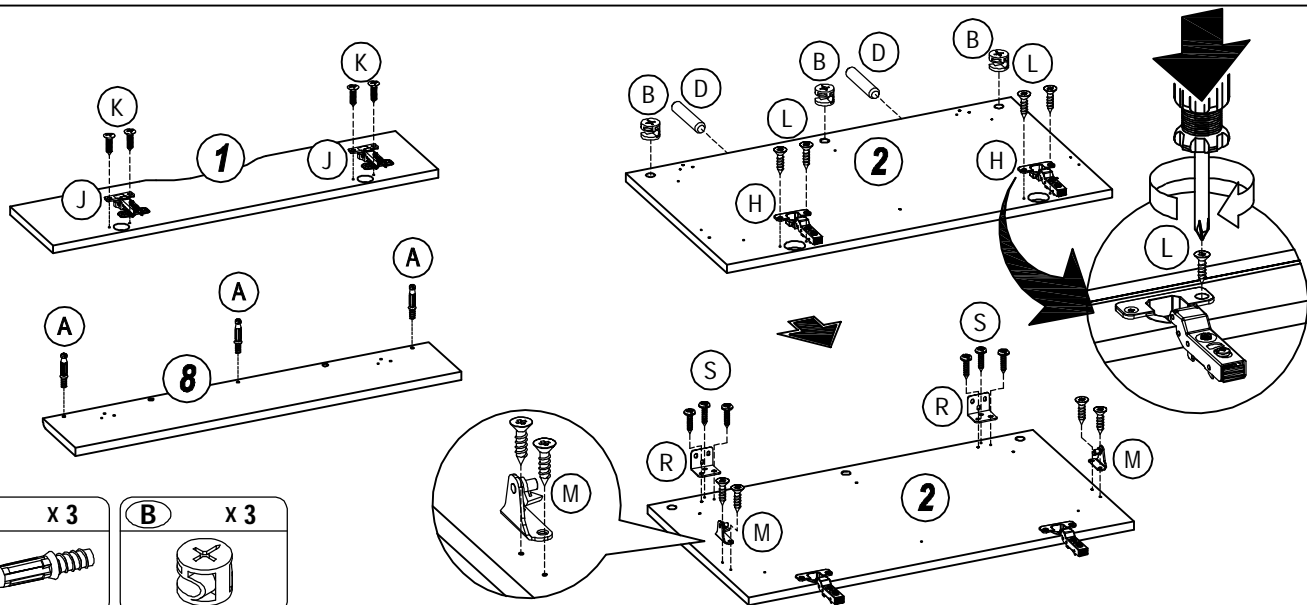
S x 4	W x 2	Y x 2	Aa x 1
 Ø3.5 X 12 mm		 Ø3.5 X 19 mm	

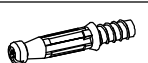









15



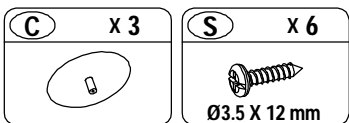
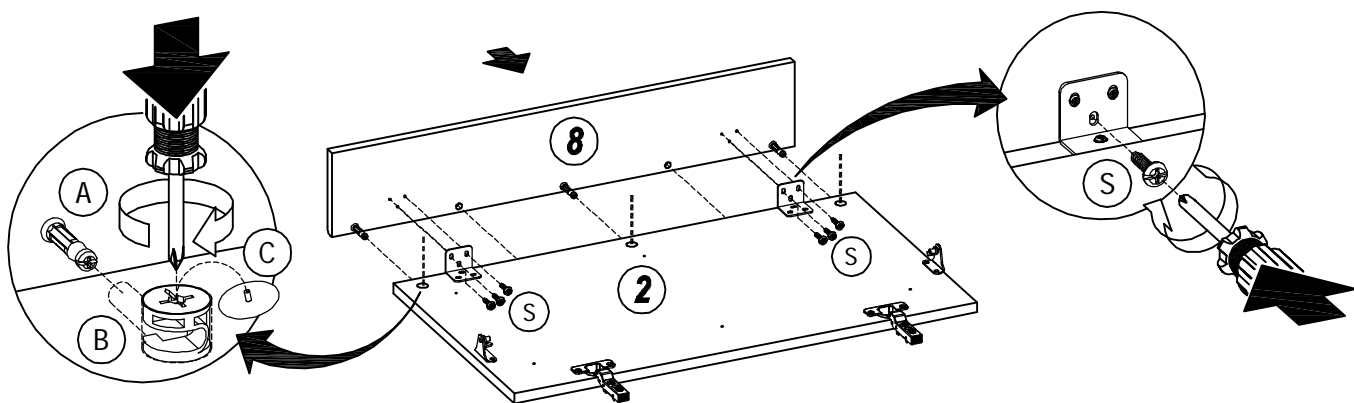
S x 2	U x 1	V x 1
 Ø3.5 X 12 mm		

16

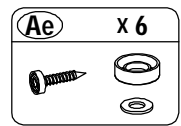
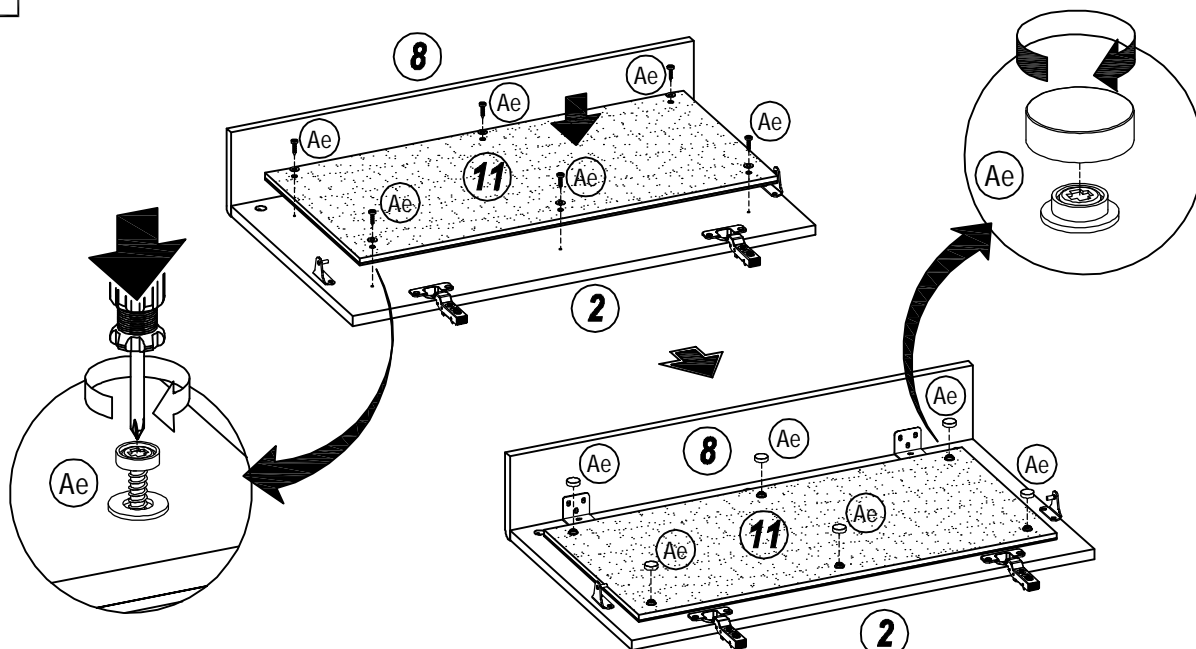


A x 3	B x 3	D x 2	H x 2	J x 2	K x 4	L x 4	M x 2	R x 2	S x 6
					 Ø4 X 16 mm	 Ø3.5 X 12 mm			 Ø3.5 X 12 mm

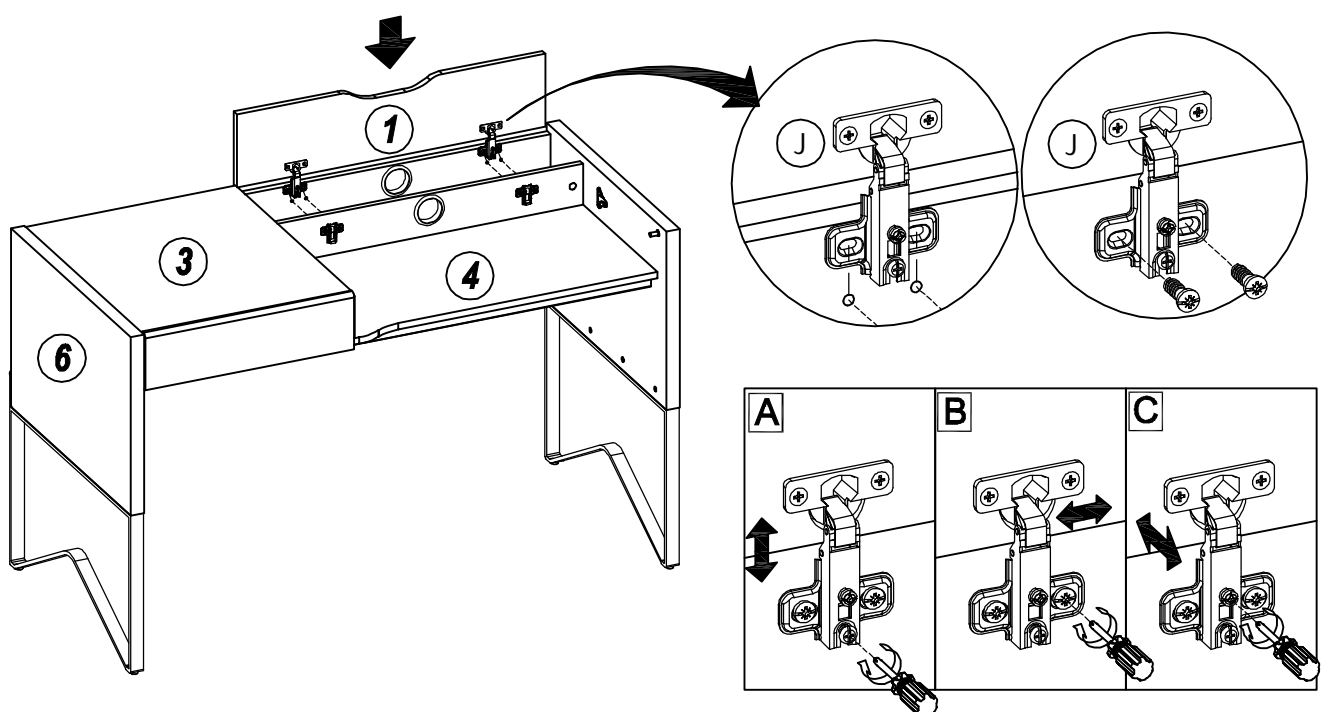
17



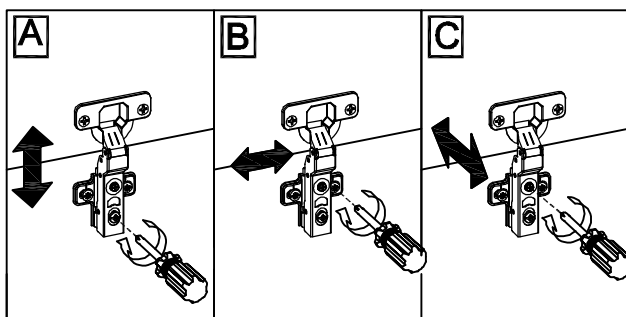
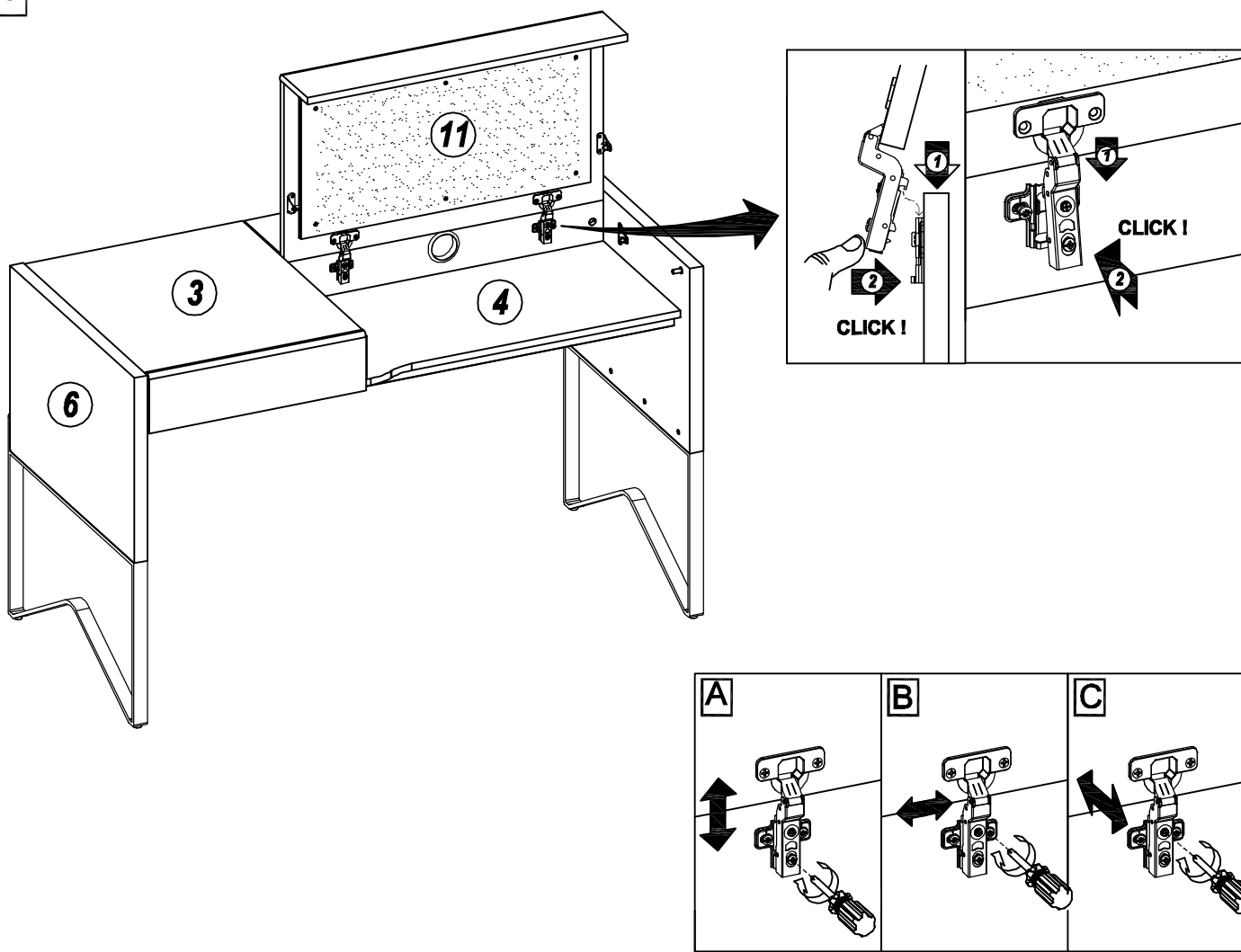
18



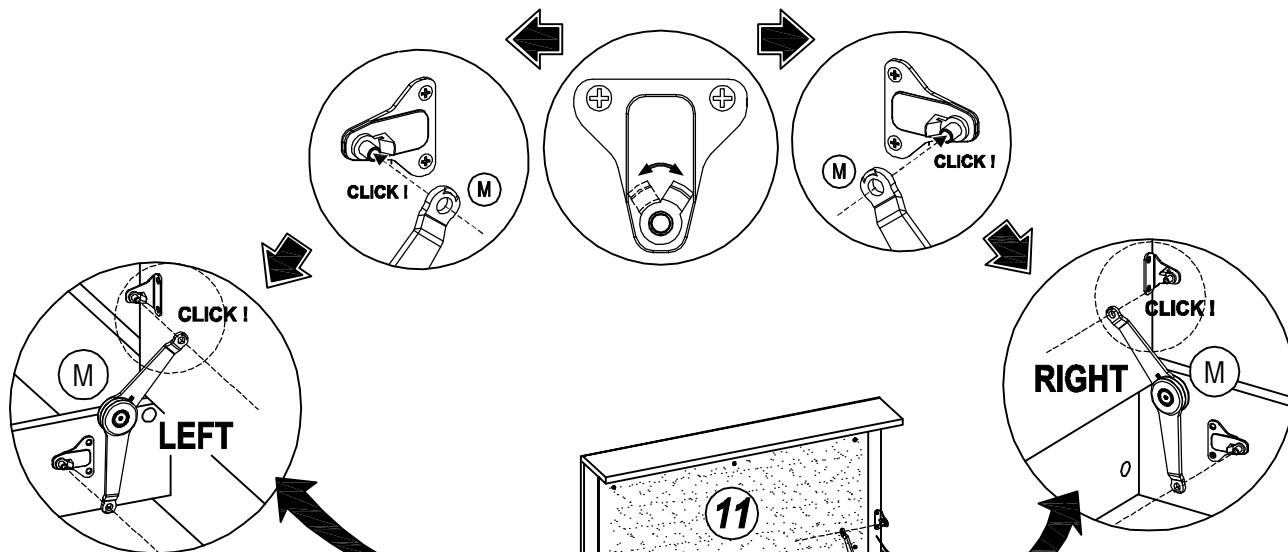
19



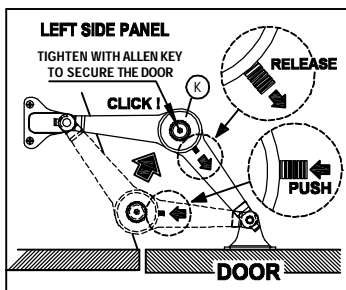
20



21



FOLLOW THE STEPS BELOW AFTER THE FLAP FITTING ATTACHED



FOLLOW THE STEPS BELOW AFTER THE FLAP FITTING ATTACHED

