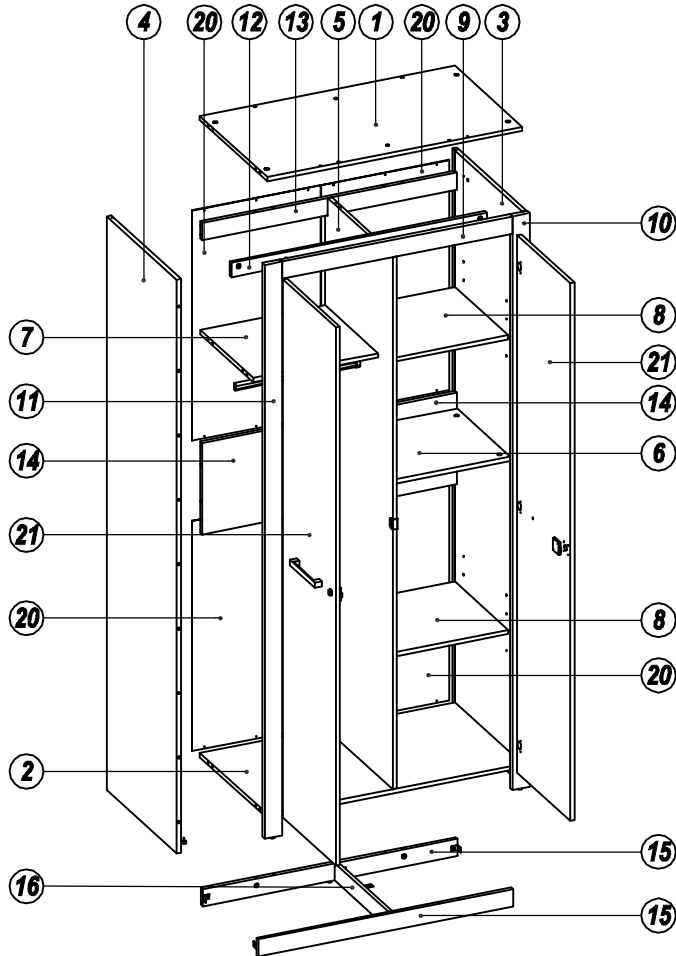
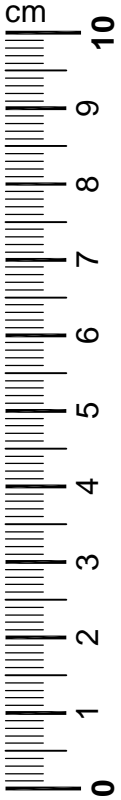
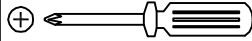
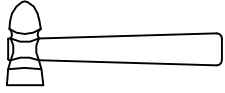
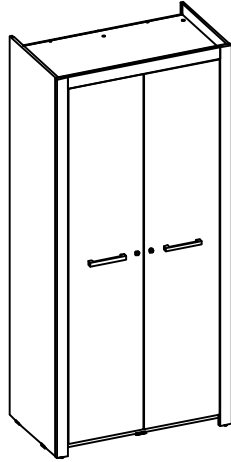
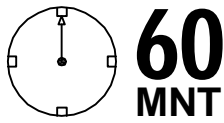
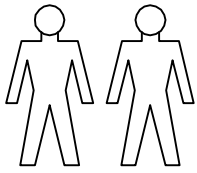
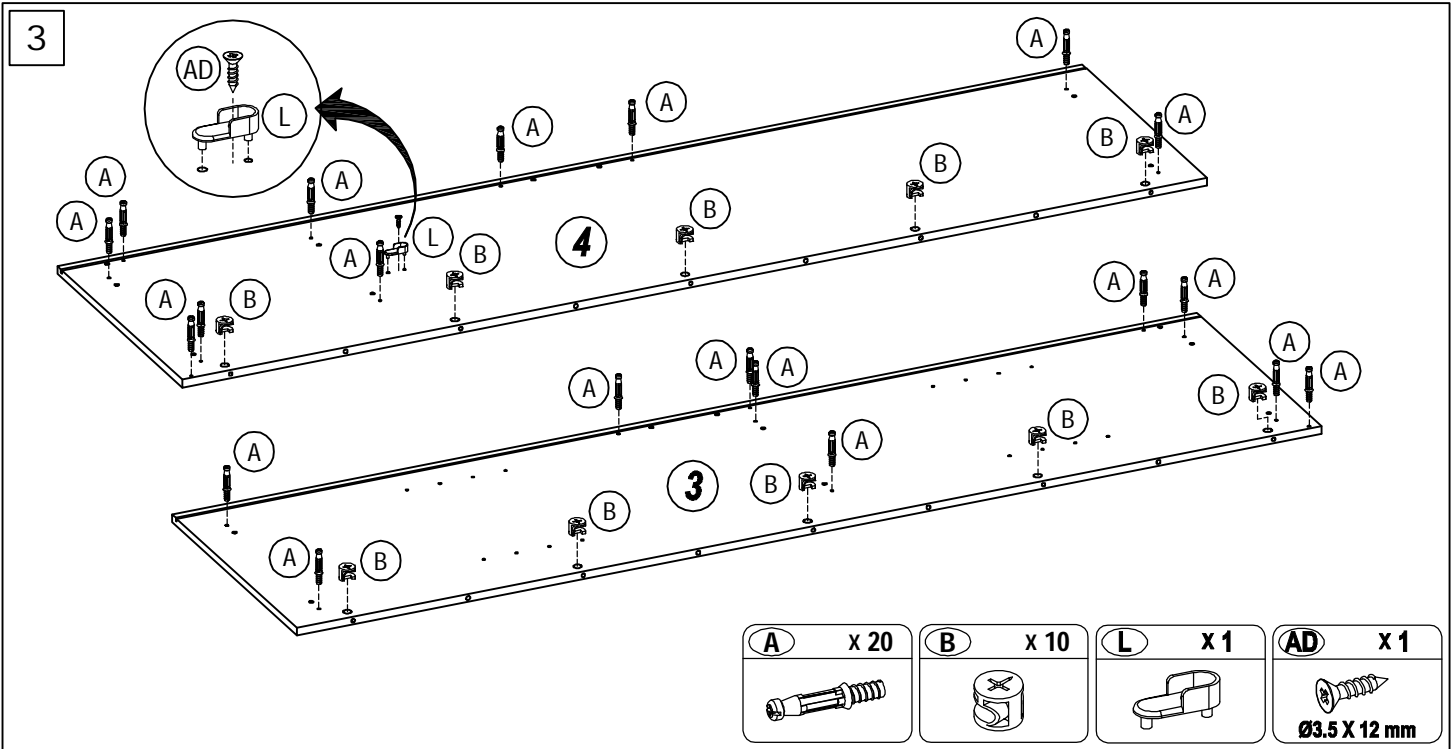
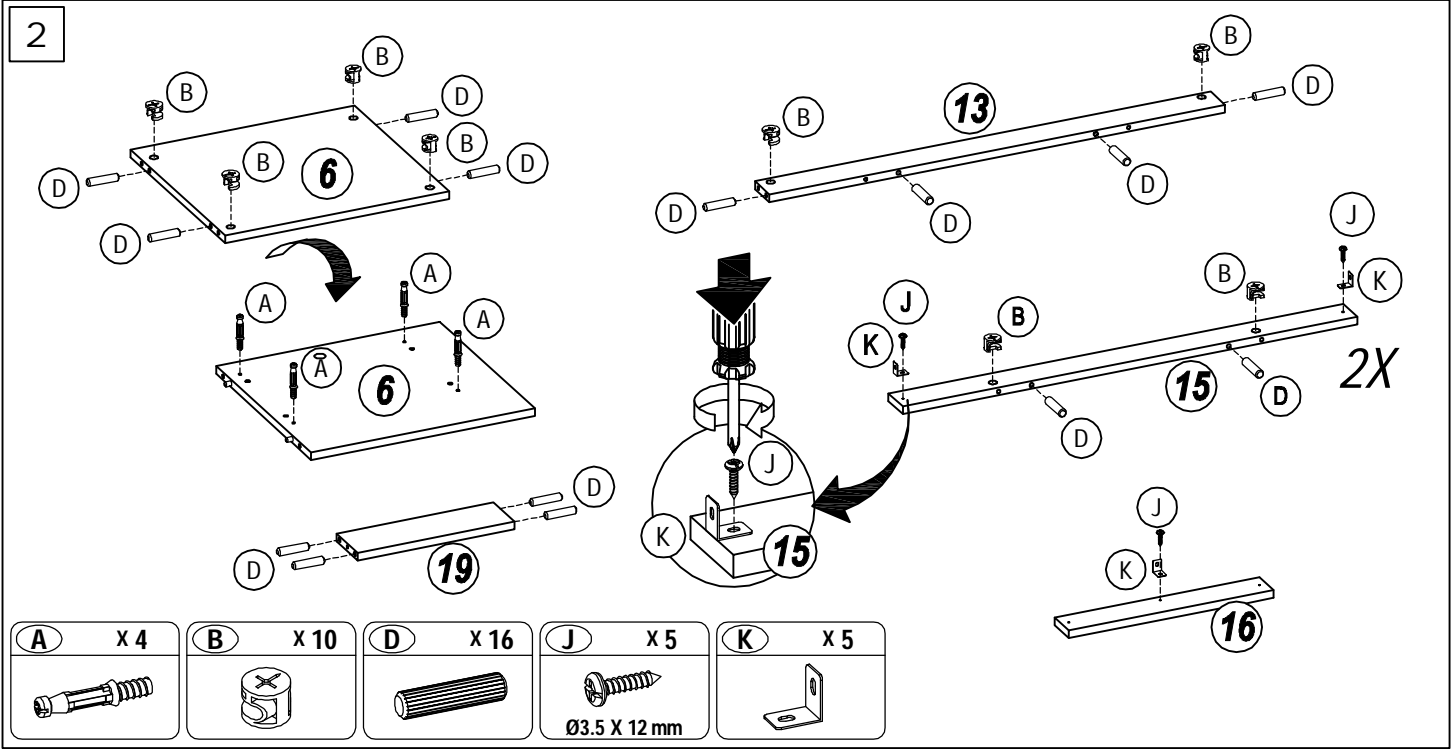
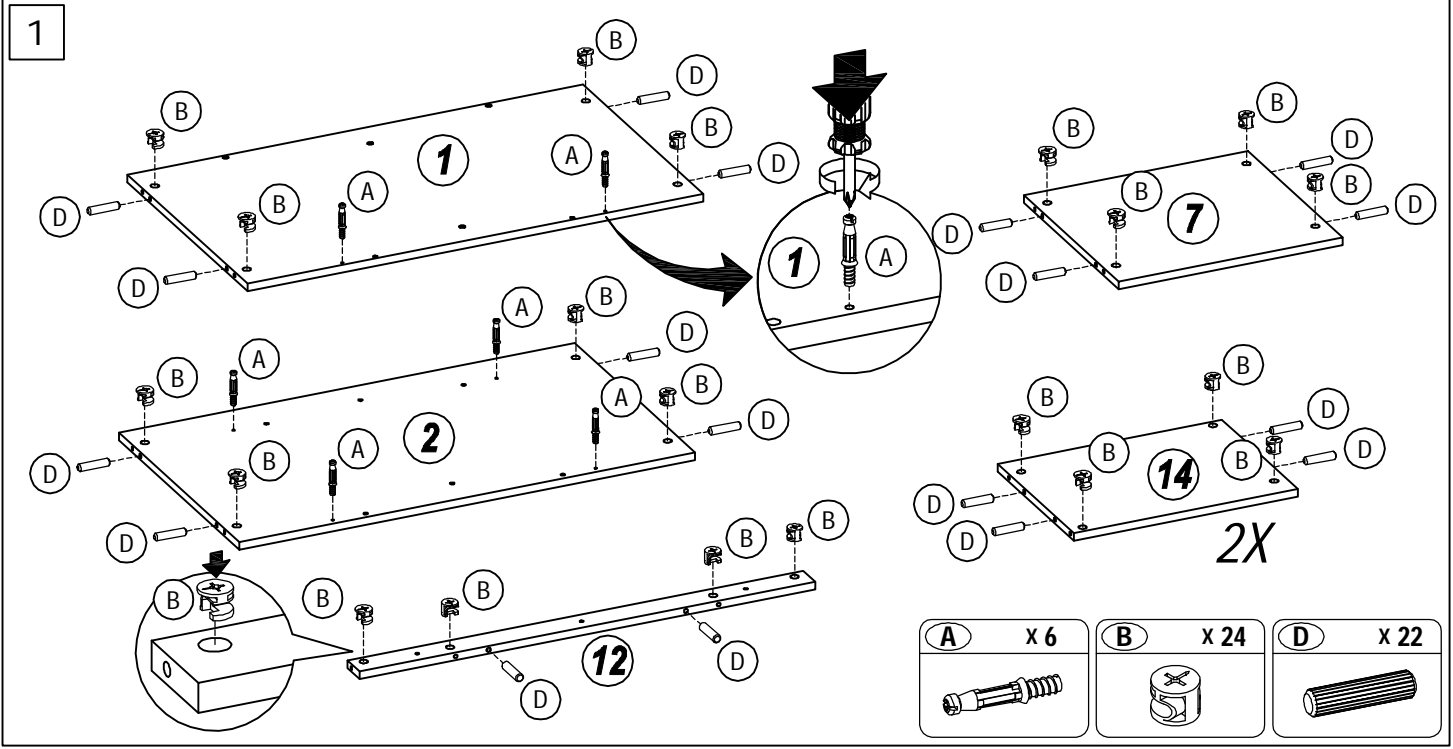


ROWD 2



A x 50 	B x 52 	24 25 26 22 23 				18 19 17 		C x 24 	D x 60
E x 2 	F x 2 	G x 8 	H x 8 	J x 20 Ø3.5 X 12 mm 	K x 5 	L x 2 			
M x 1 	N x 2 Ø3 X 12 mm 	P x 3 	Q x 12 Ø3.5 X 19 mm 	R x 4 	S x 3 	T x 3 			
U x 2 	V x 4 	W x 2 	Y x 4 	Z x 10 	AA x 10 Ø3.5 X 19 mm 	AB x 28 Ø3 X 12 mm 			
AC x 6 	AD x 24 Ø3.5 X 12 mm 	AE x 1 	AF x 1 	AG x 1 	AH x 4 	AI x 2 			



4

A x8	D x4	M x1	N x2	L x1	AD x1

5

6

B x4	D x4	J x4	AF x1

7

8

9

(H) x 2

10

(H) x 2

11

(C) x 4

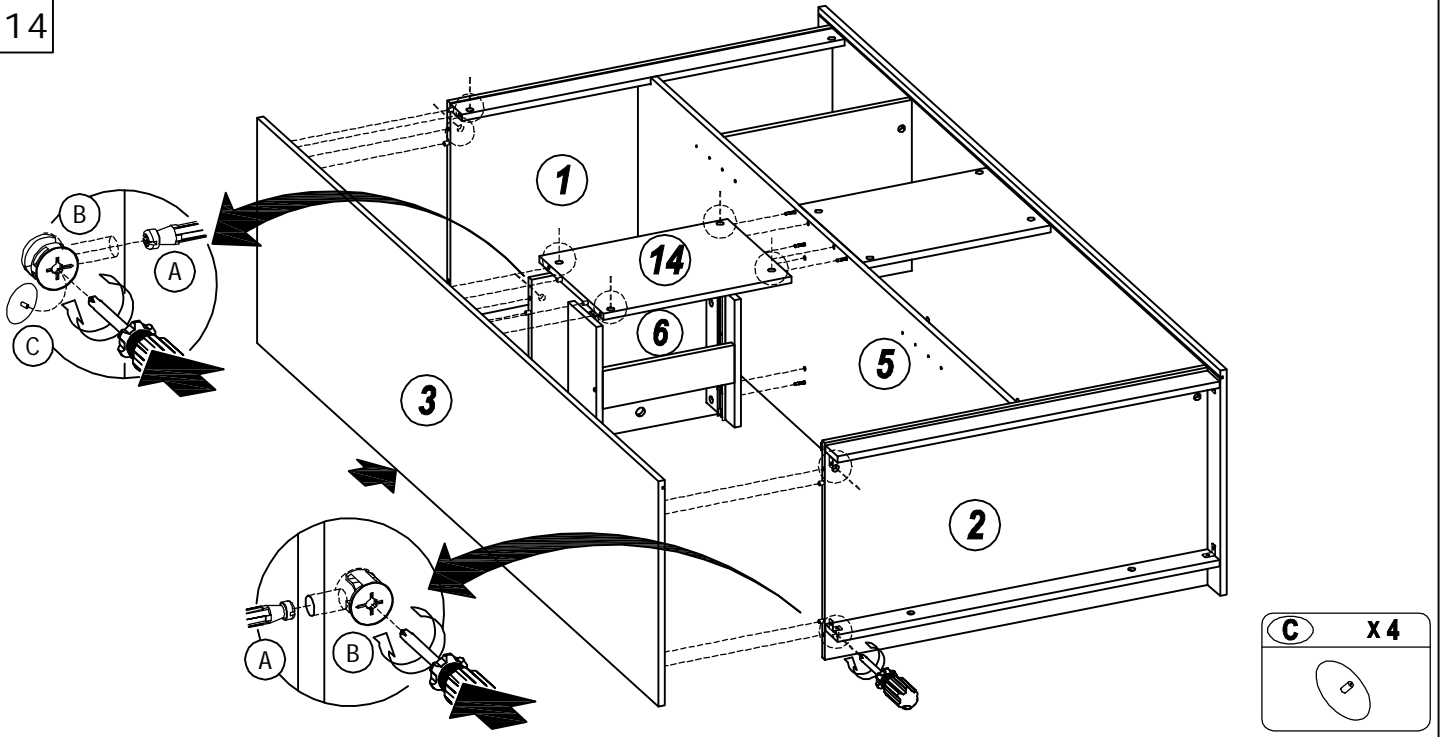
12

(H) x 4

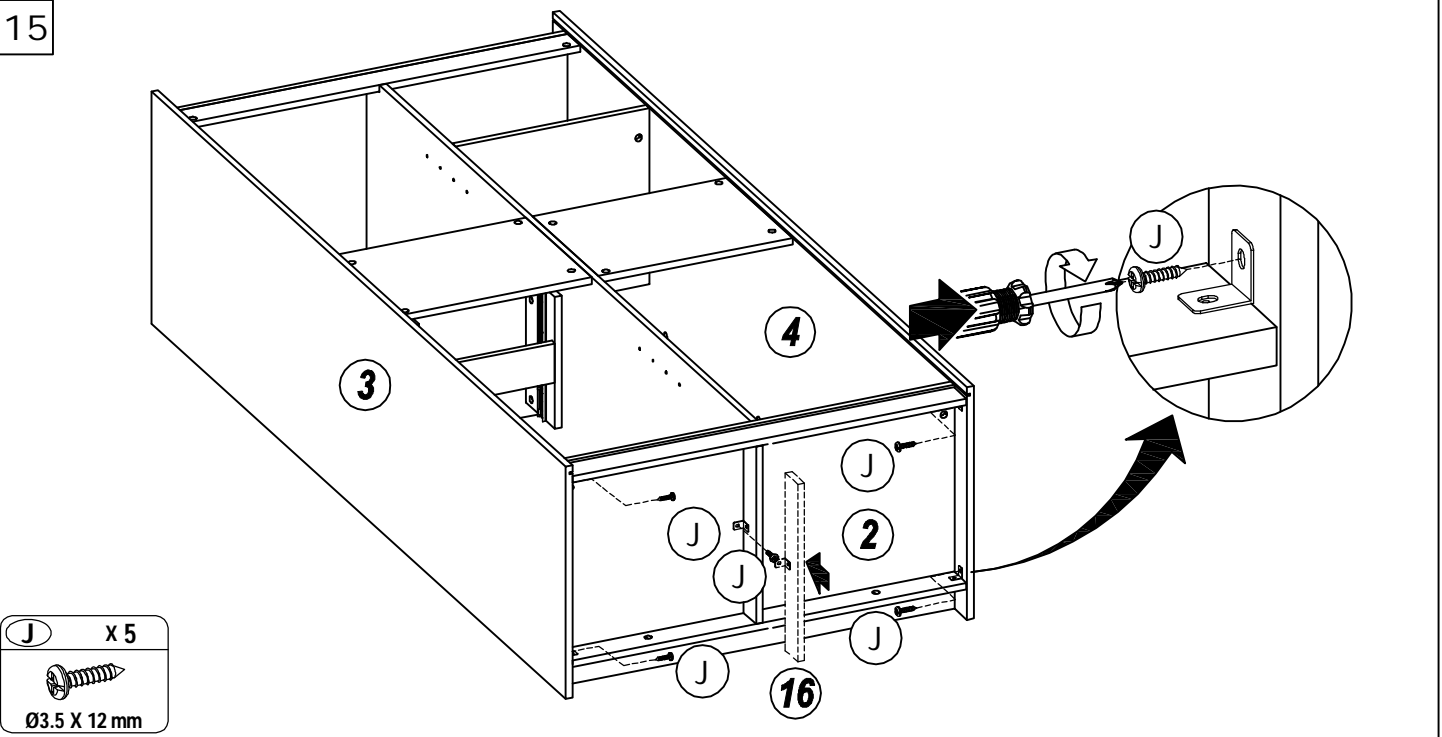
13

(C) x 4

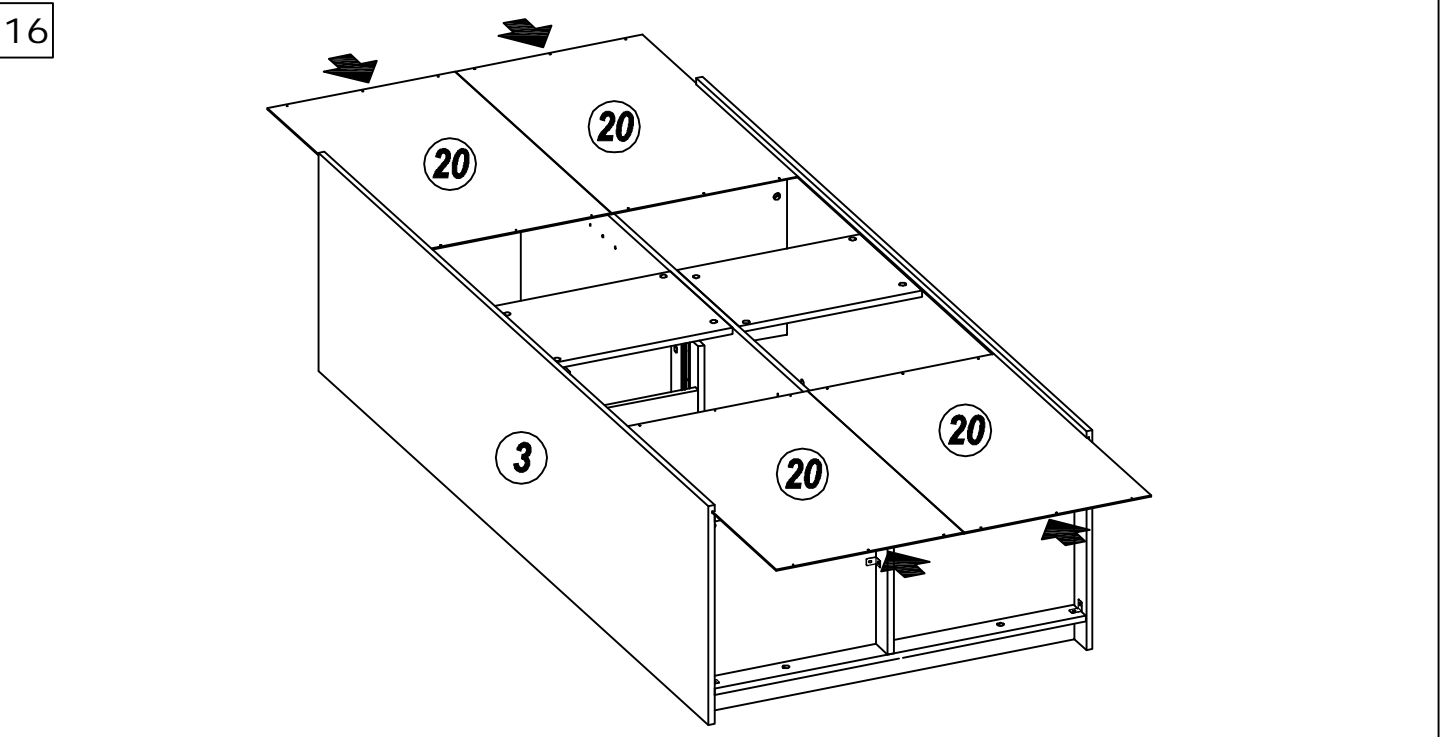
14



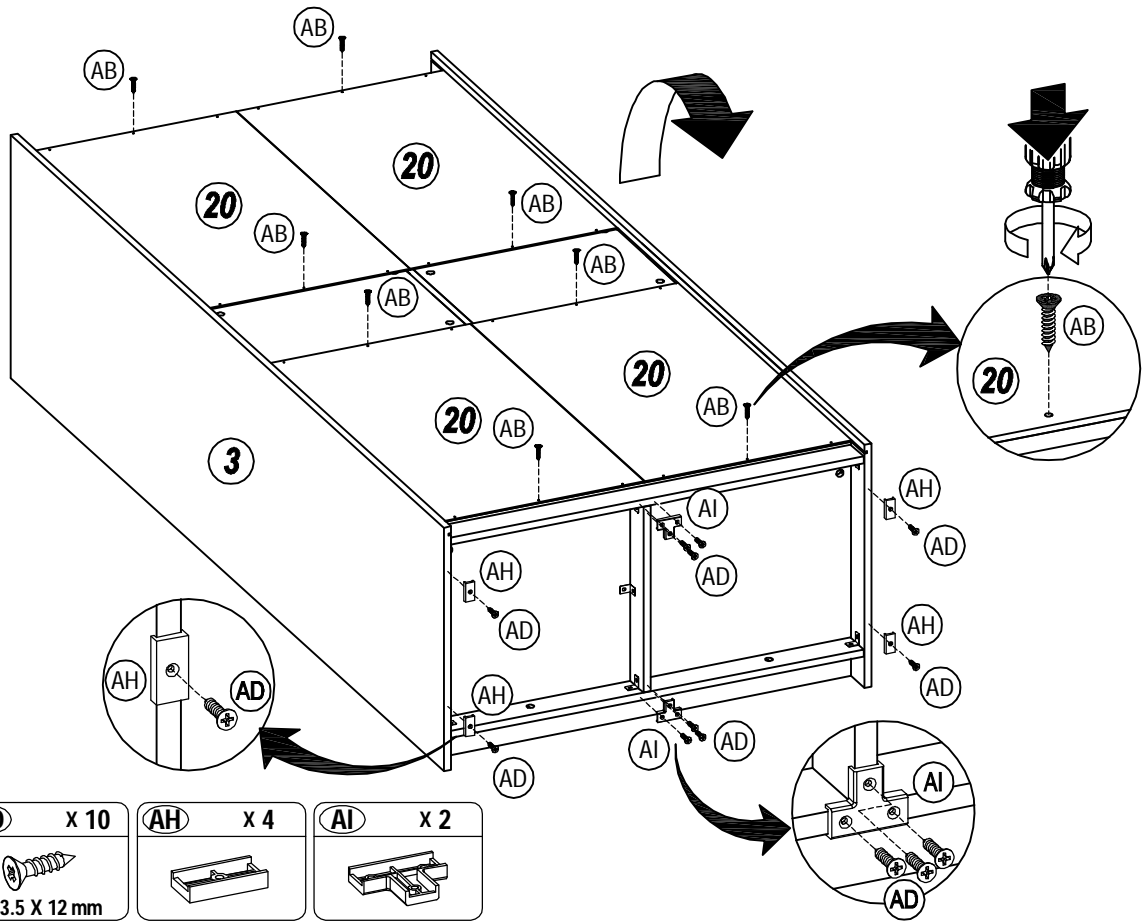
15


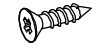

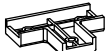


16

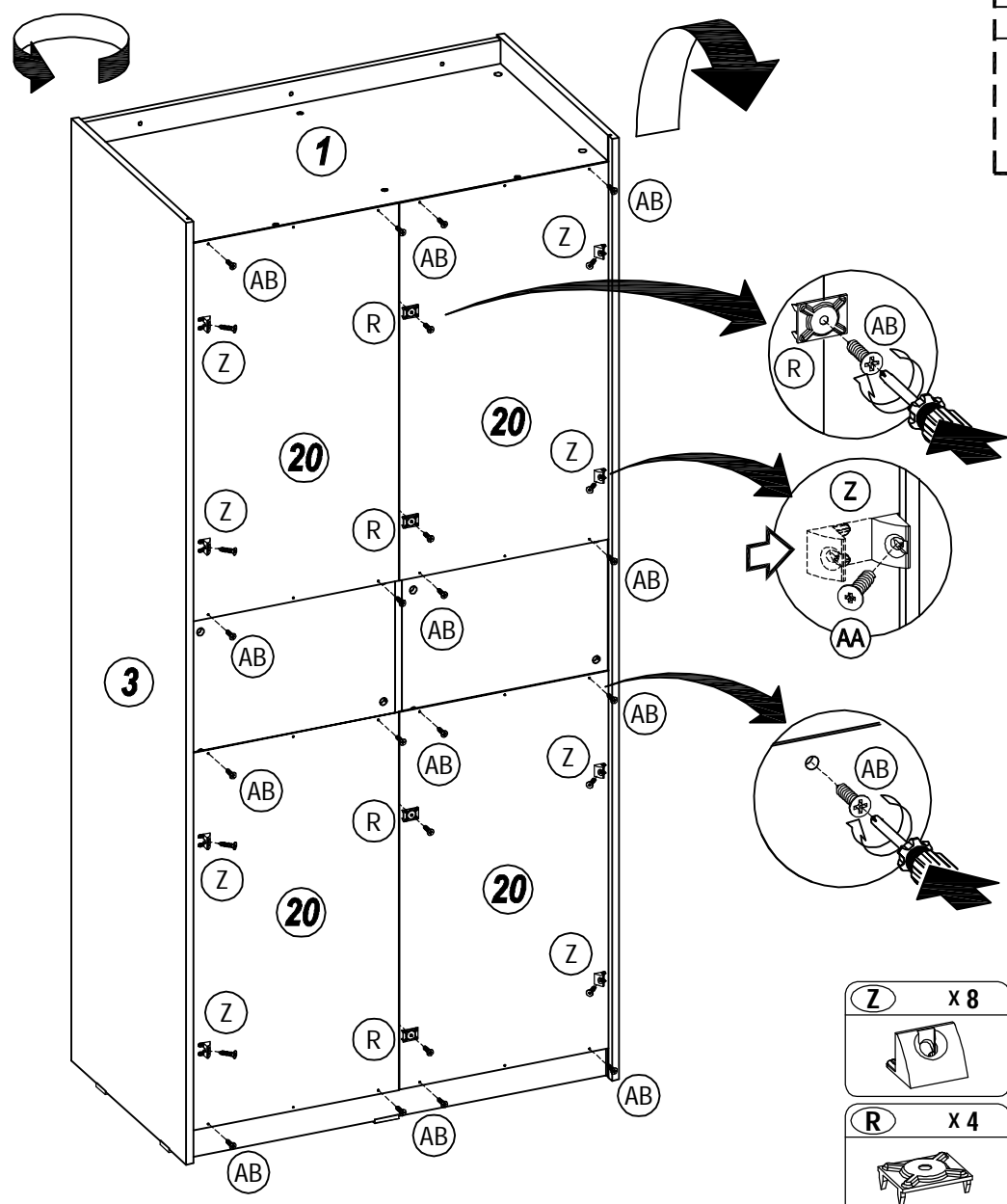






17



AB x 8	AD x 10	AH x 4	AI x 2
			
Ø3 X 12 mm	Ø3.5 X 12 mm		

18



Z x 8	AA x 8
	
	Ø3.5 X 19 mm
R x 4	AB x 20
	
	Ø3 X 13 mm

22

23

24

22

26

24

23

22

24

25

Y

25

Y

24

C x 2	Y x 4

23

J

AG

Z

AA

90°

J

J

J

J

Z

Z

AG

J

J

J x 4	Z x 2	AA x 2	AG x 1
Ø3.5 X 12 mm		Ø3.5 X 19 mm	

24

D

D

D

D

D

D

D

D

4

3

1

D x 8

25

10

11

4

9

3

1

C

A

B

12

T

S

T

S

T

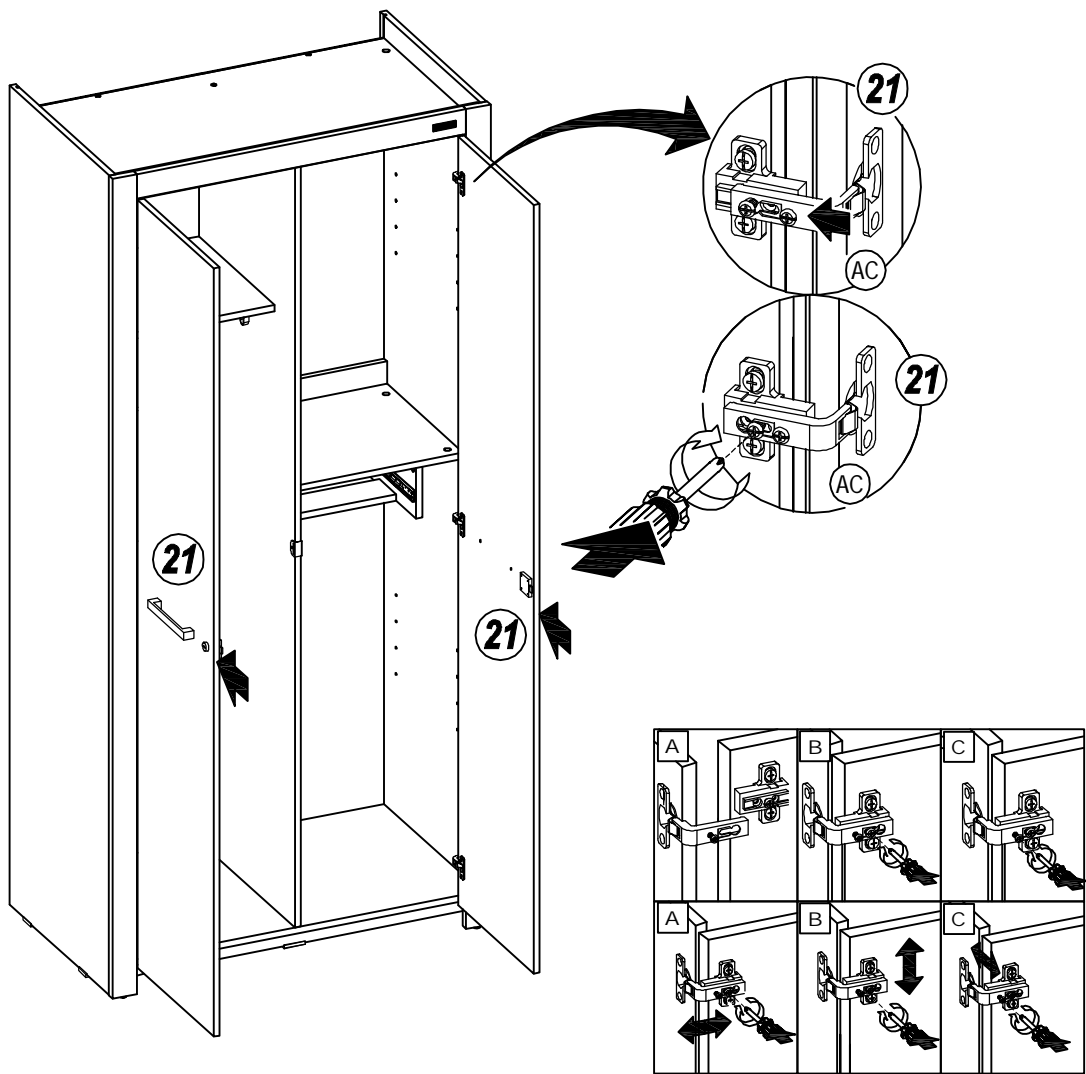
S

T

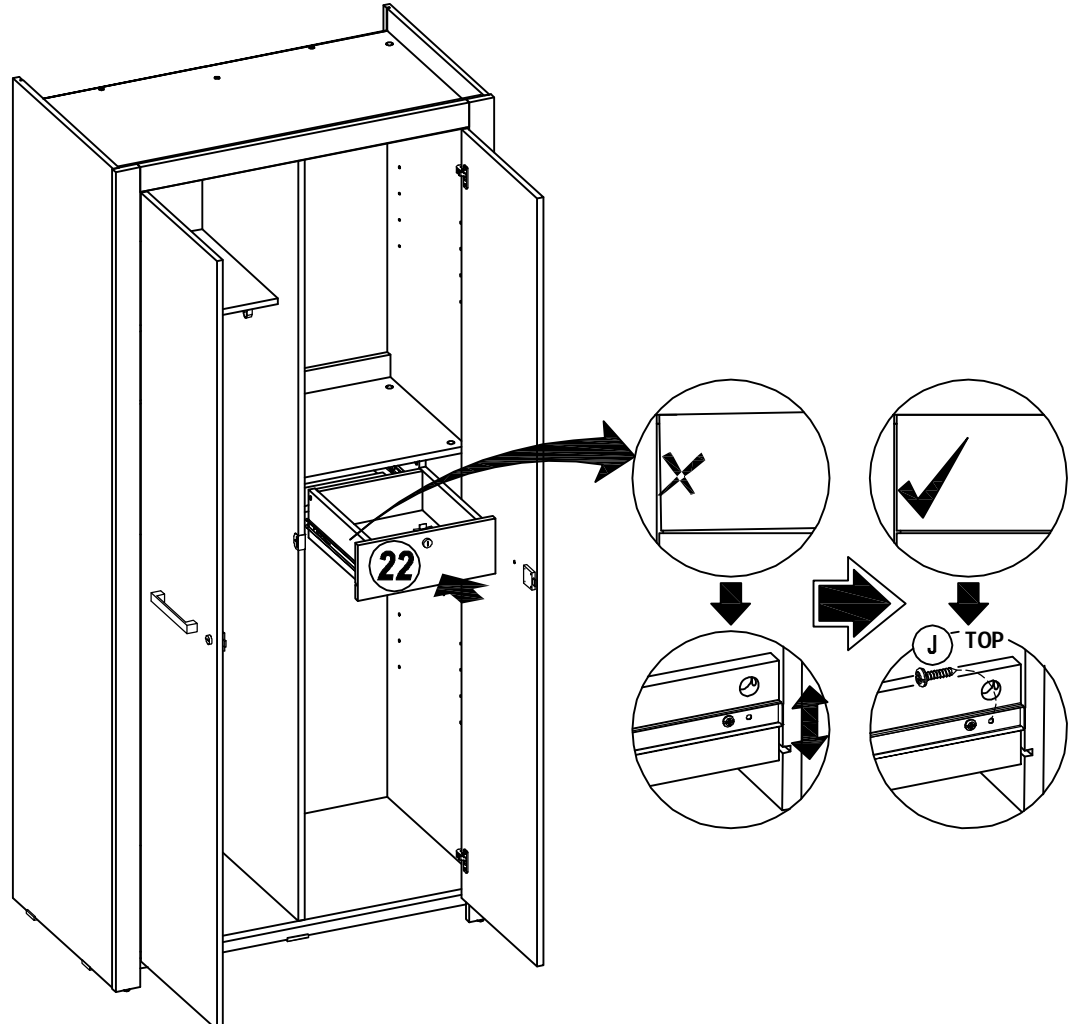
S


C x 10	S x 3	T x 3

26

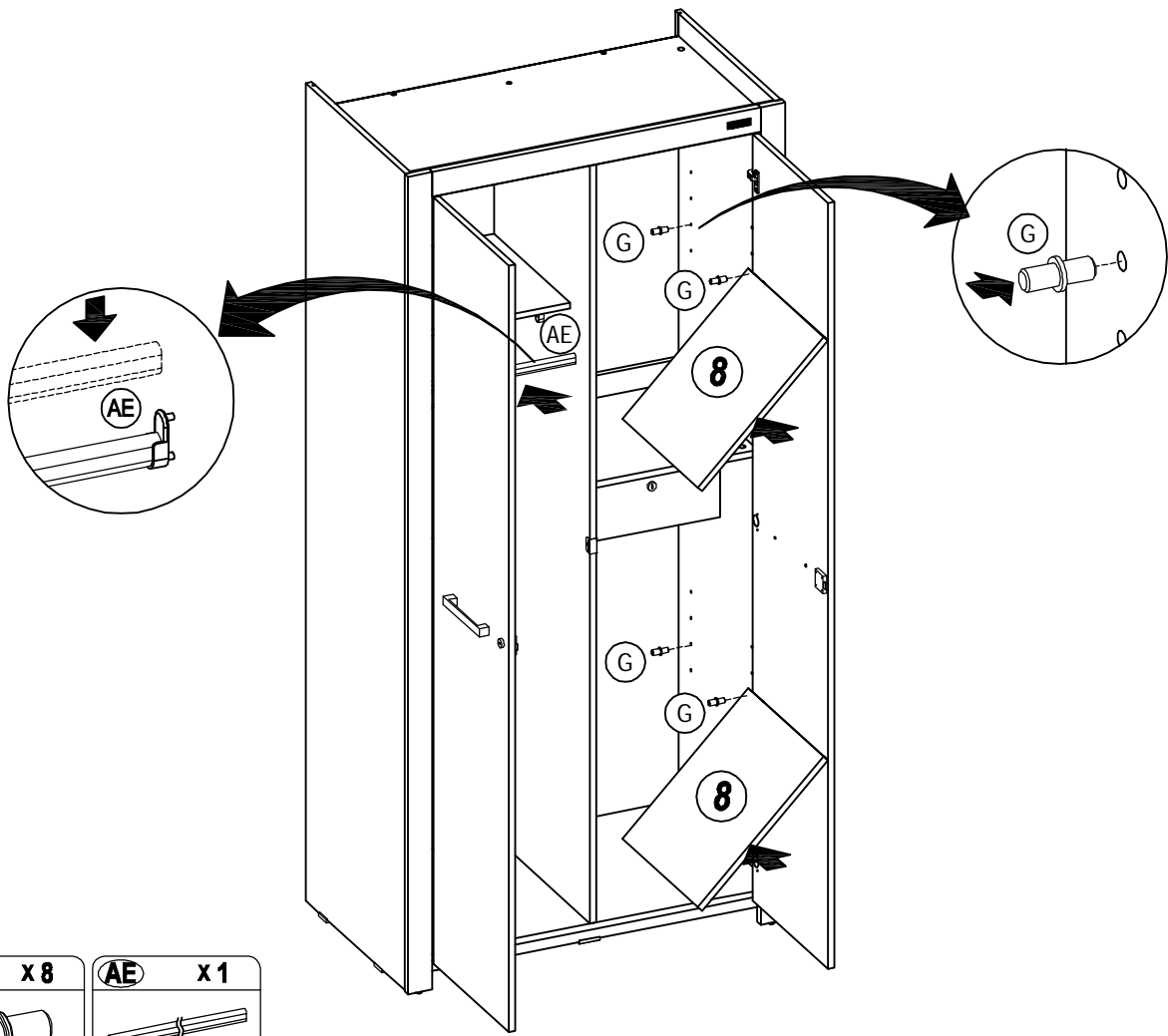


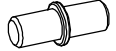

27



J x 2

Ø3.5 X 12 mm

28



G	x 8	AE	x 1
			

29

