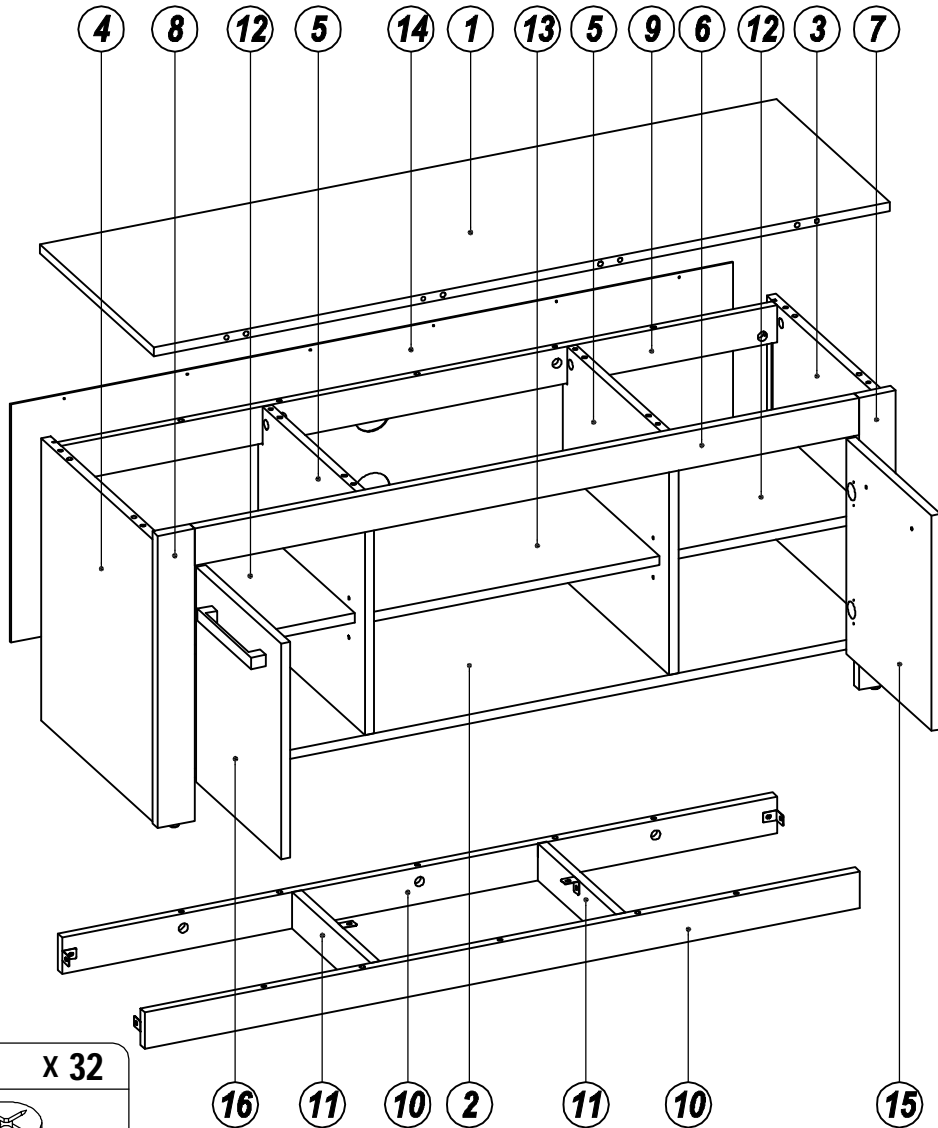
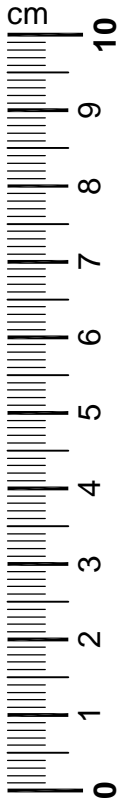
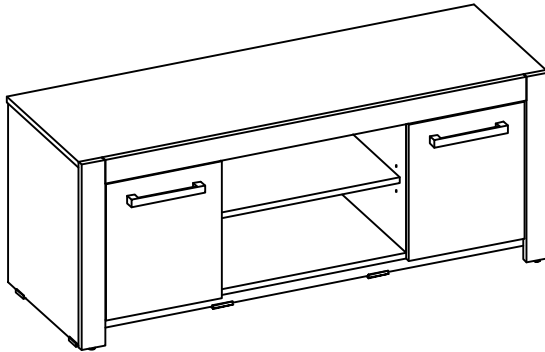
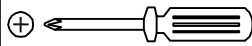
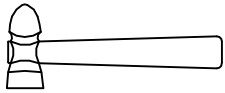
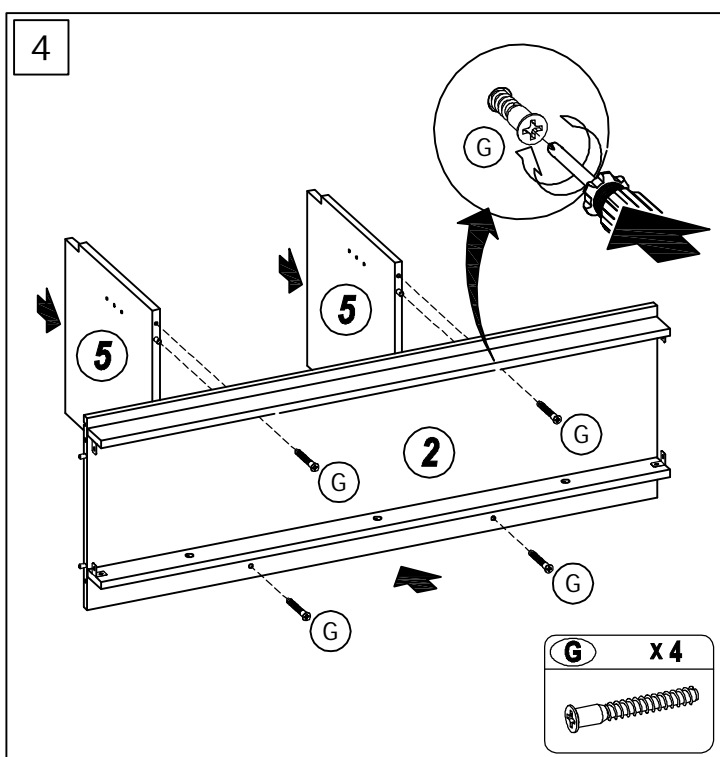
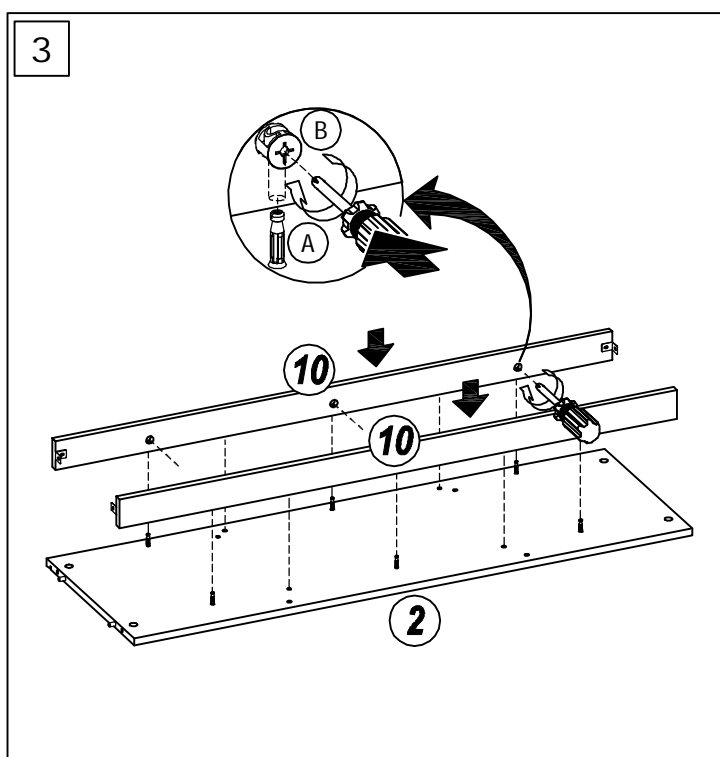
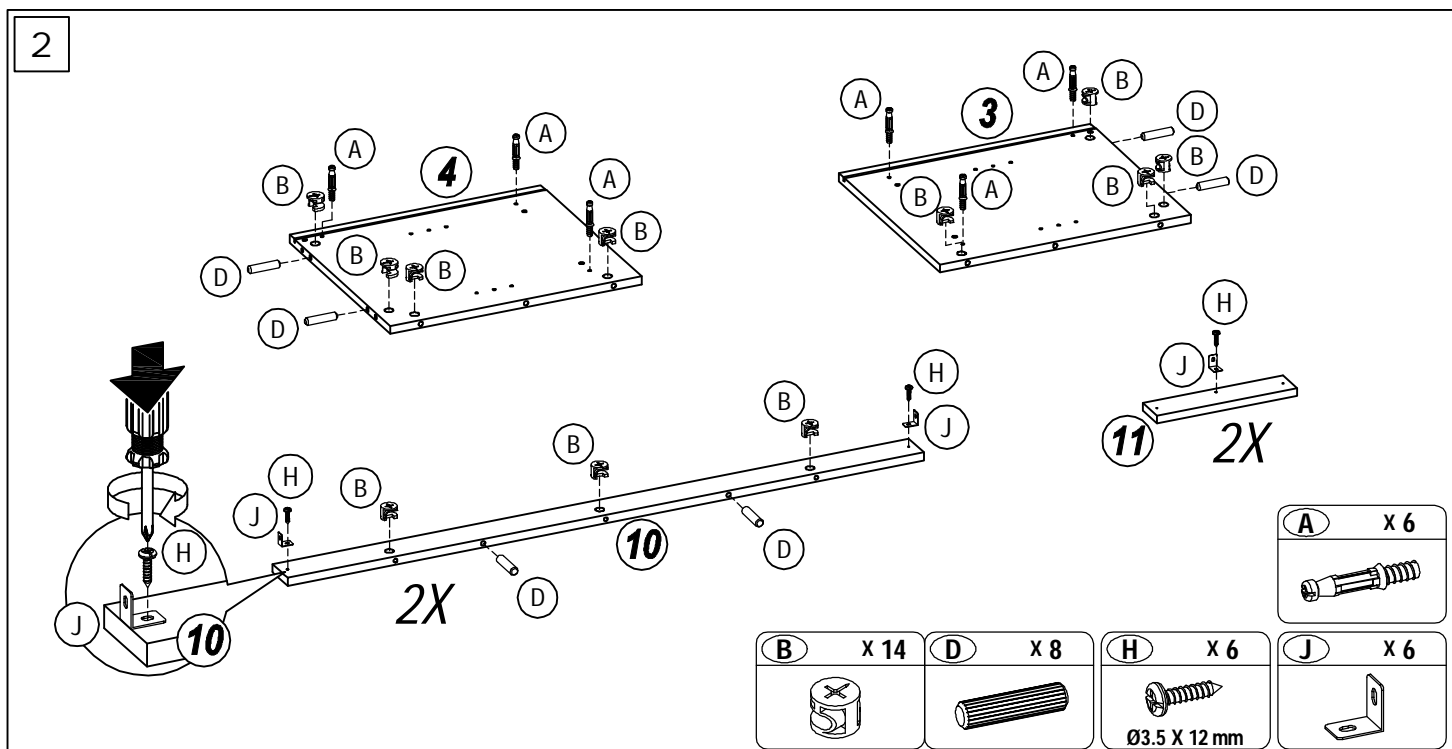
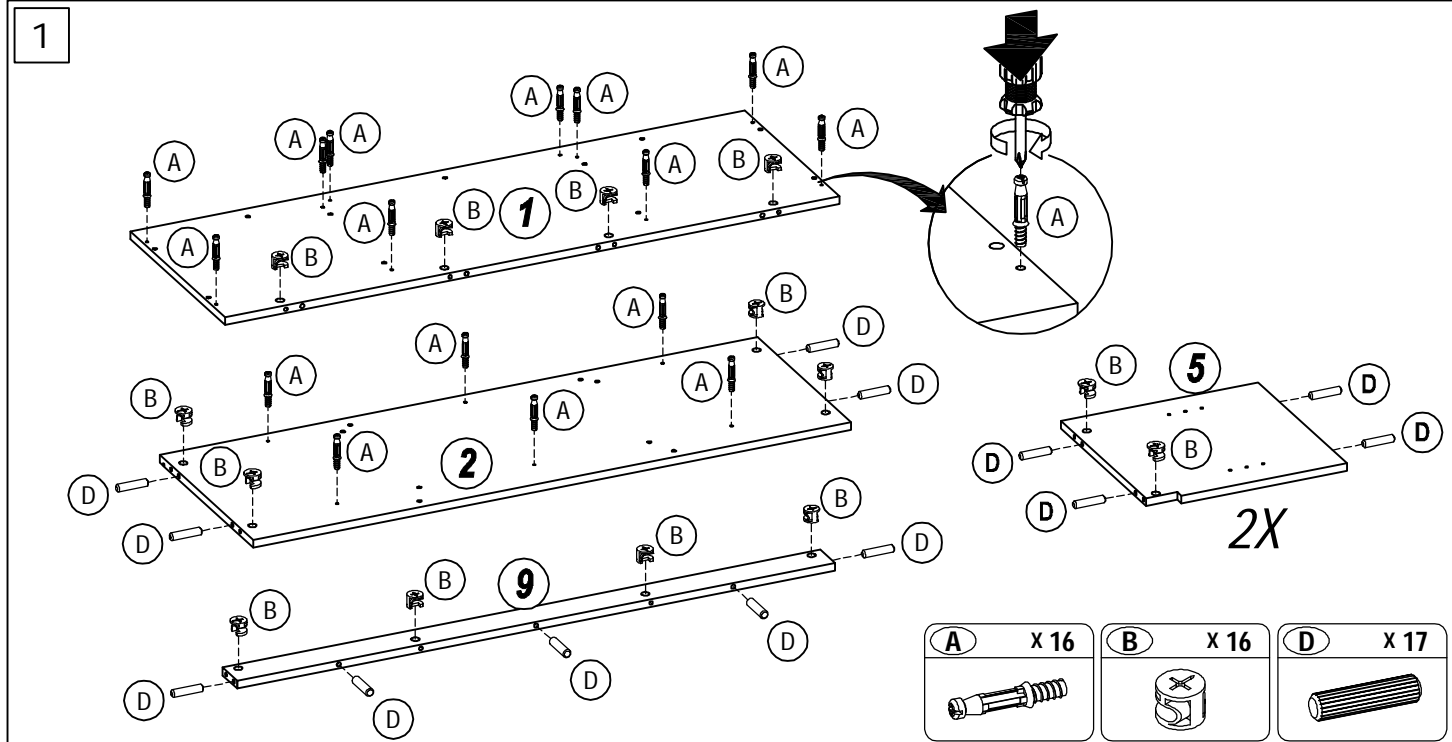


60
MNT

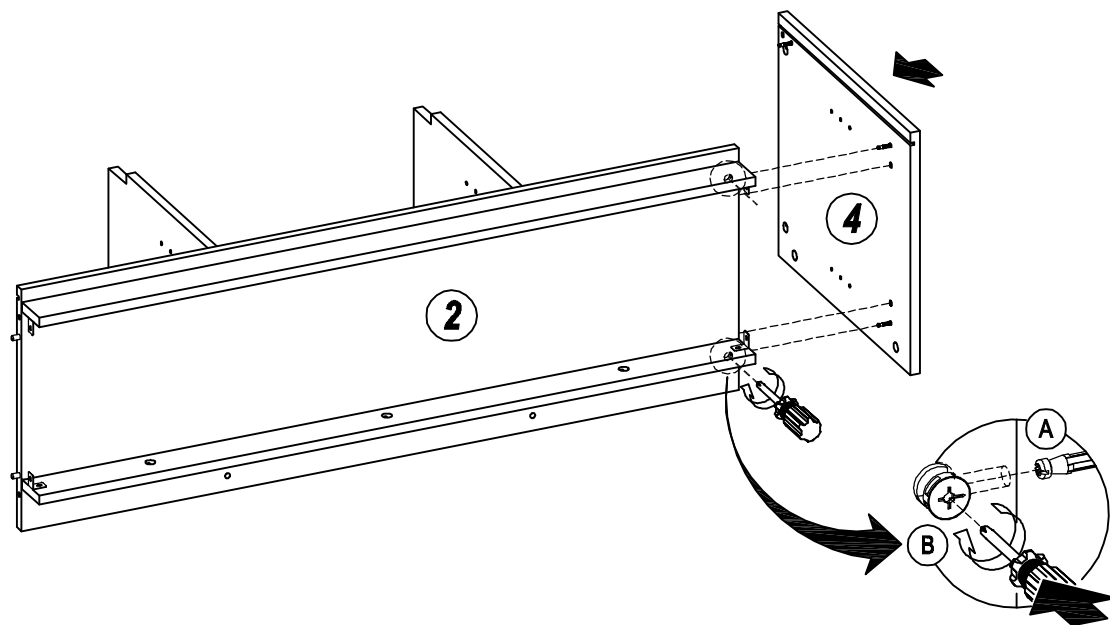
ROTV 120



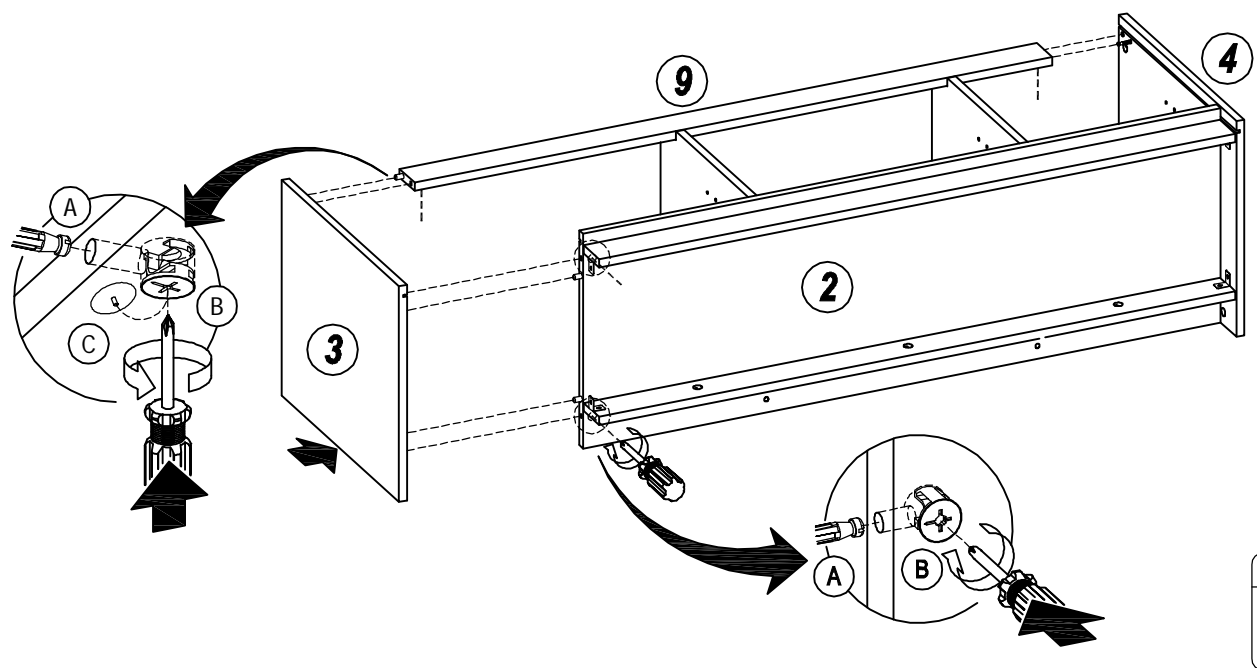
A x 30 	B x 32 					16
C x 18 	D x 33 	E x 2 	F x 2 	G x 4 	H x 12 Ø3.5 X 12 mm	
J x 6 	K x 2 	L x 4 	M x 2 	N x 5 	P x 5 Ø3.5 X 19 mm	
Q x 10 Ø3 X 13 mm	R x 4 	S x 24 Ø3.5 X 12 mm	T x 12 	U x 4 	V x 4 	



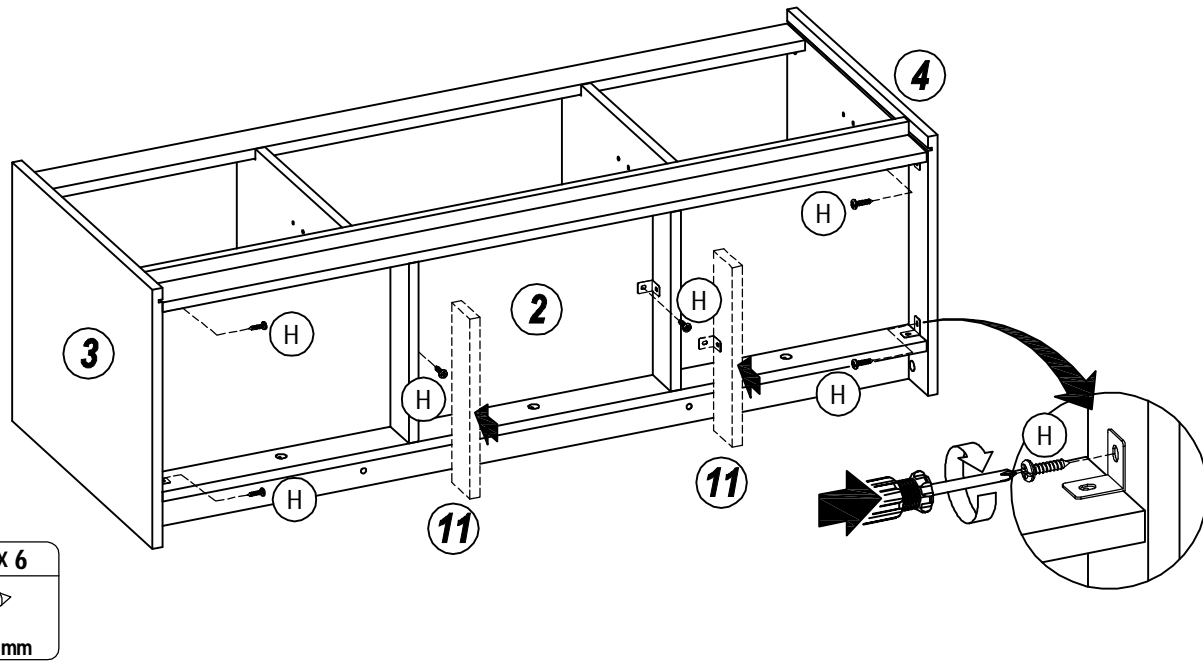
5



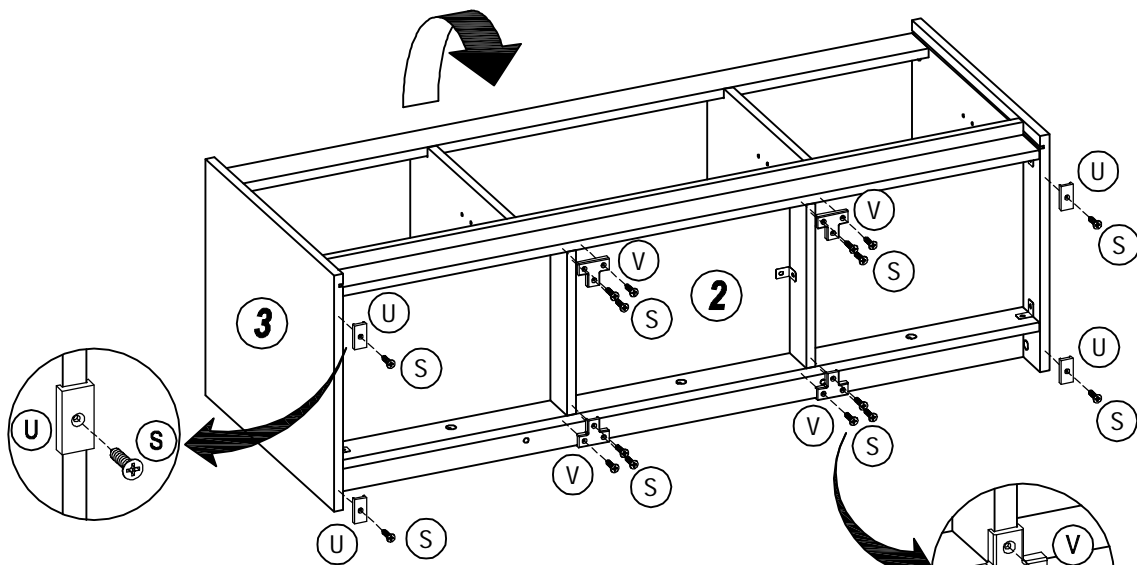
6


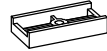
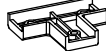


7

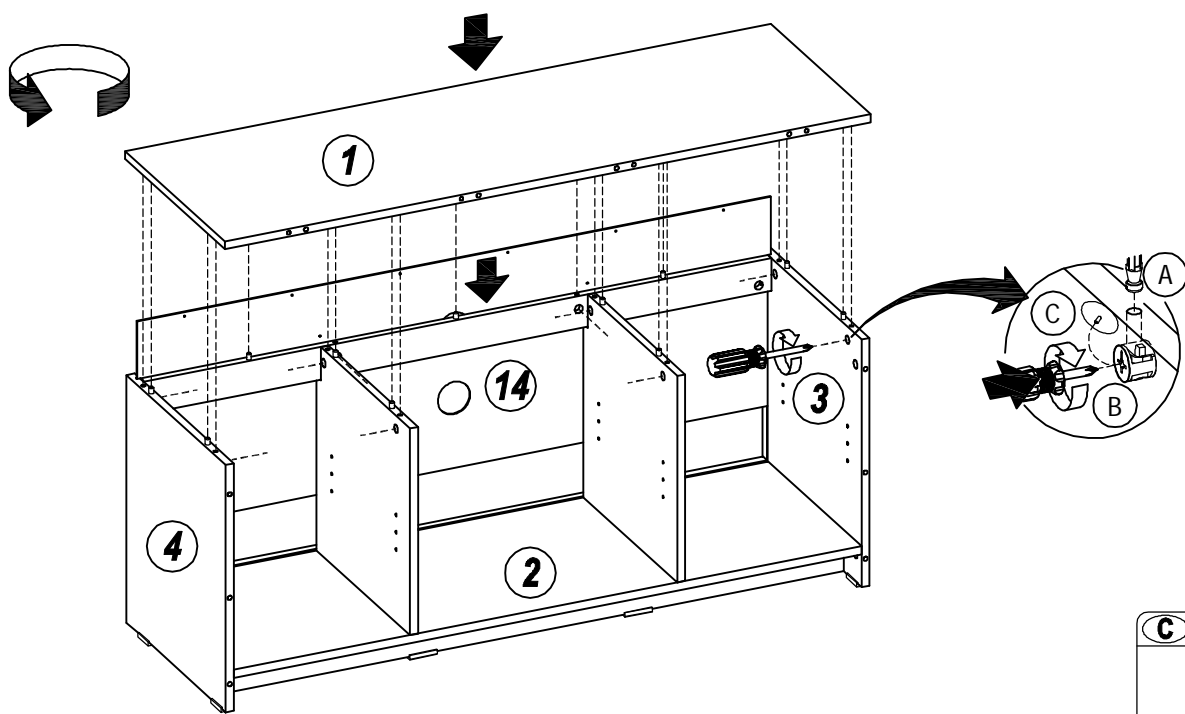



8



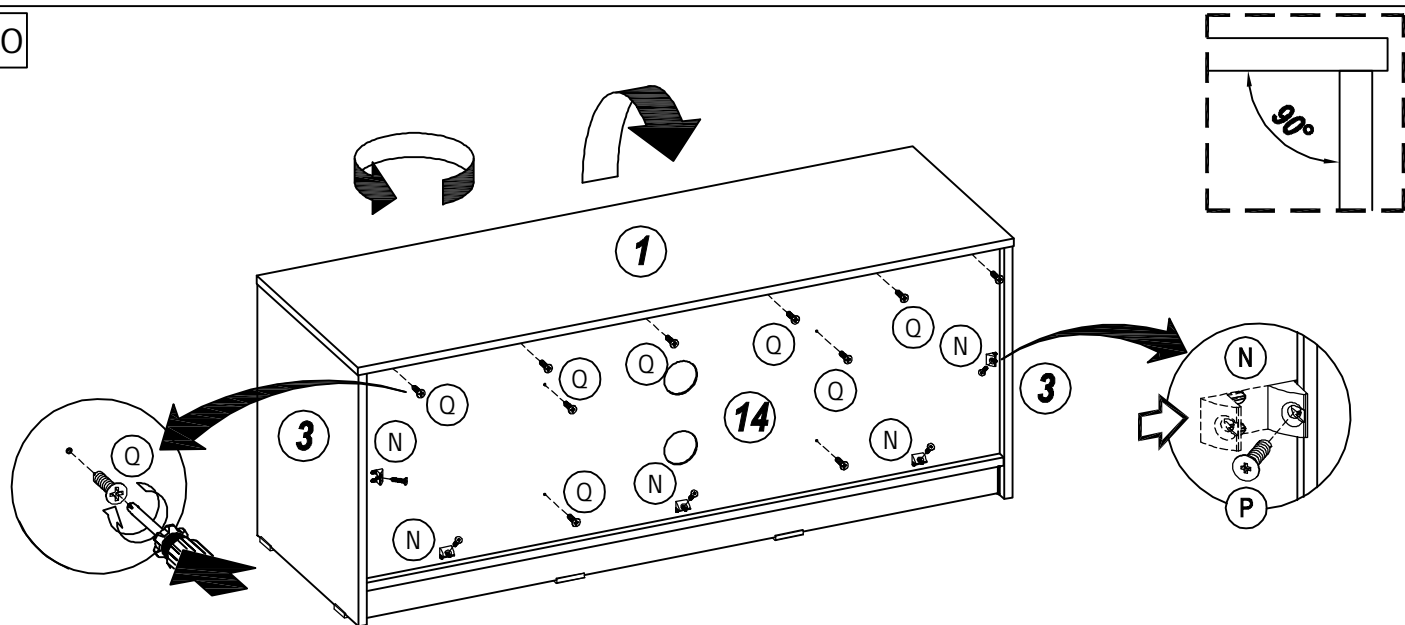
S x 16	U x 4	V x 4
 Ø3.5 X 12 mm		




9



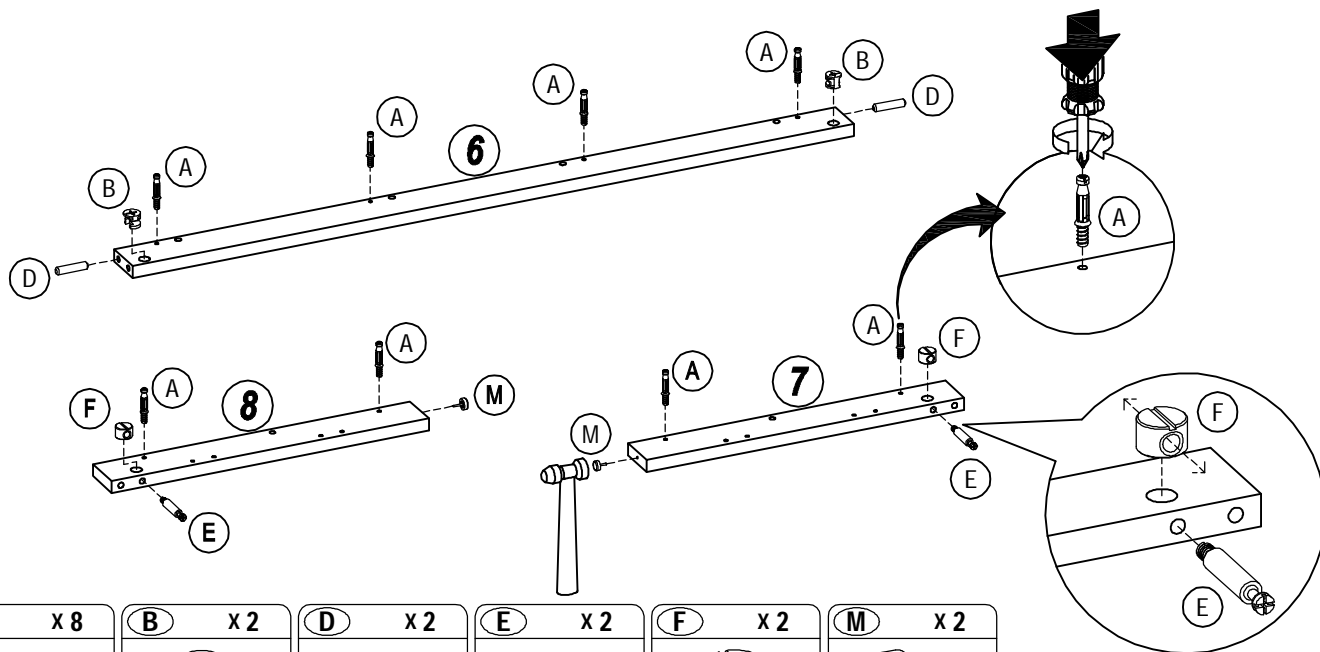
C x 10


10



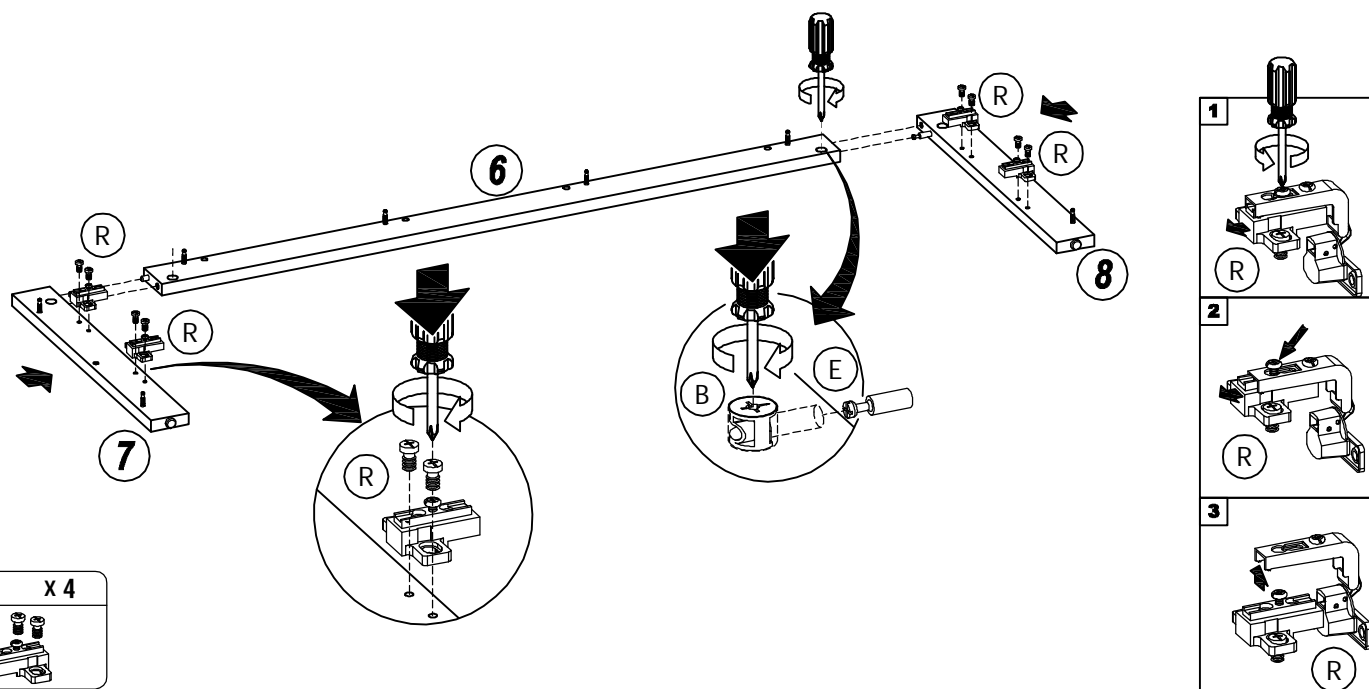
N x 5	P x 5	Q x 10
	 Ø3.5 X 19 mm	 Ø3 X 13 mm

11



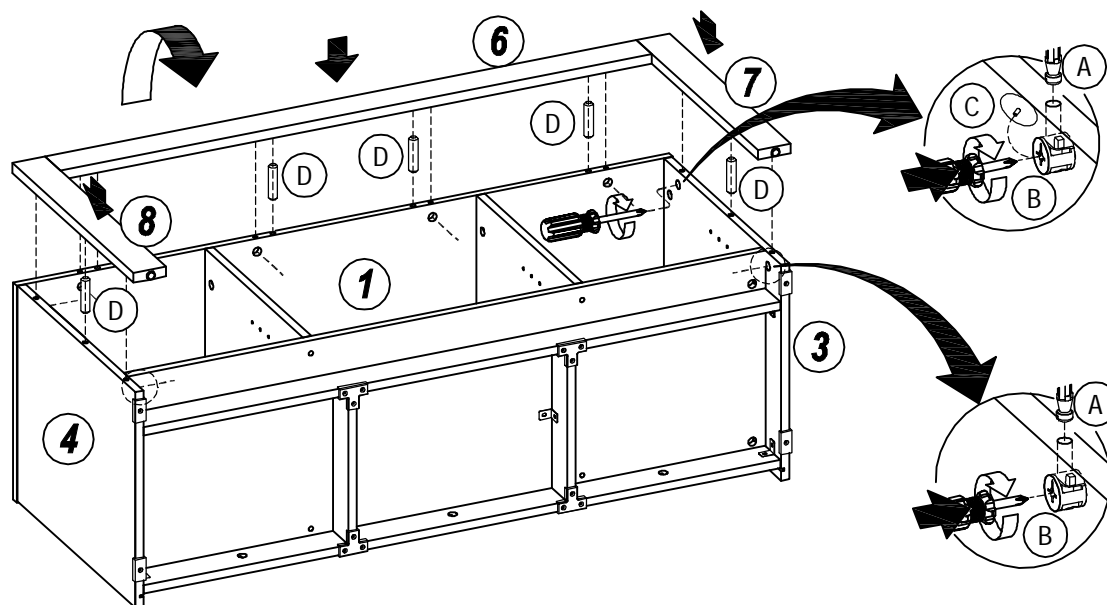
A x 8	B x 2	D x 2	E x 2	F x 2	M x 2

12



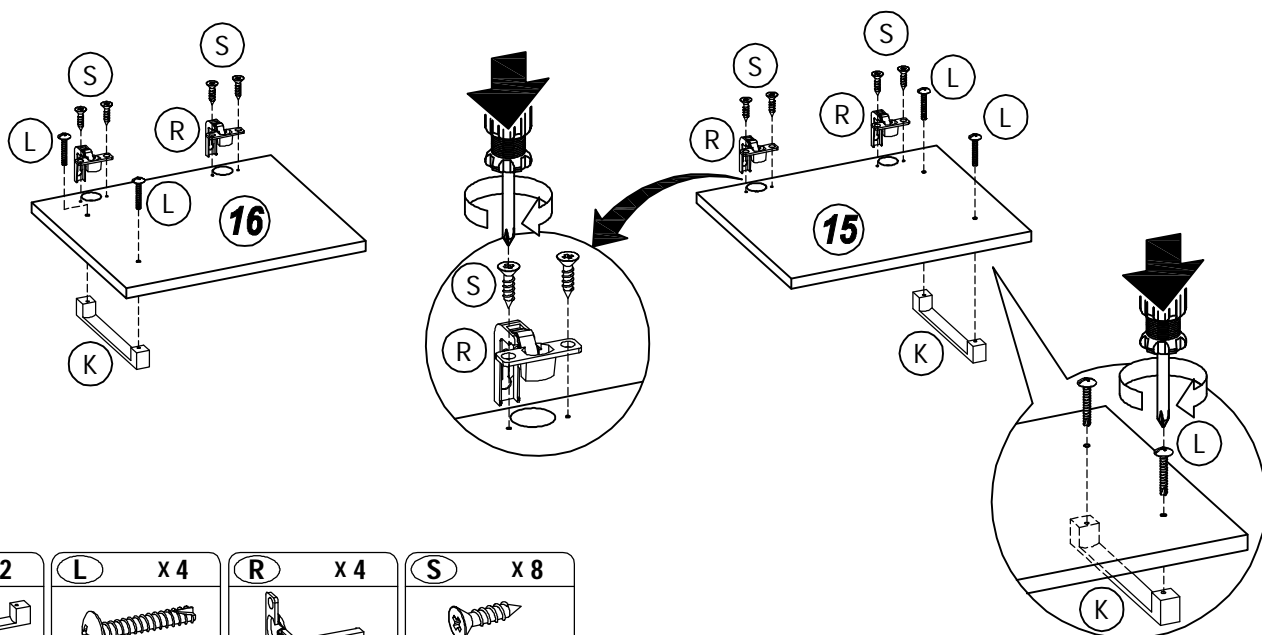
R x 4

13



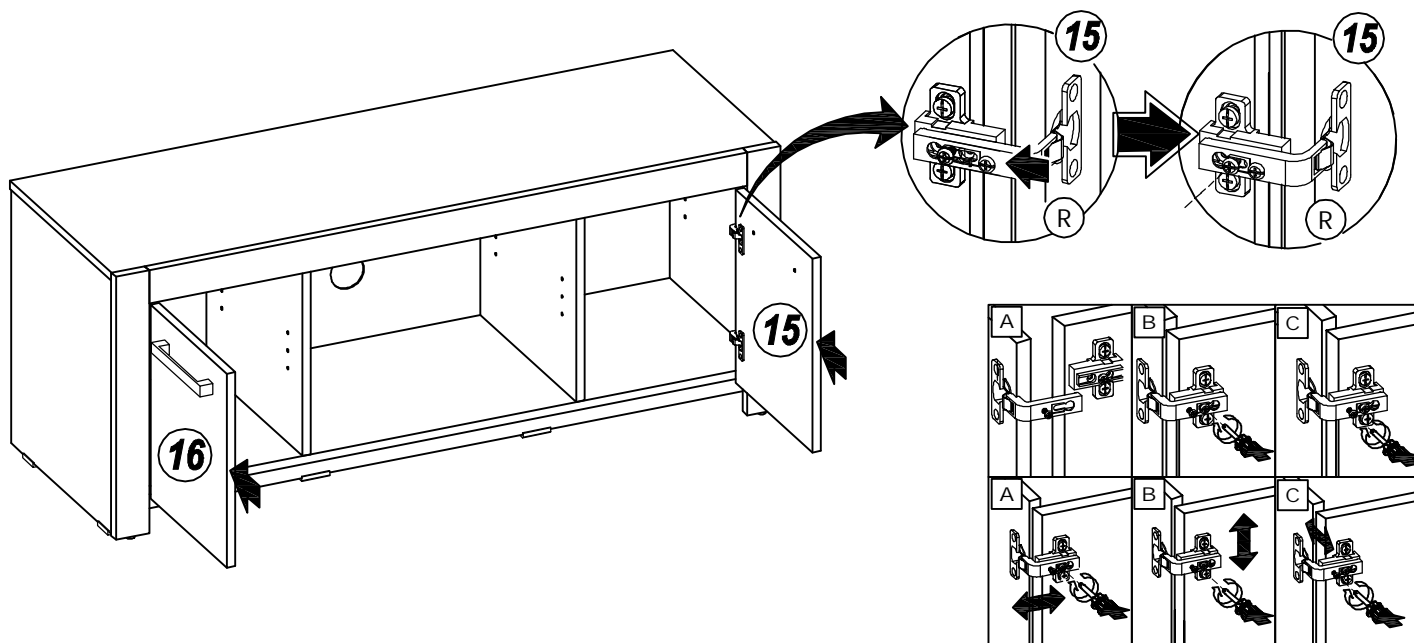
D x 6
C x 6

14

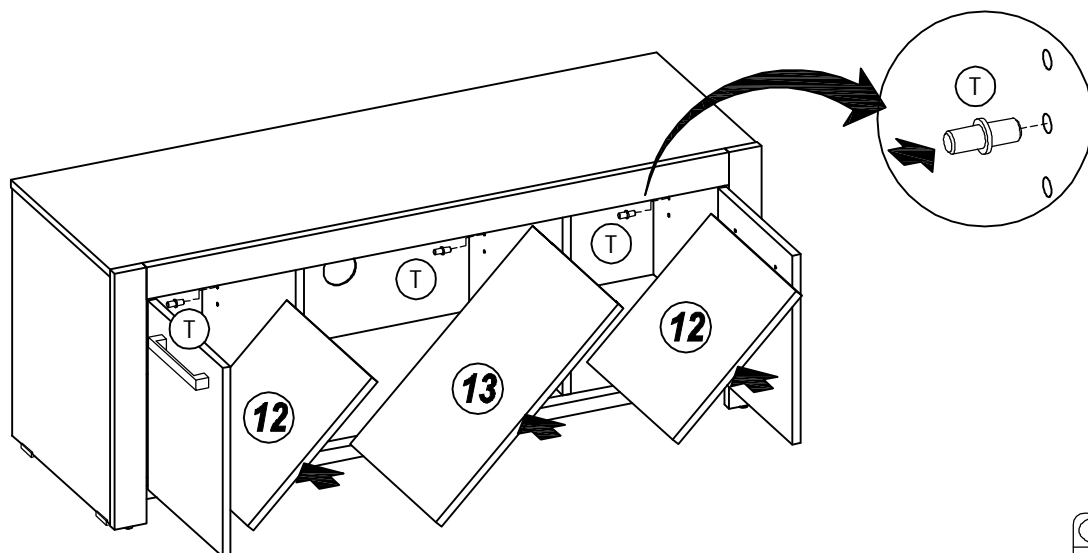


K x2	L x4	R x4	S x8 Ø3.5 X 12 mm

15



16



T x12