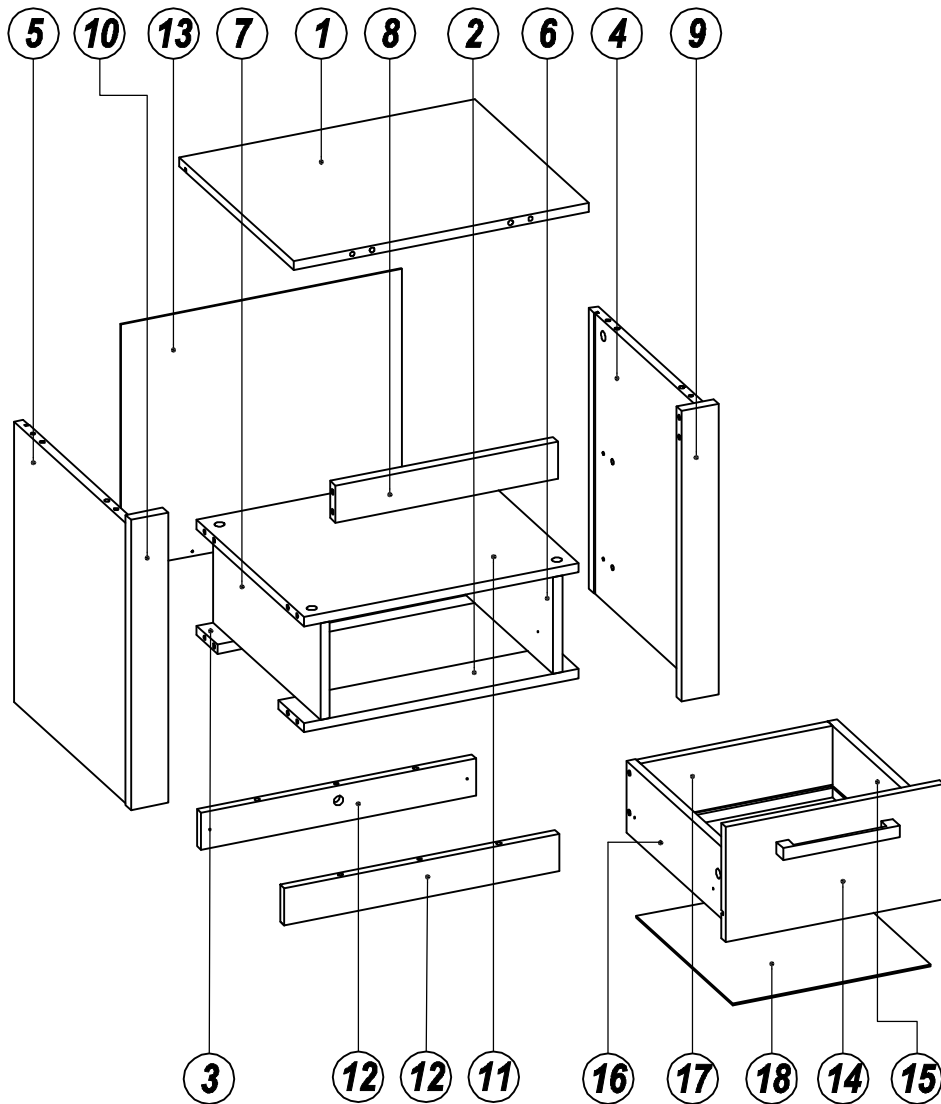
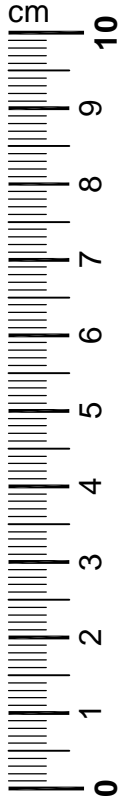
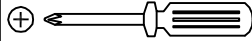
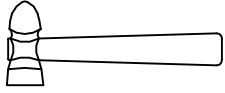
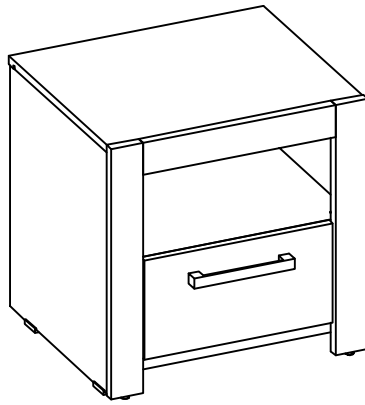


# RONs 48



**A** x 22

**B** x 24

**C** x 16

**D** x 34

**E** x 2

**F** x 2

**G** x 4

**H** x 18  
Ø3.5 X 12 mm

**J** x 1

**K** x 2

**L** x 2

**M** x 4

**N** x 5

**P** x 5  
Ø3.5 X 19 mm

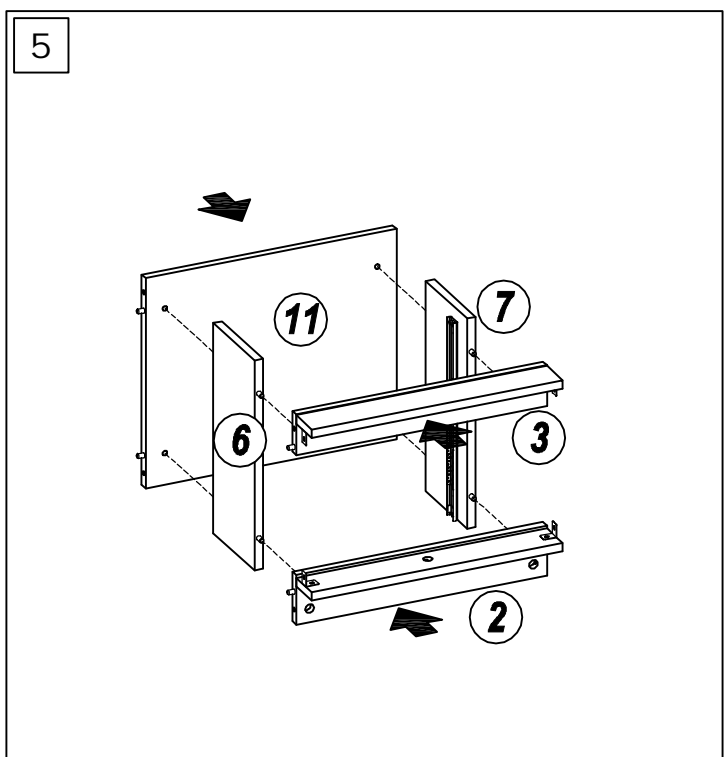
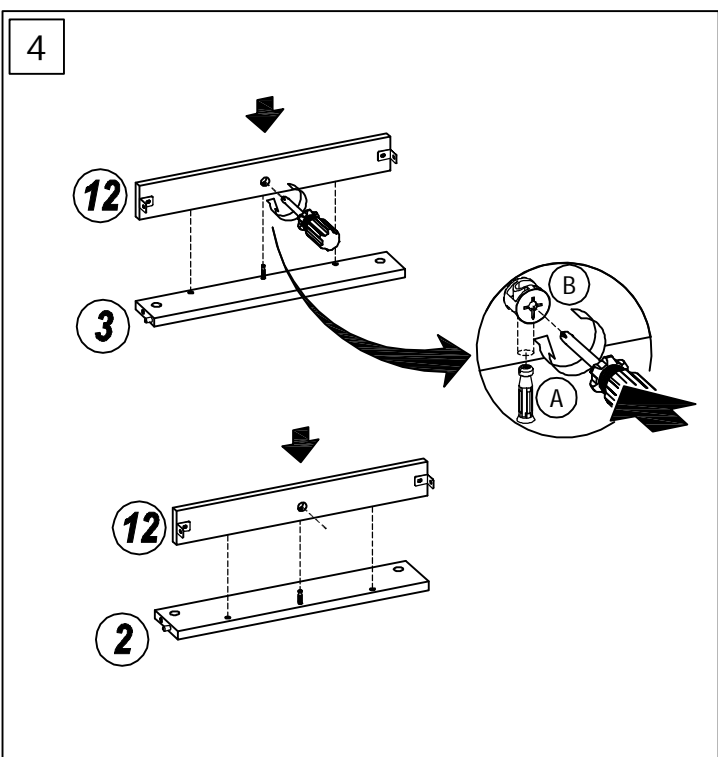
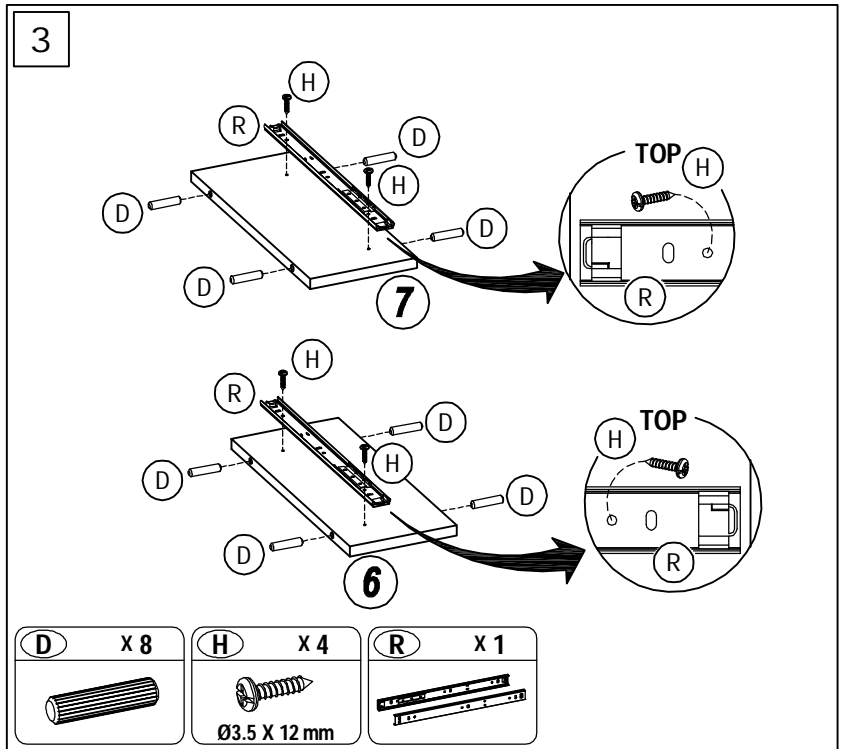
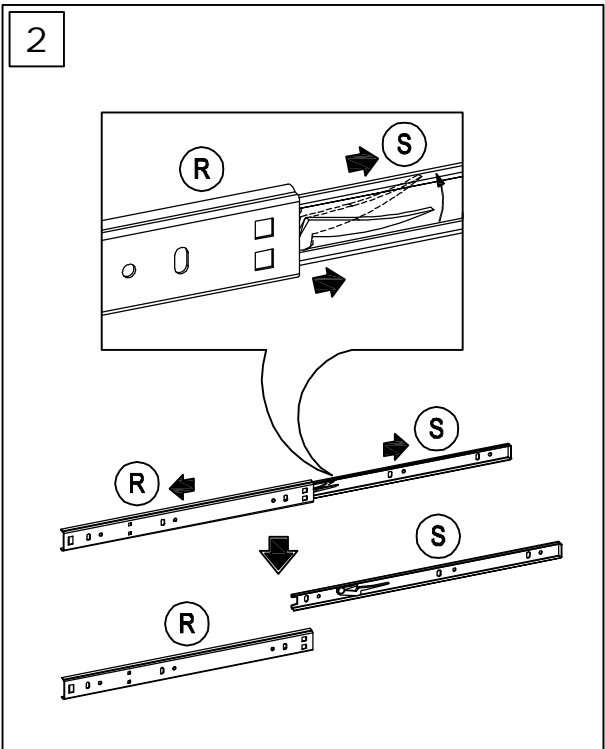
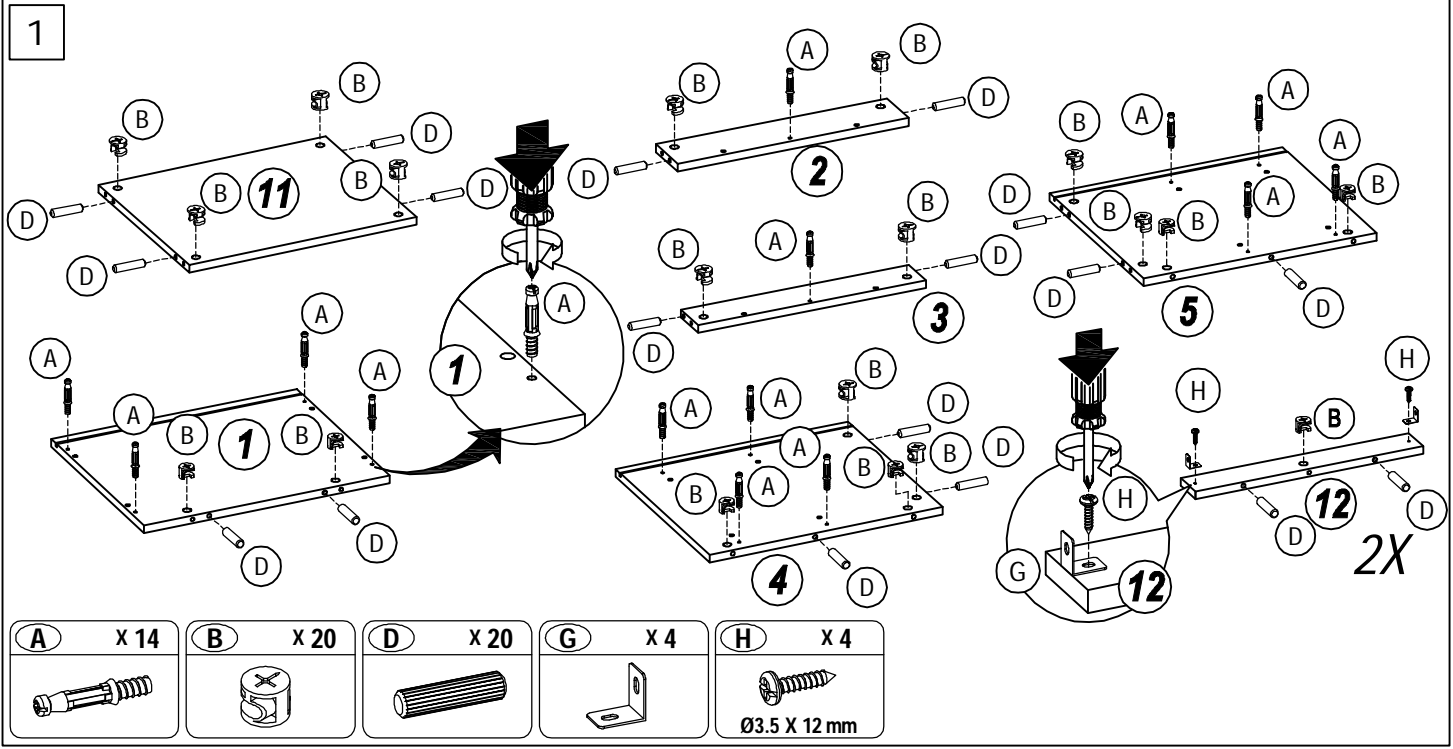
**Q** x 2  
Ø3 X 13 mm

**R** x 1

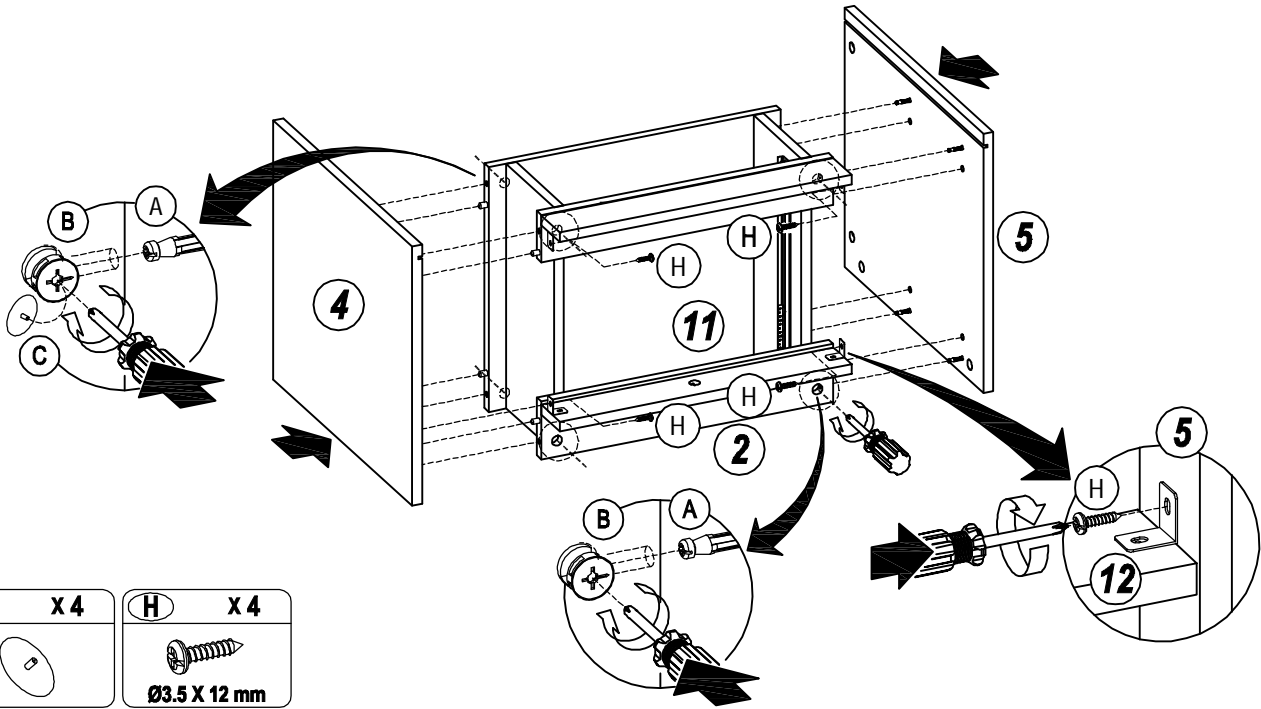
**S** x 1

**T** x 4

**U** x 4  
Ø3.5 X 12 mm

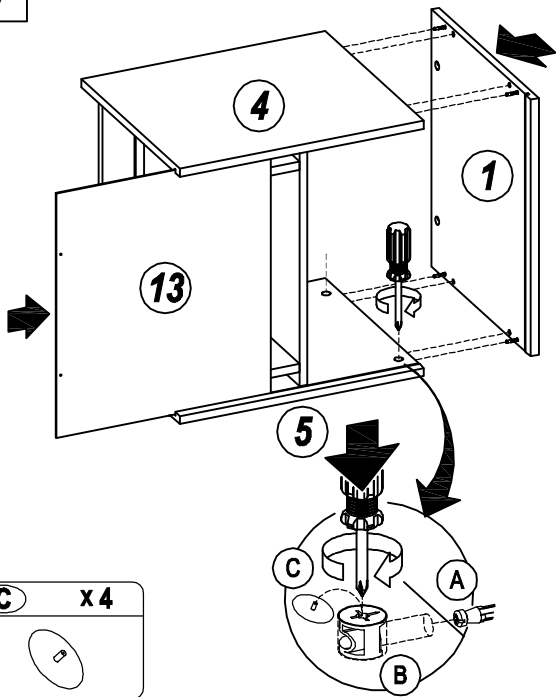


6



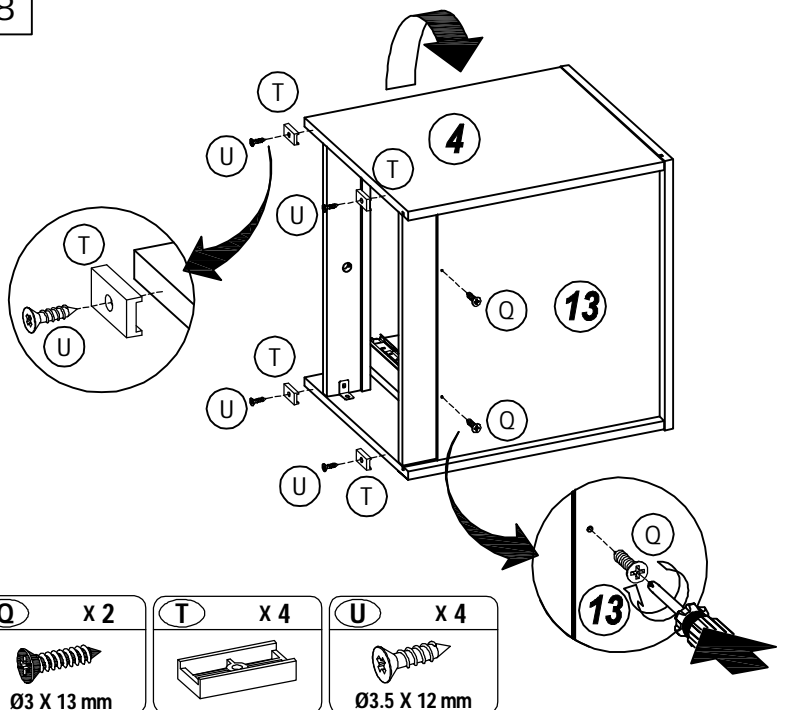
<b>C</b> x4	<b>H</b> x4
	 Ø3.5 X 12 mm

7



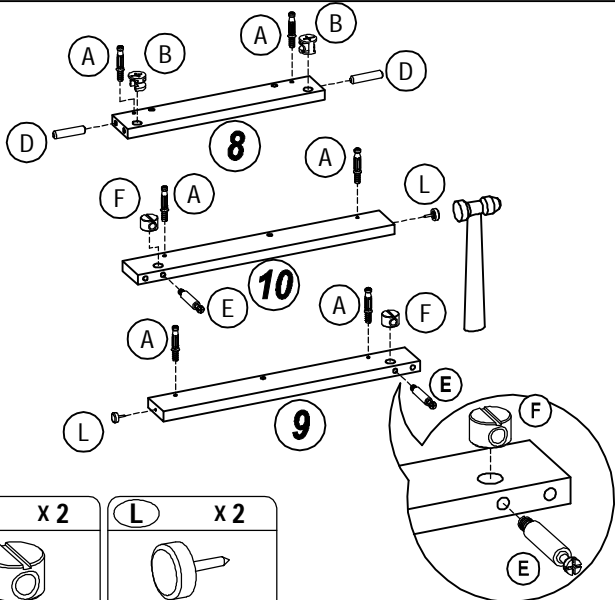
<b>C</b> x4

8



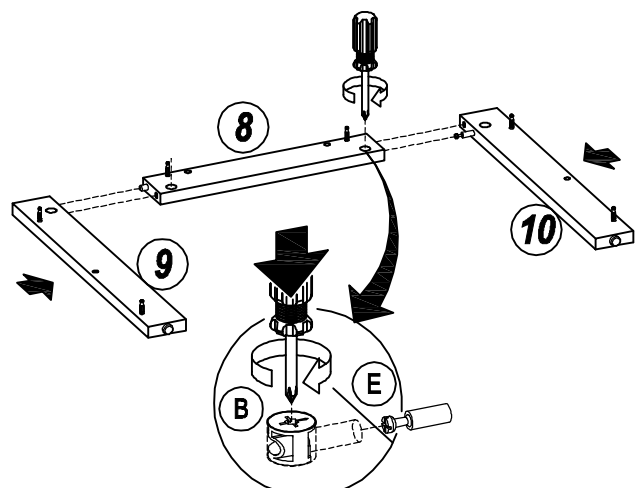
<b>Q</b> x2	<b>T</b> x4	<b>U</b> x4
 Ø3 X 13 mm		 Ø3.5 X 12 mm

9

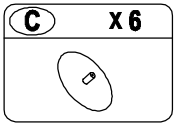
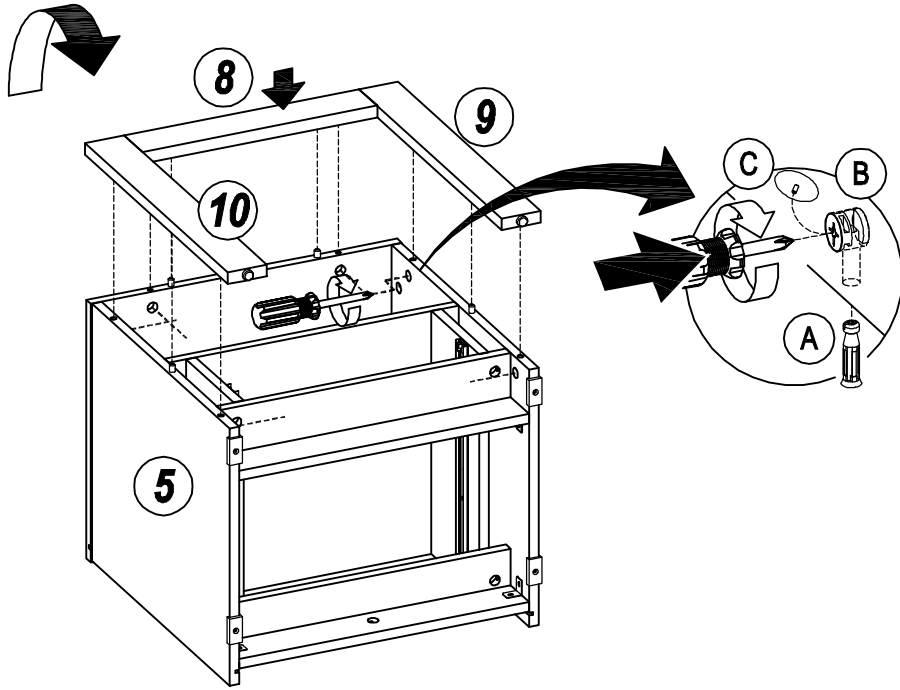


<b>F</b> x2	<b>L</b> x2		
<b>A</b> x6	<b>B</b> x2	<b>D</b> x2	<b>E</b> x2

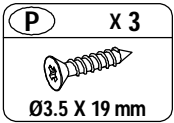
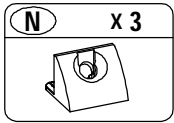
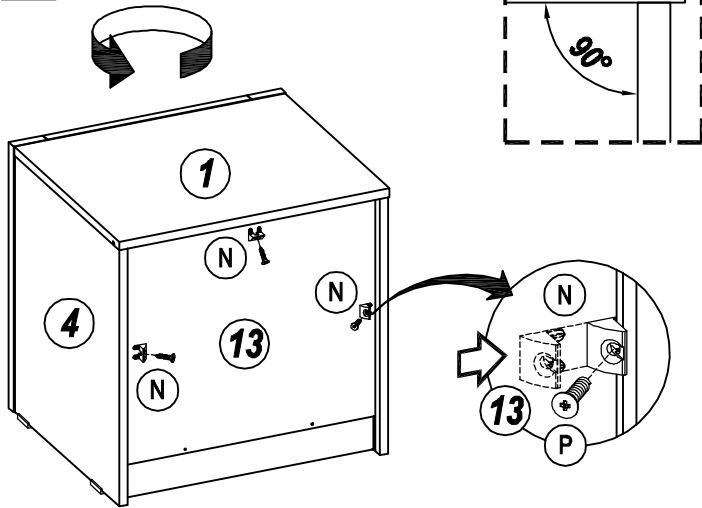
10



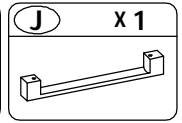
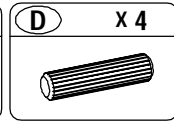
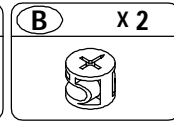
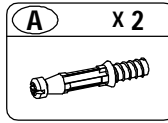
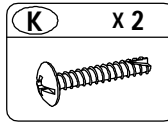
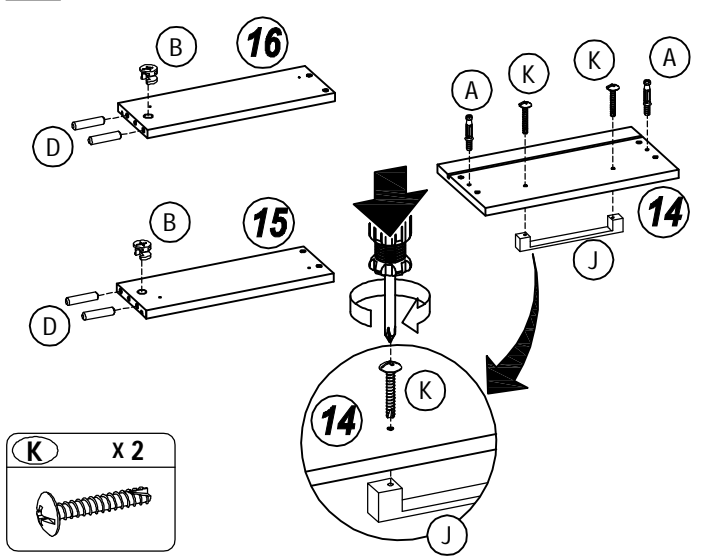
11



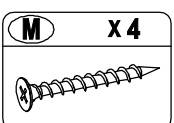
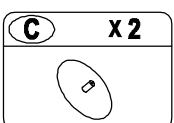
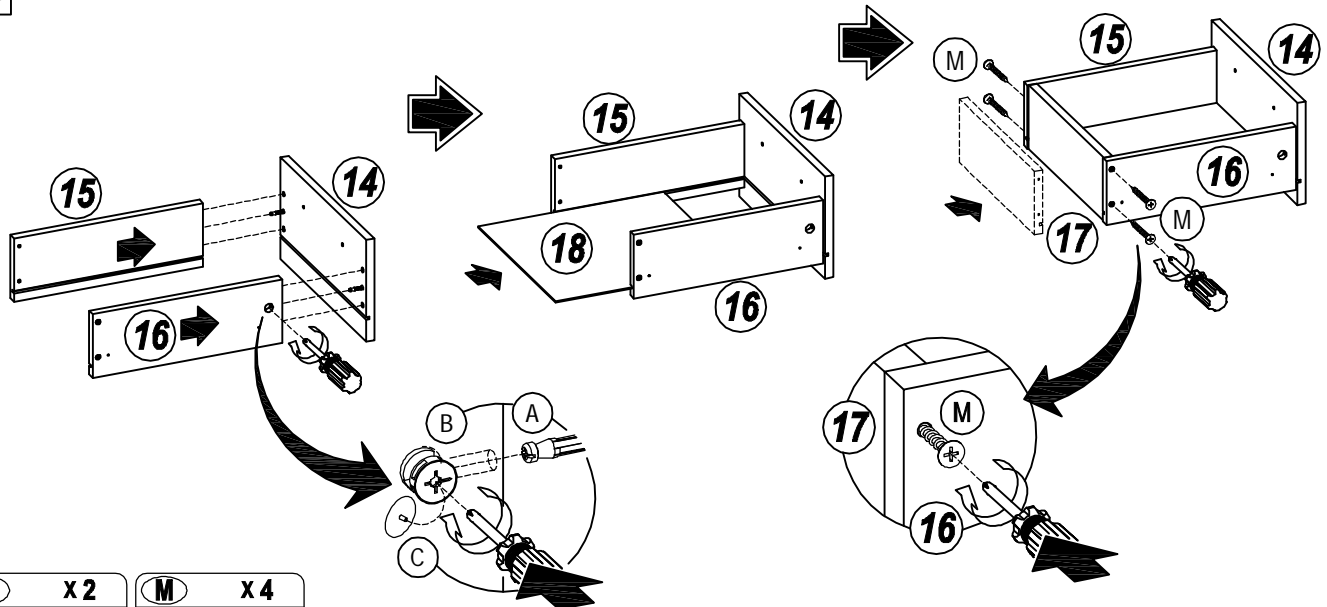
12



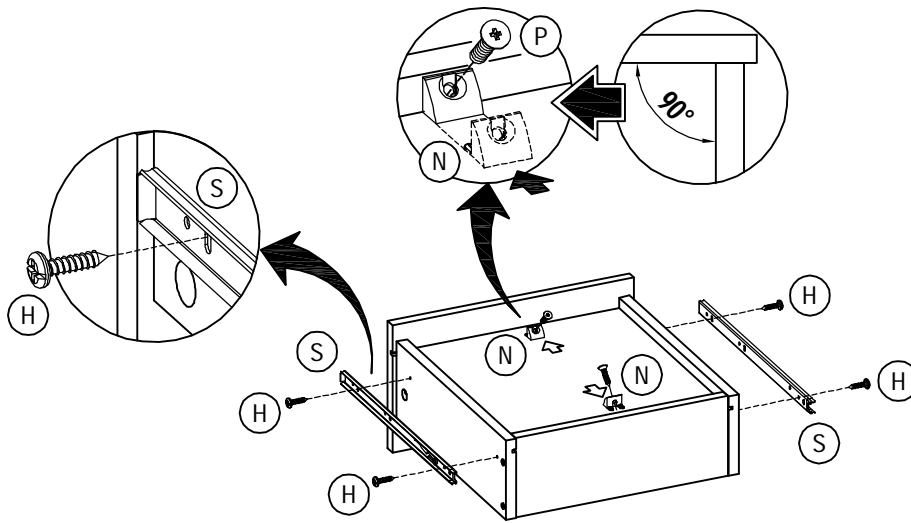
13



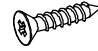



14

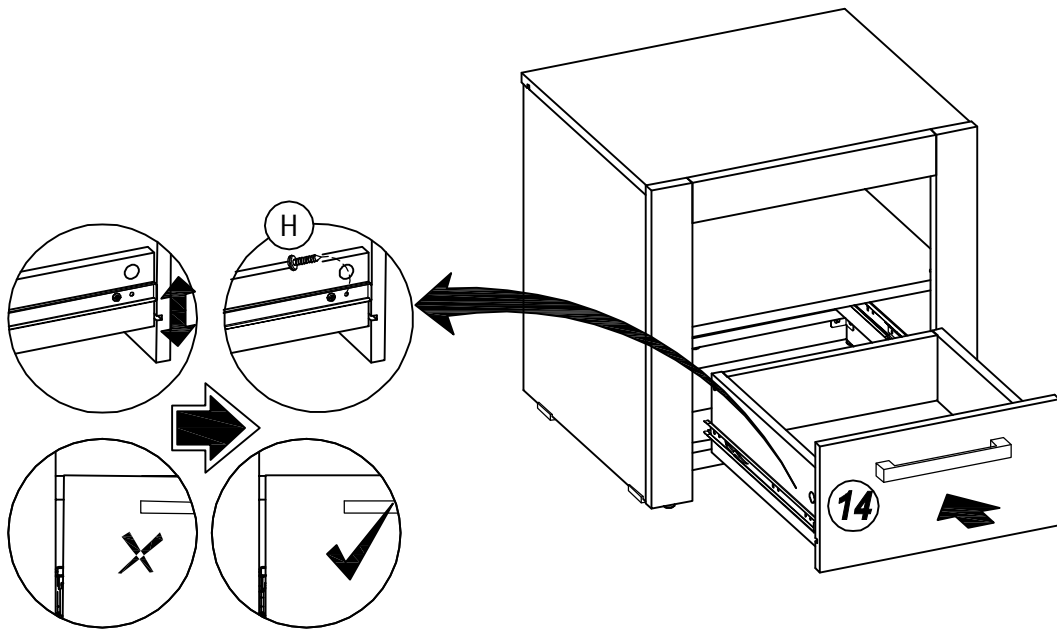



15



<b>H</b> x 4	<b>N</b> x 2	<b>P</b> x 2	<b>S</b> x 1
 Ø3.5 X 12 mm		 Ø3.5 X 19 mm	

16



<b>H</b> x 2
 Ø3.5 X 12 mm

17

