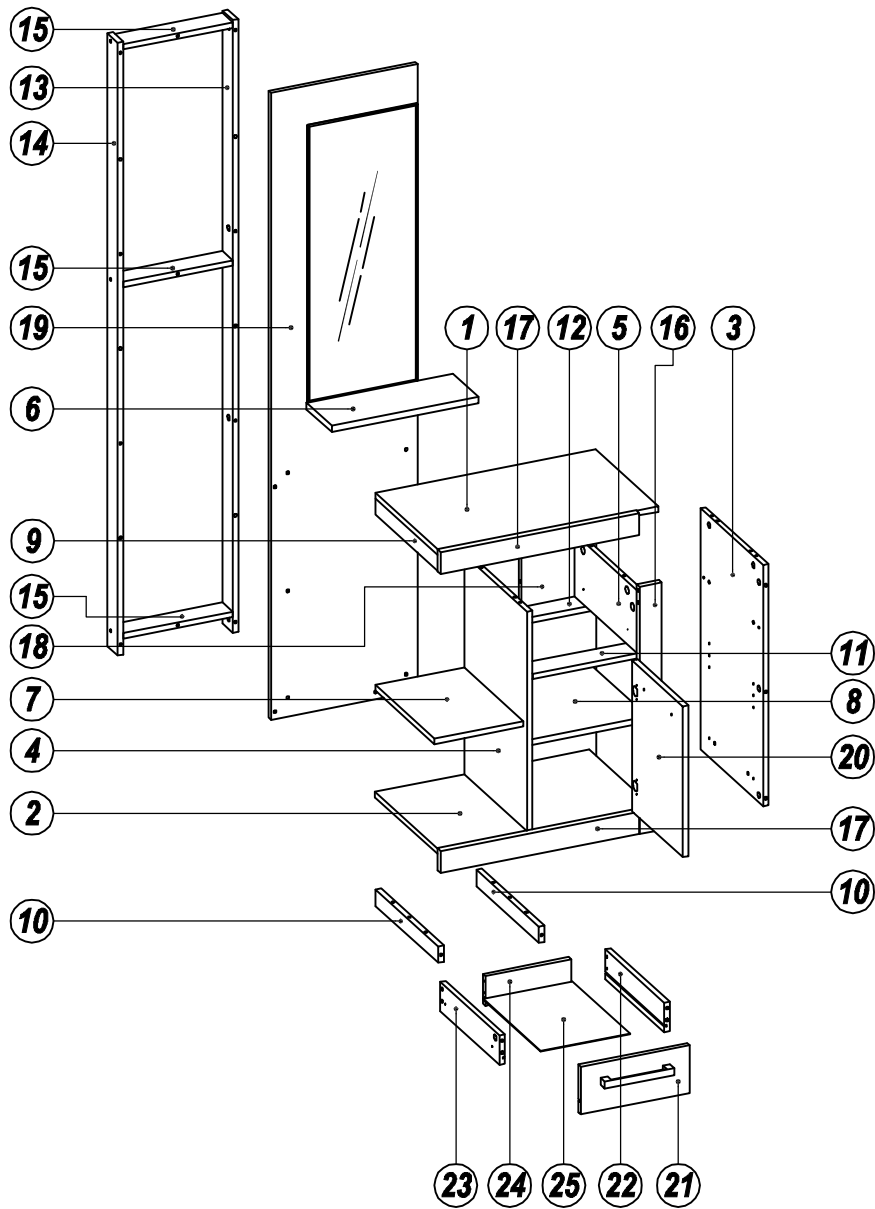
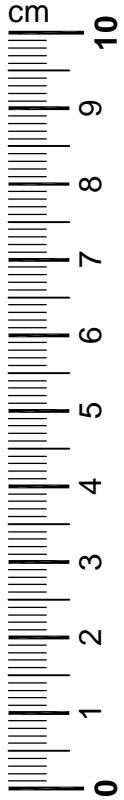
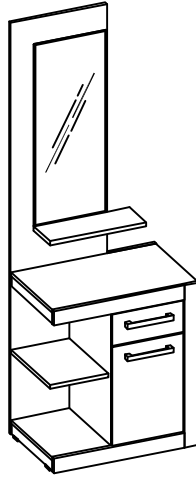
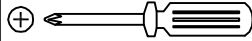
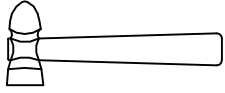
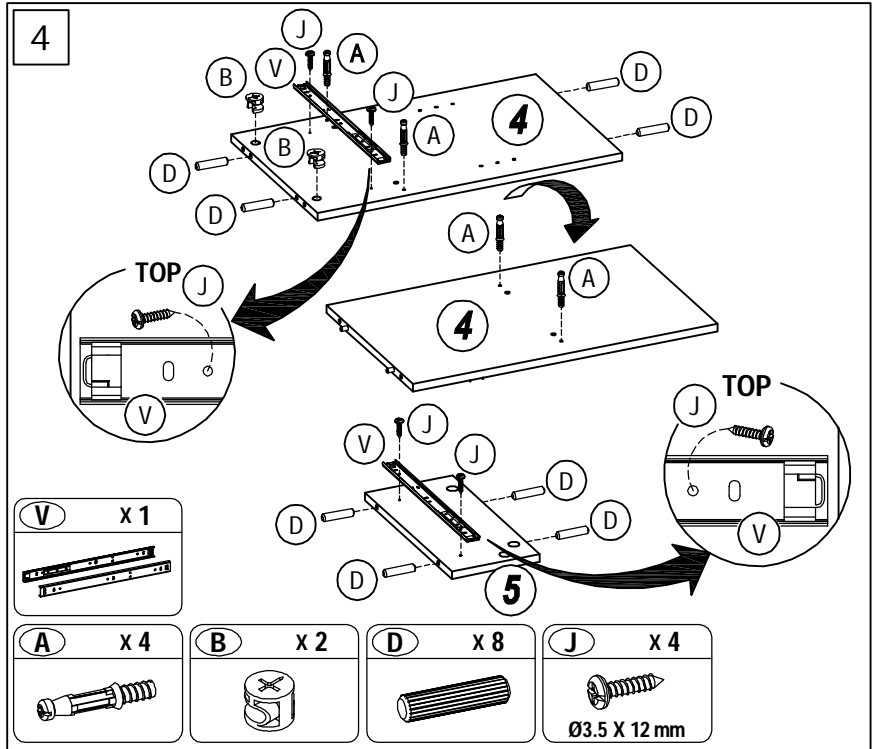
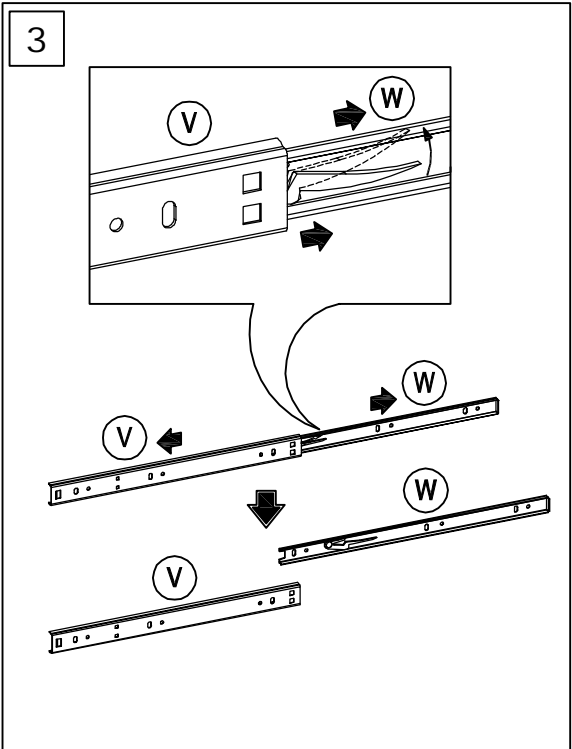
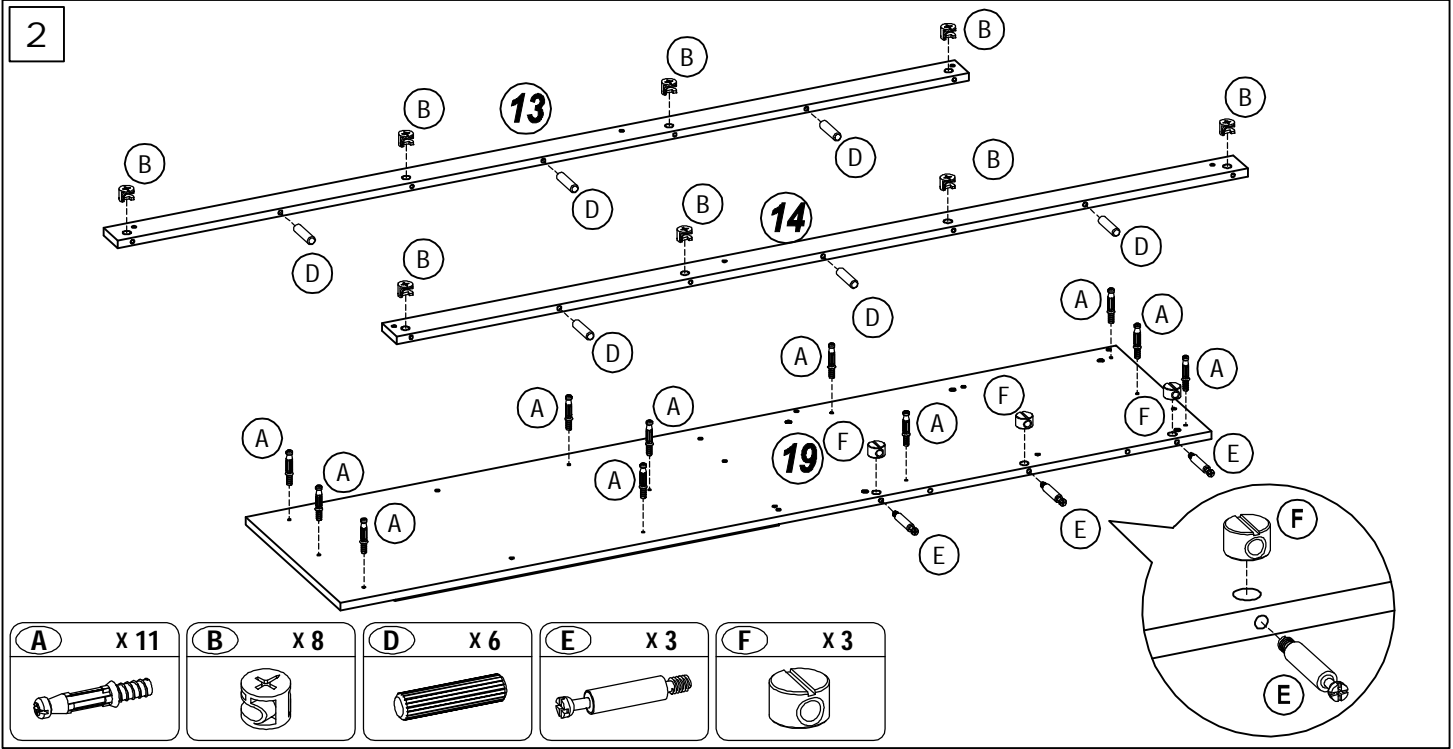
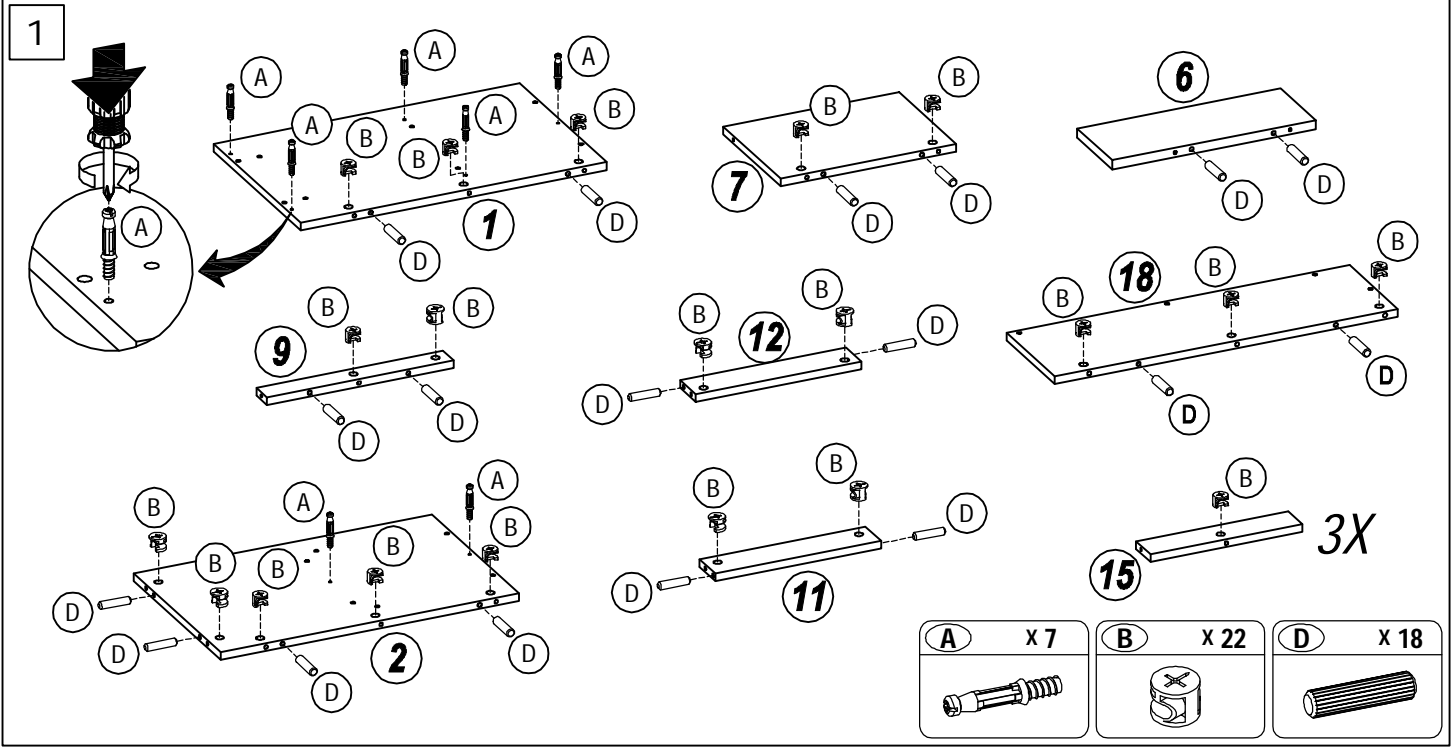


60
MNT

RODS 60



A x 40	B x 45	C x 28	D x 42	E x 5	F x 5	G x 20
H x 2	J x 10	K x 2	L x 4	M x 6	N x 4	P x 2
Q x 2	R x 1	S x 2	T x 10	U x 4	V x 1	W x 1



5

A x 4 B x 9 D x 6

A B D

B B 10

2X

A B D

6

1

9

2

10

C x 1

A B C

A B C

7

4

2

G

G

G

G x 2

Ø7 X 50 mm

8

5

11

4

12

3

C x 4

A B C

A B C

9

1

3

4

C x 2

A B C

A B C

10

17

2X

16

F x 2

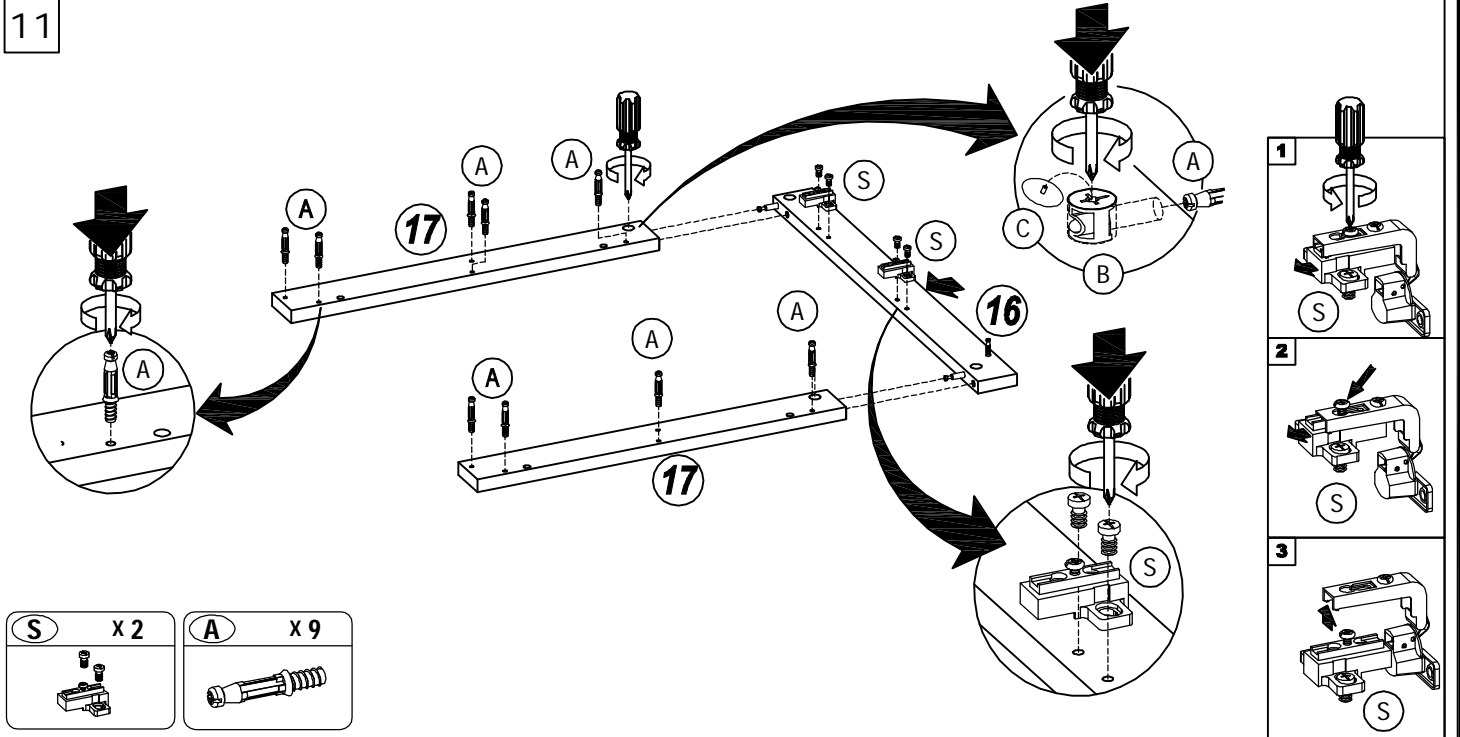
A x 3 B x 2 D x 2 E x 2

A B D E F

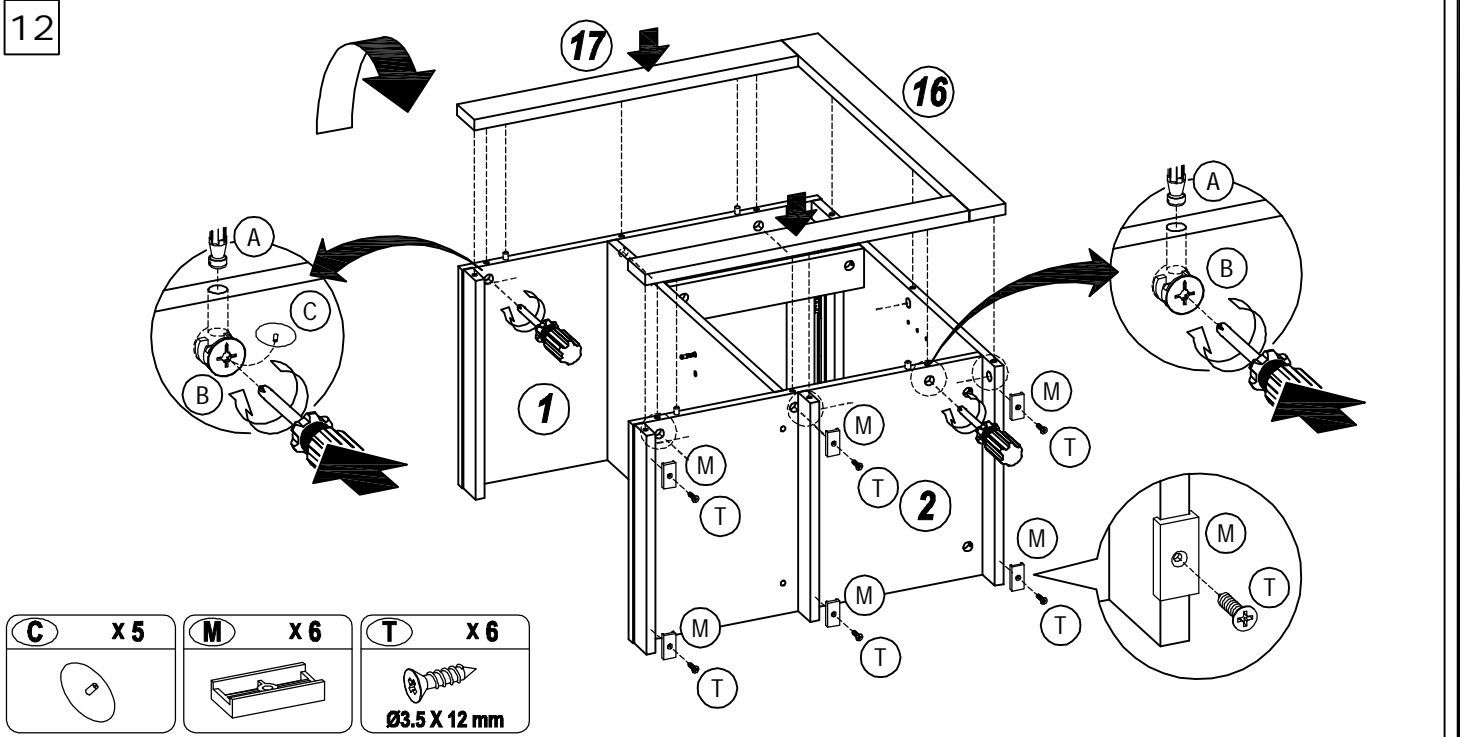
A F A F E

F E

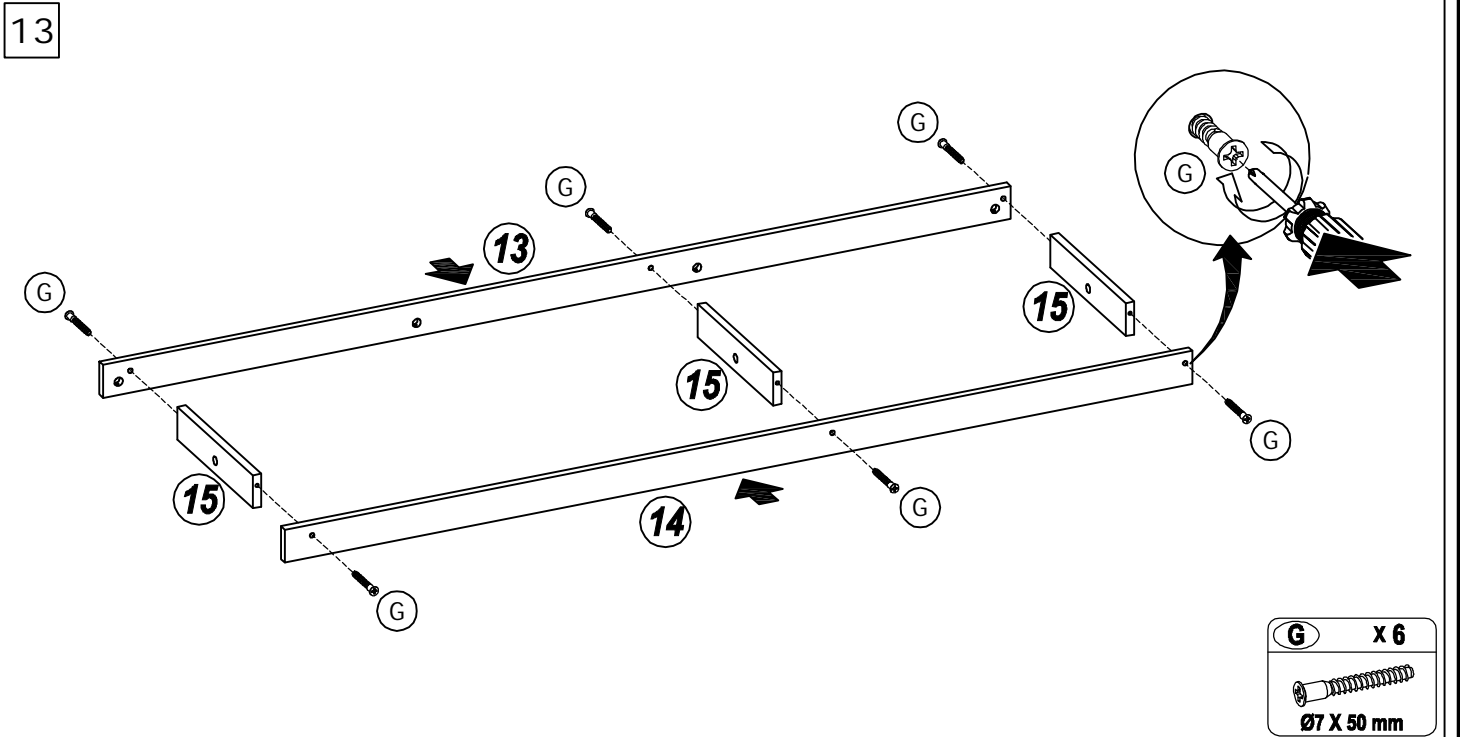
11



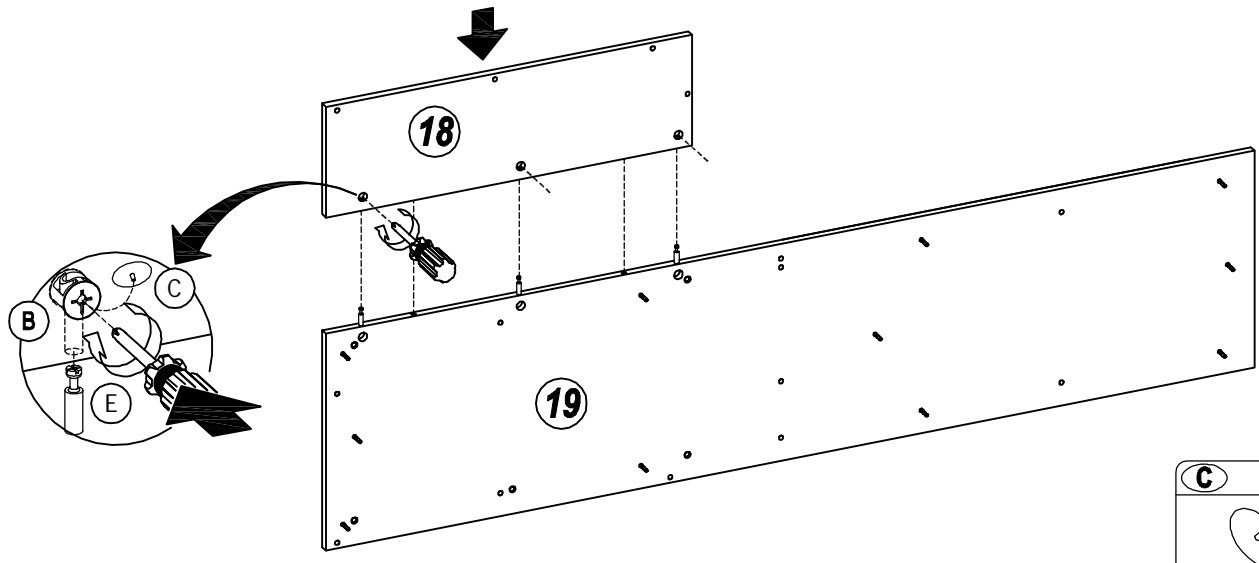
12



13

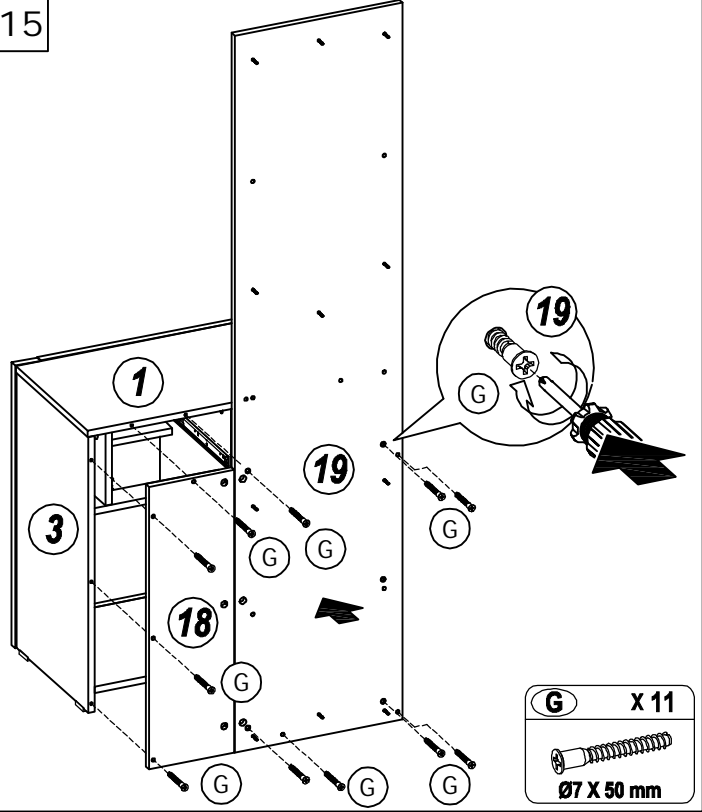


14



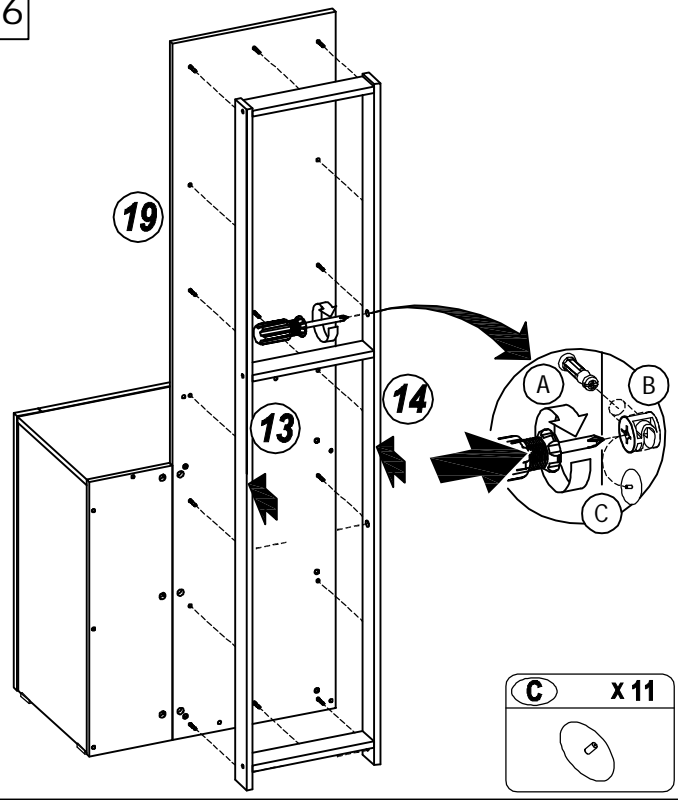
- C x3

15



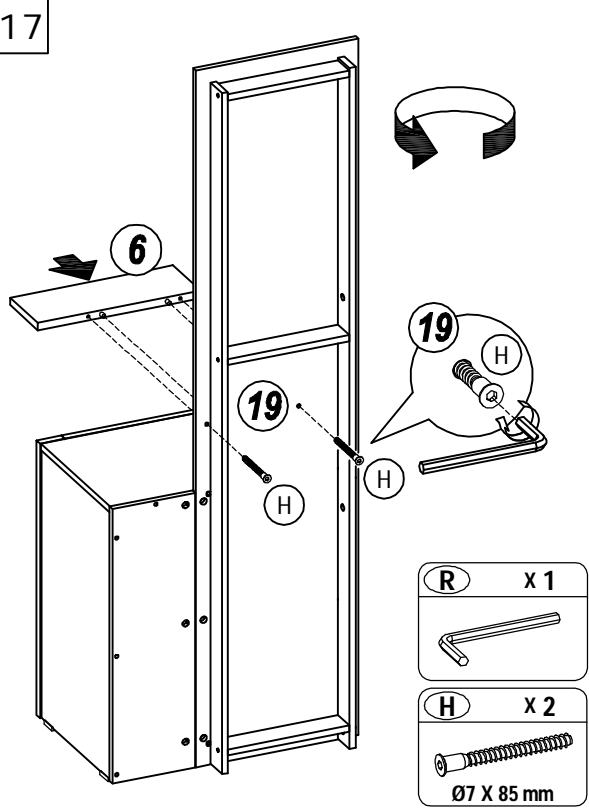
- G x11
- Ø7 X 50 mm

16



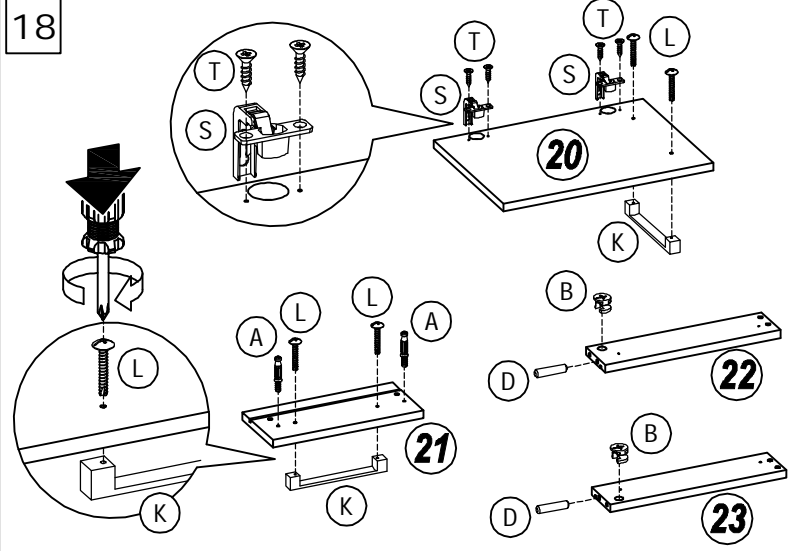
- C x11

17



- R x1
- H x2
- Ø7 X 85 mm

18



- L x4
- S x2
- T x4
- Ø3.5 X 12 mm
- A x2
- B x2
- D x2
- K x2

19

21 22 23 24 25

A B C

N

C	x2	N	x4

20

J P Q W

90°

J	x4	P	x2	Q	x2	W	x1
Ø3.5 X 12 mm				Ø3.5 X 19 mm			

21

7 20

A B C

S

C	x2

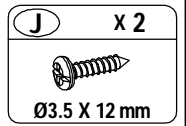
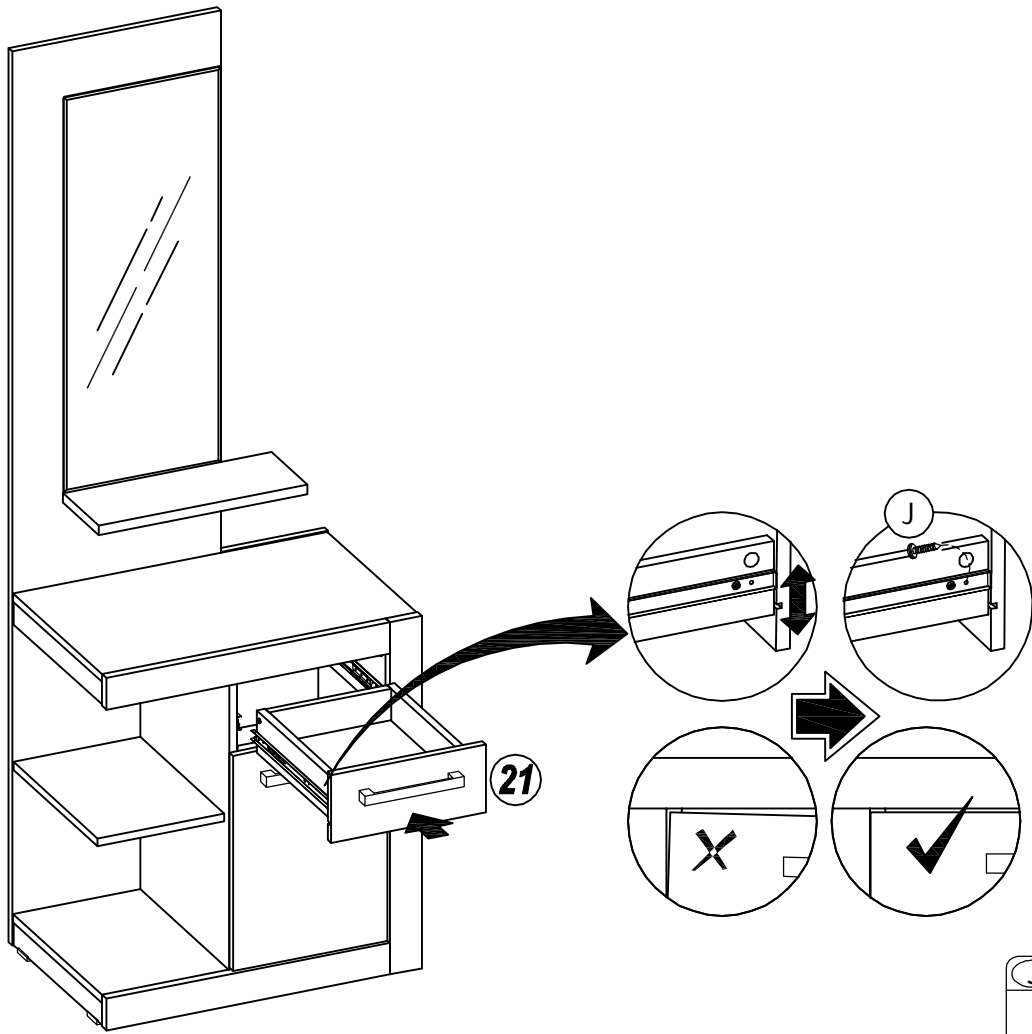
22

7 8

G U

G	x1	U	x4

23



24

