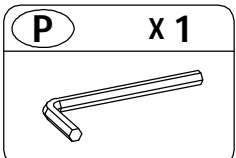
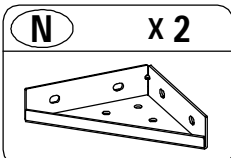
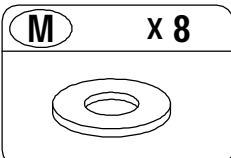
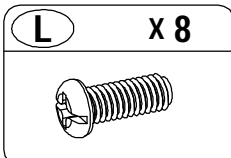
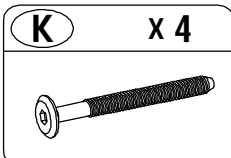
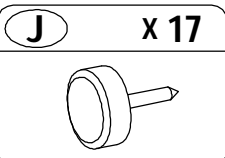
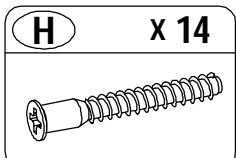
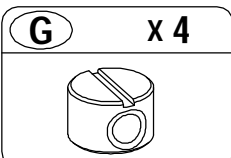
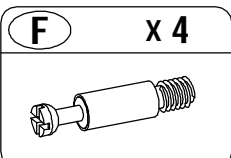
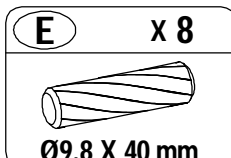
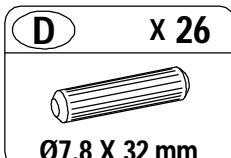
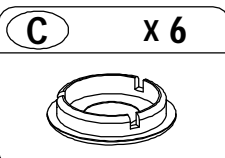
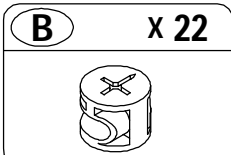
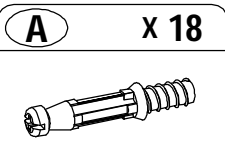
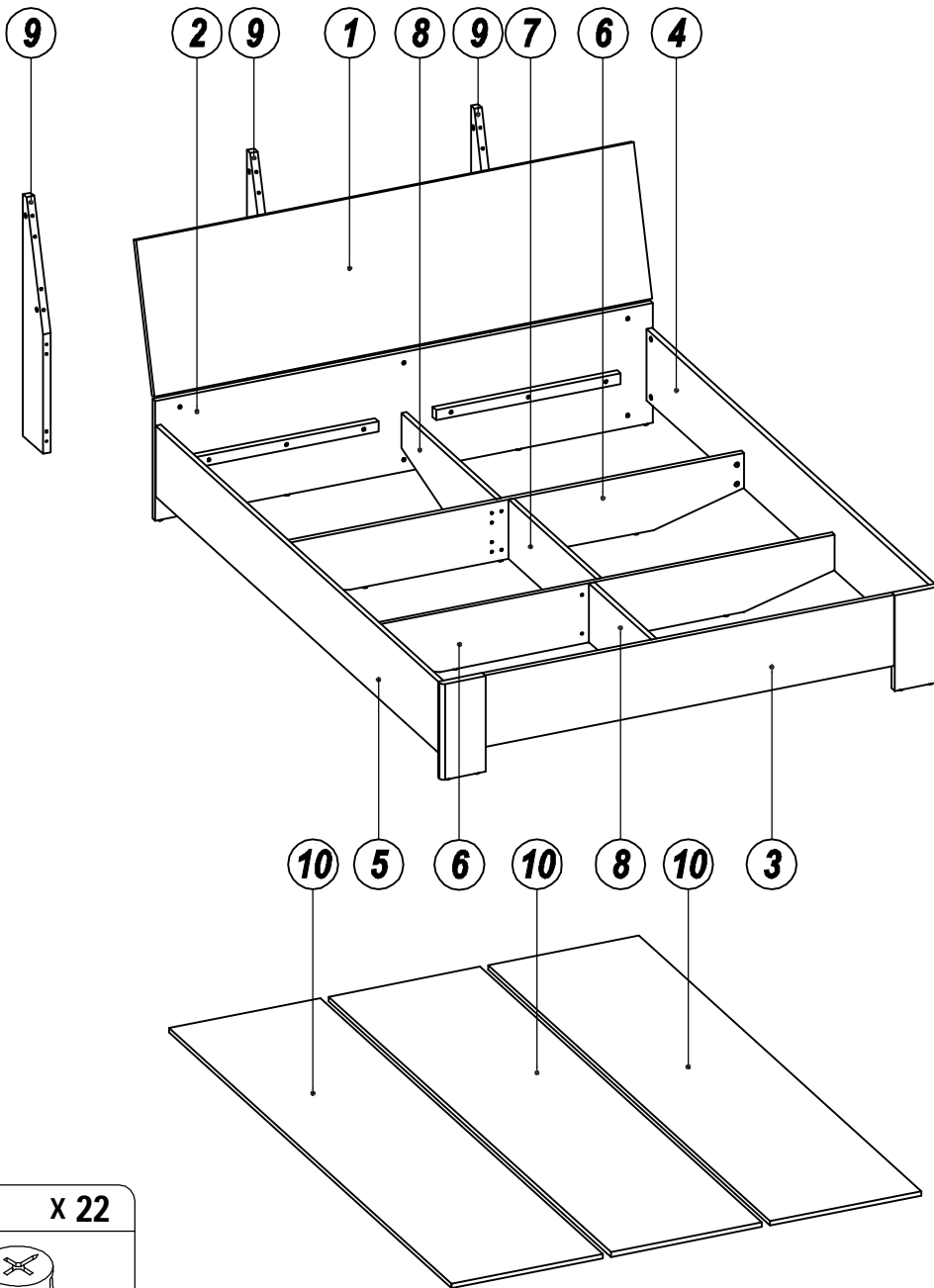
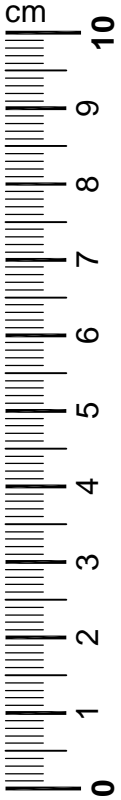
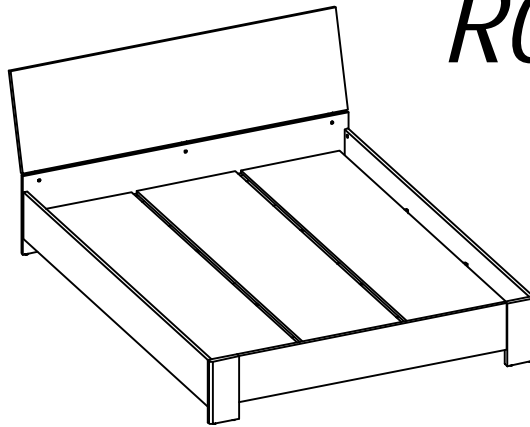
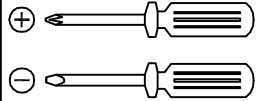
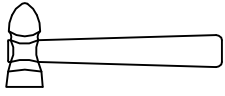
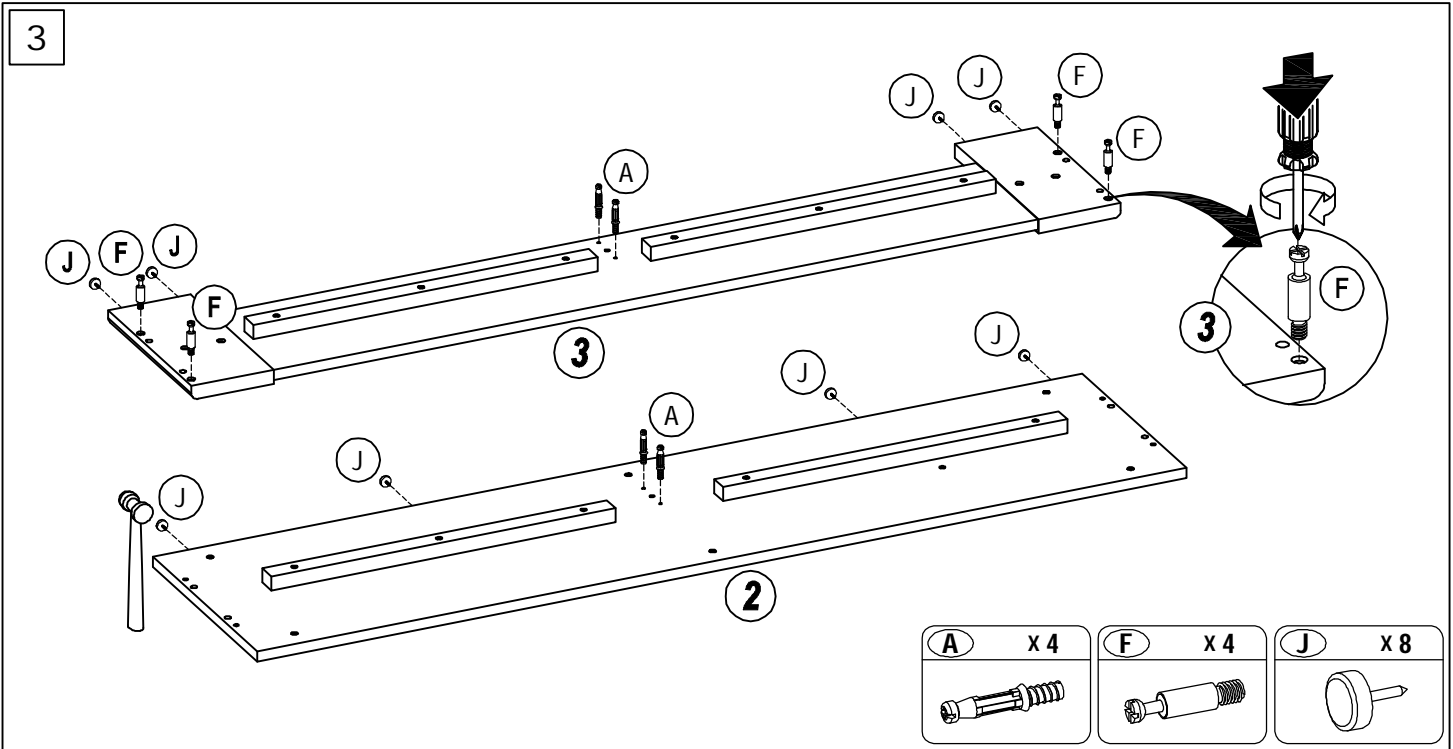
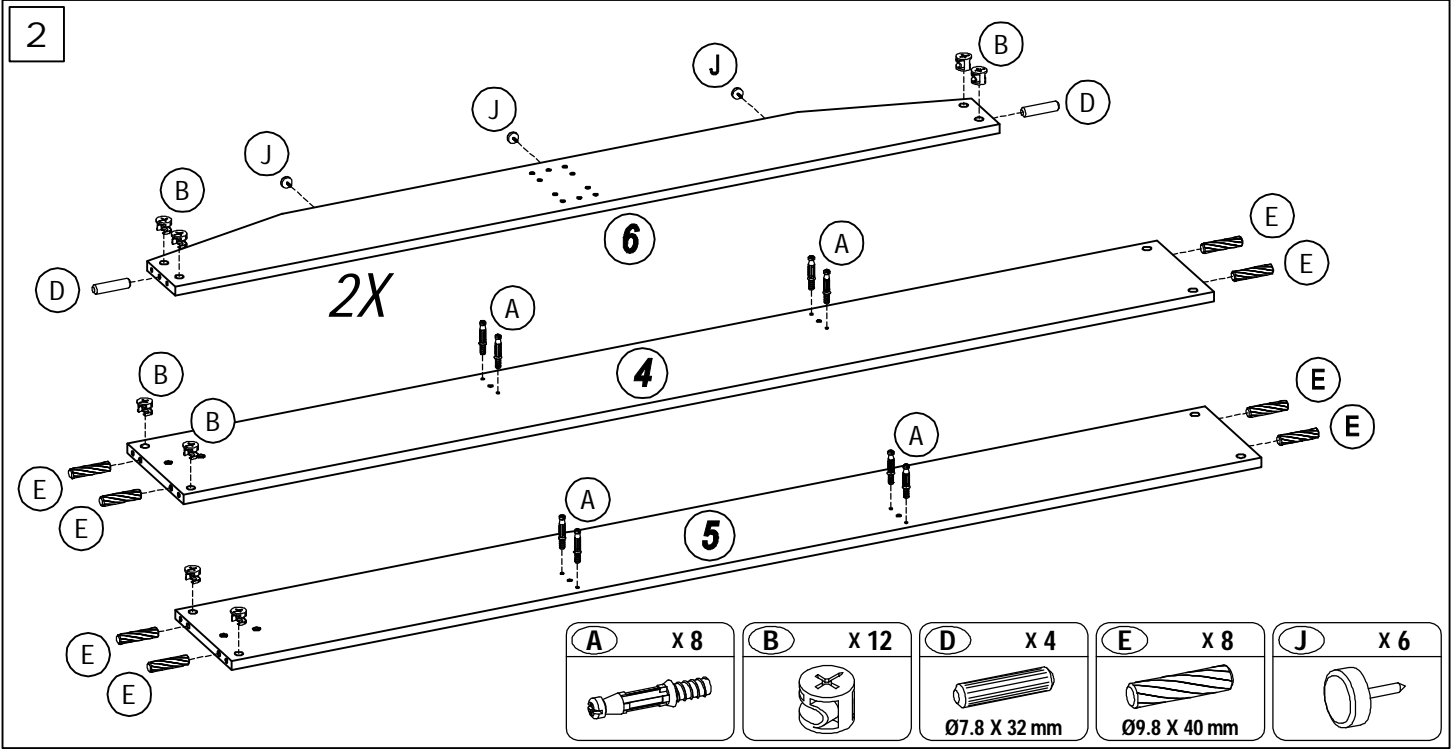
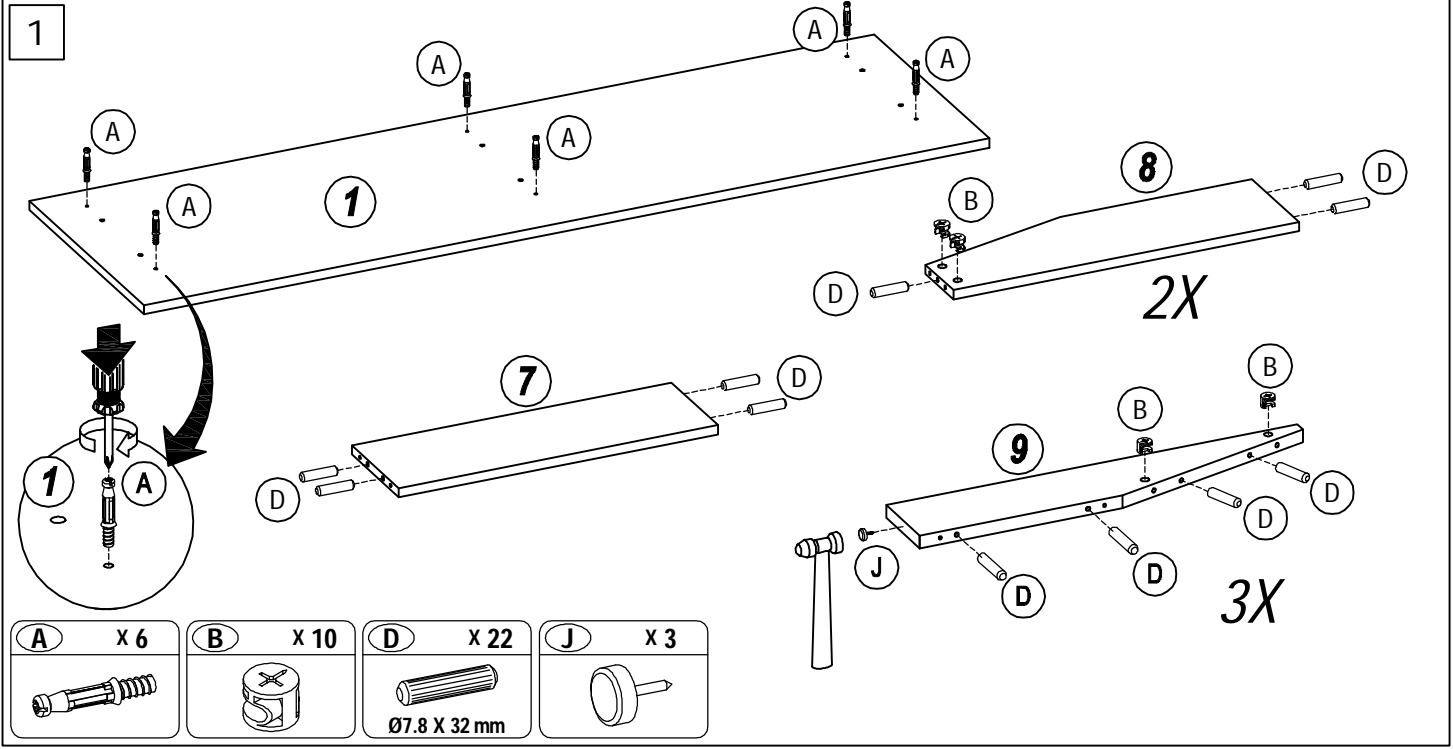


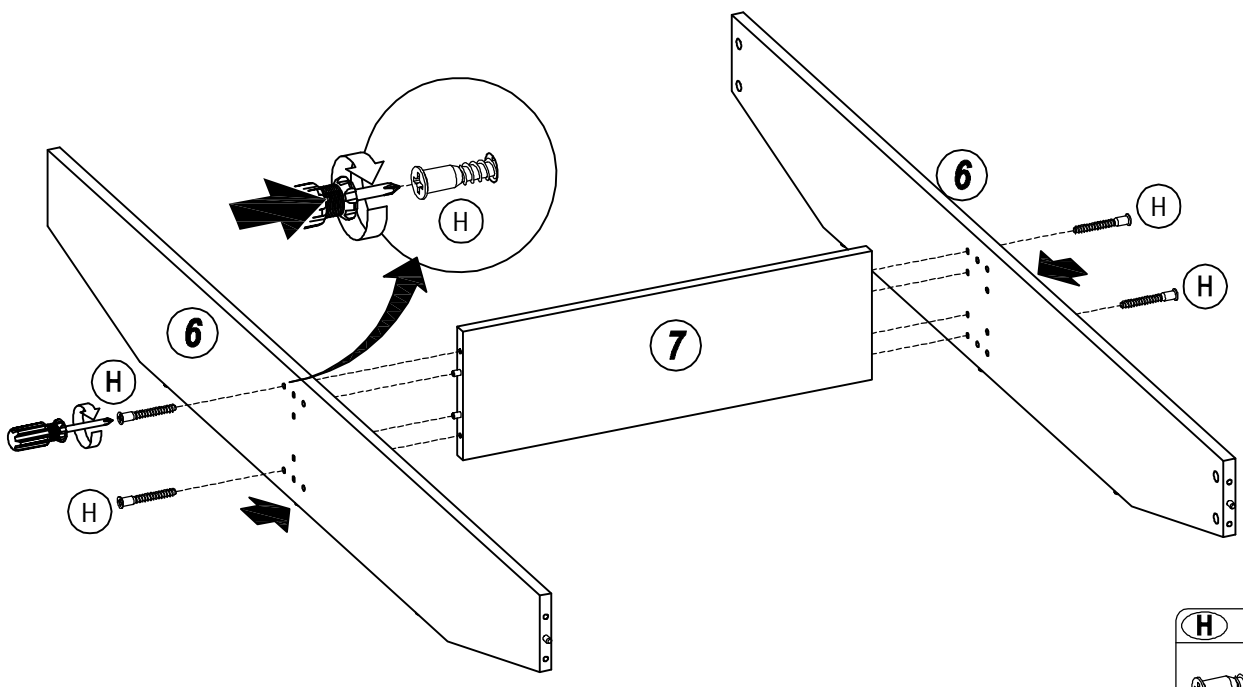
60
MNT

ROBD 160



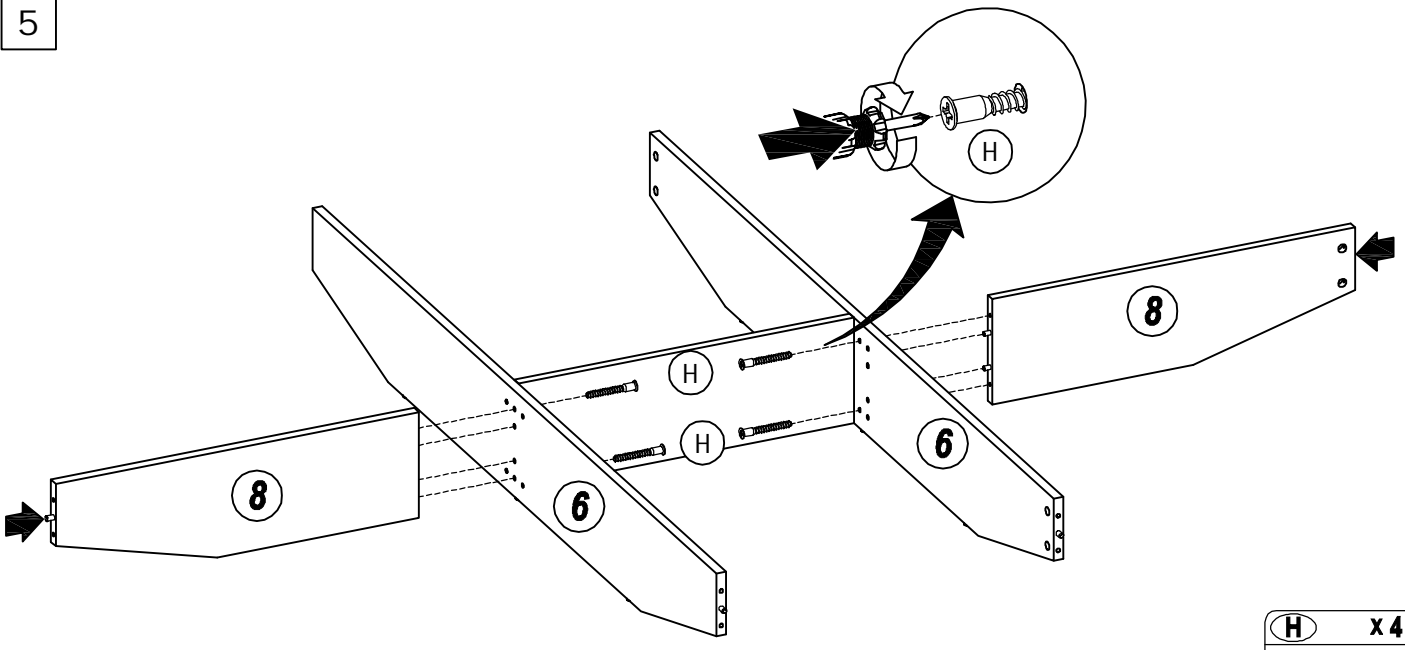


4



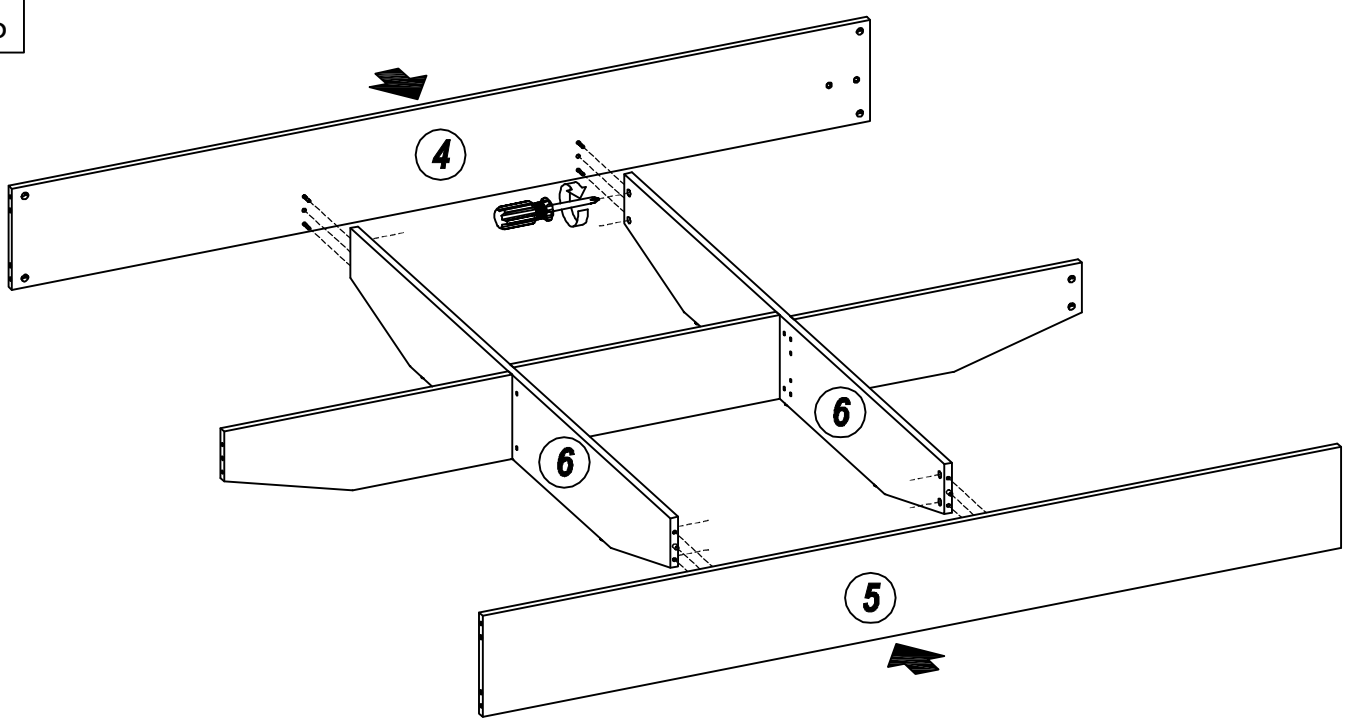
H x 4

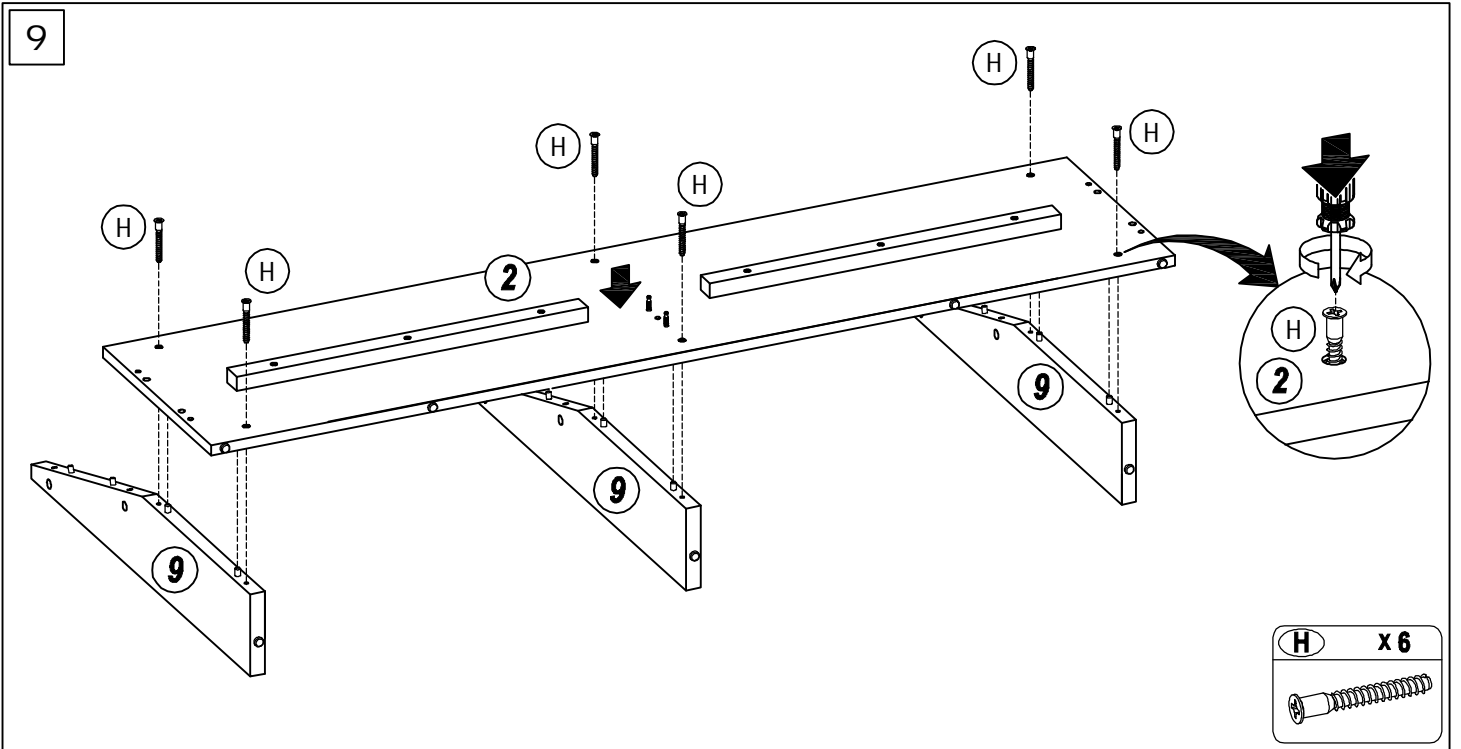
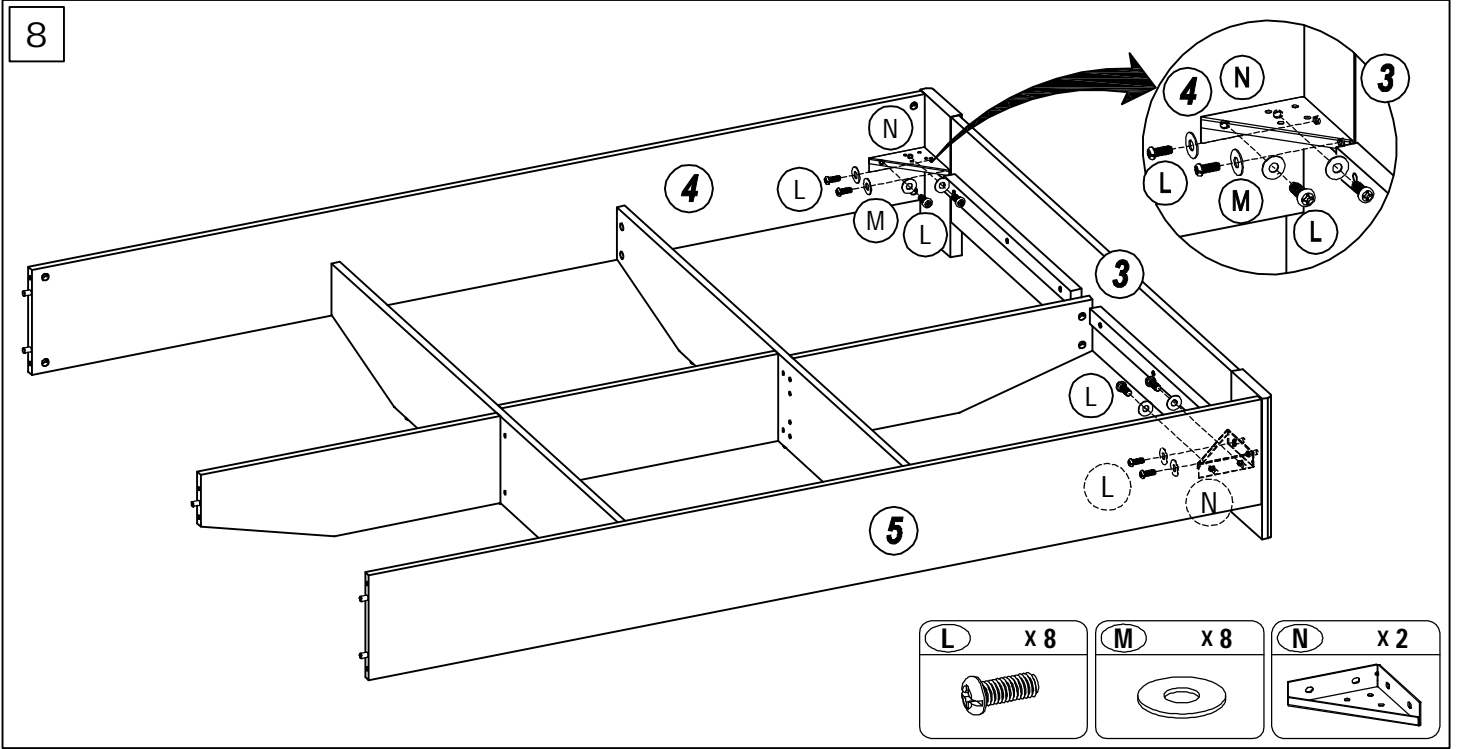
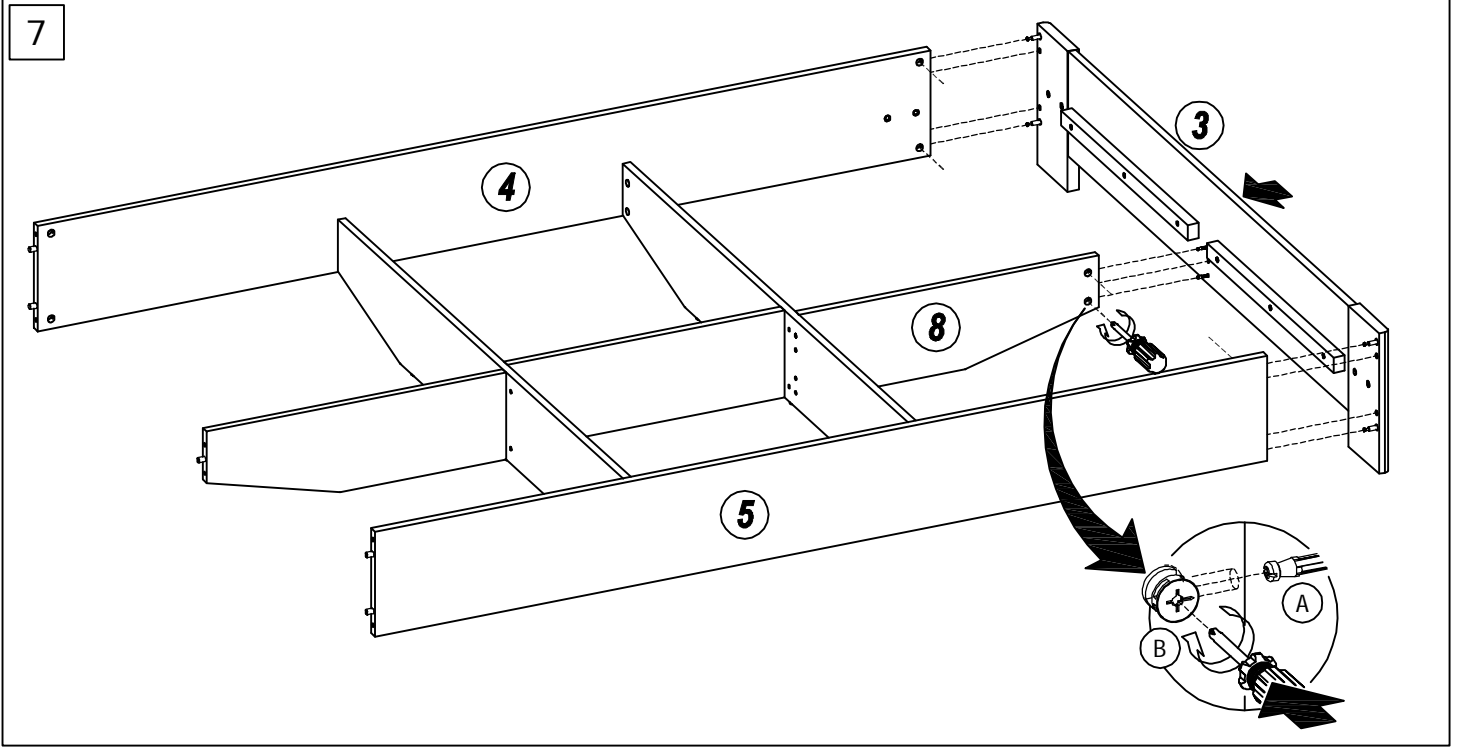
5



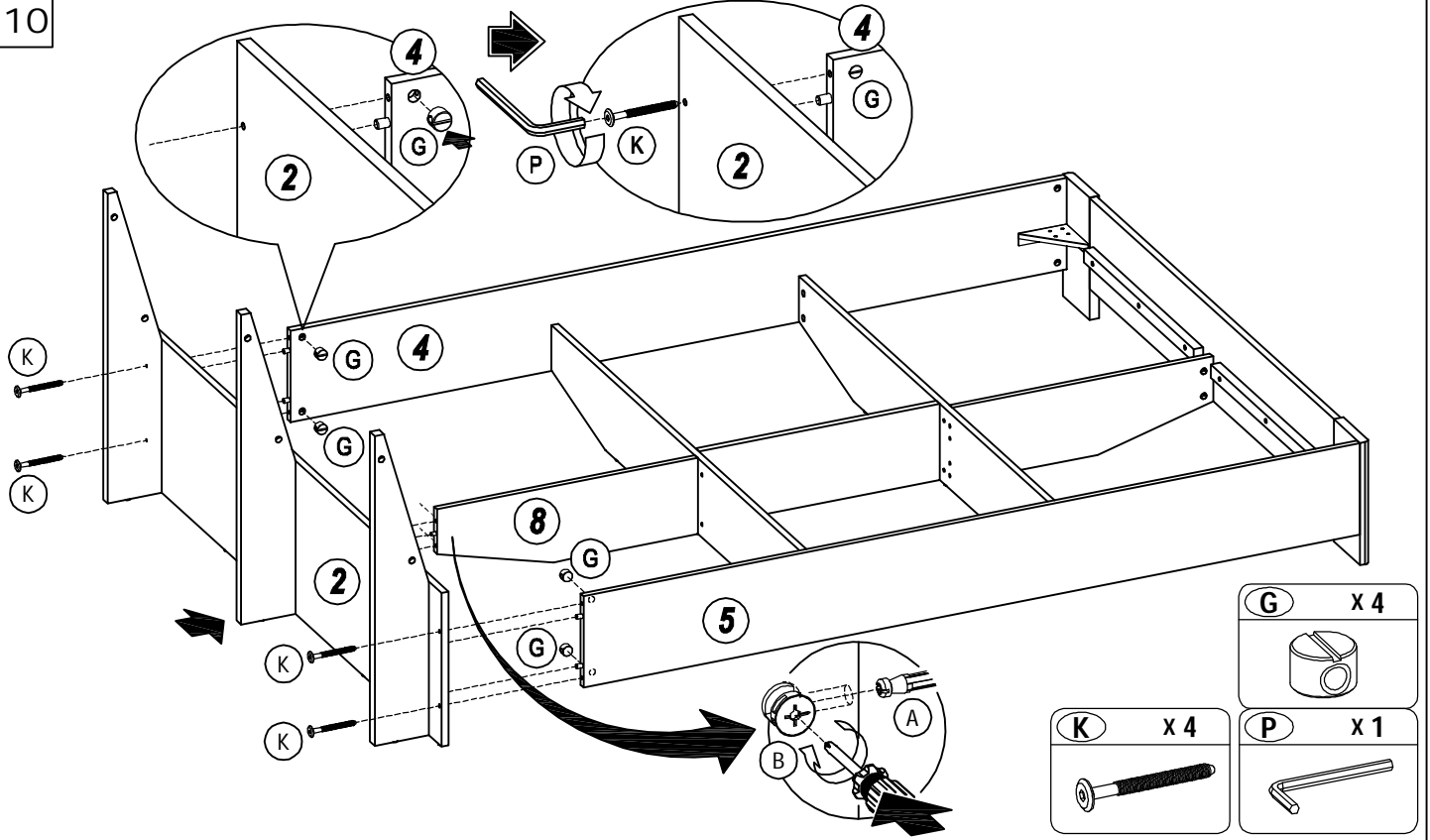
H x 4

6

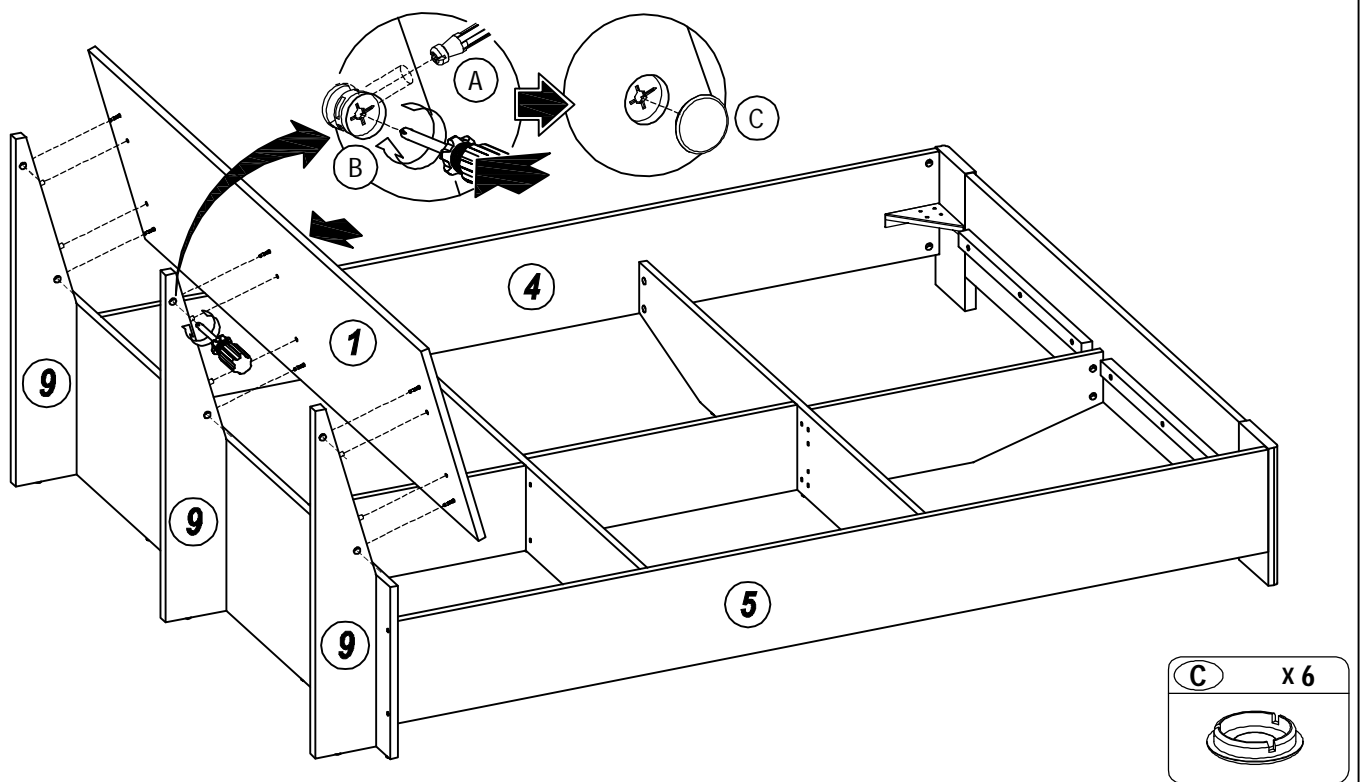




10



11



12

