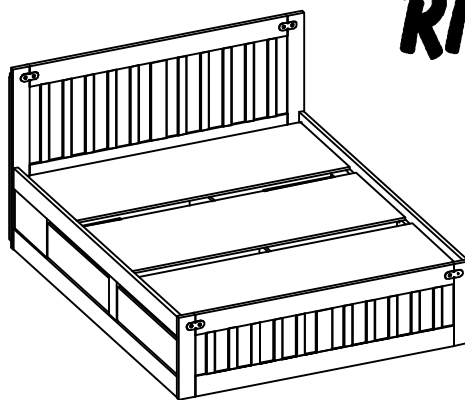
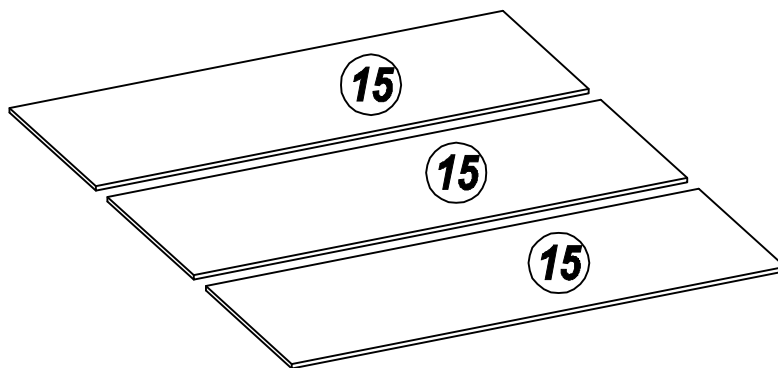
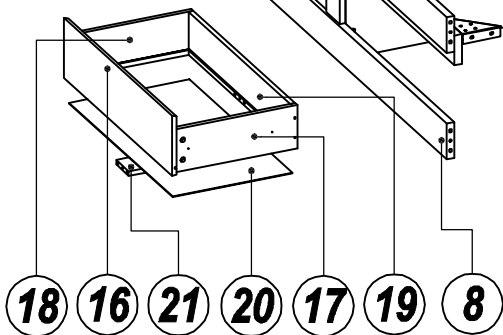
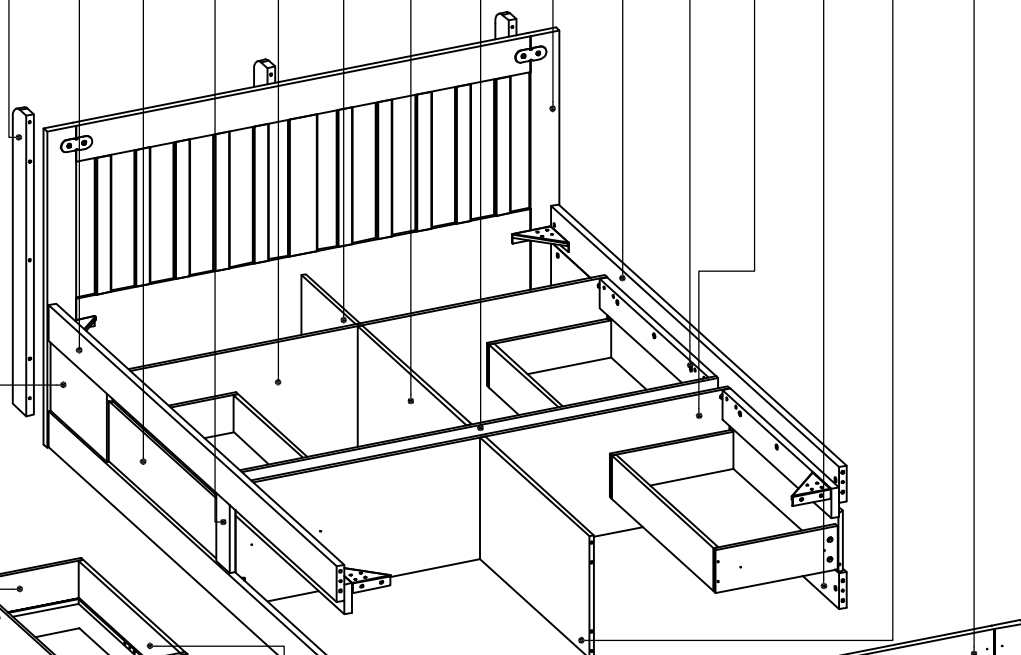


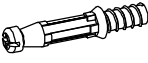



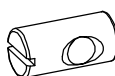

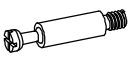


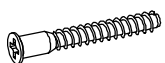






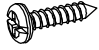





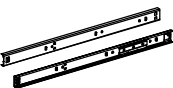
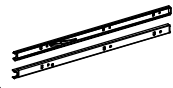


60  
MNT

# RMVBD 160

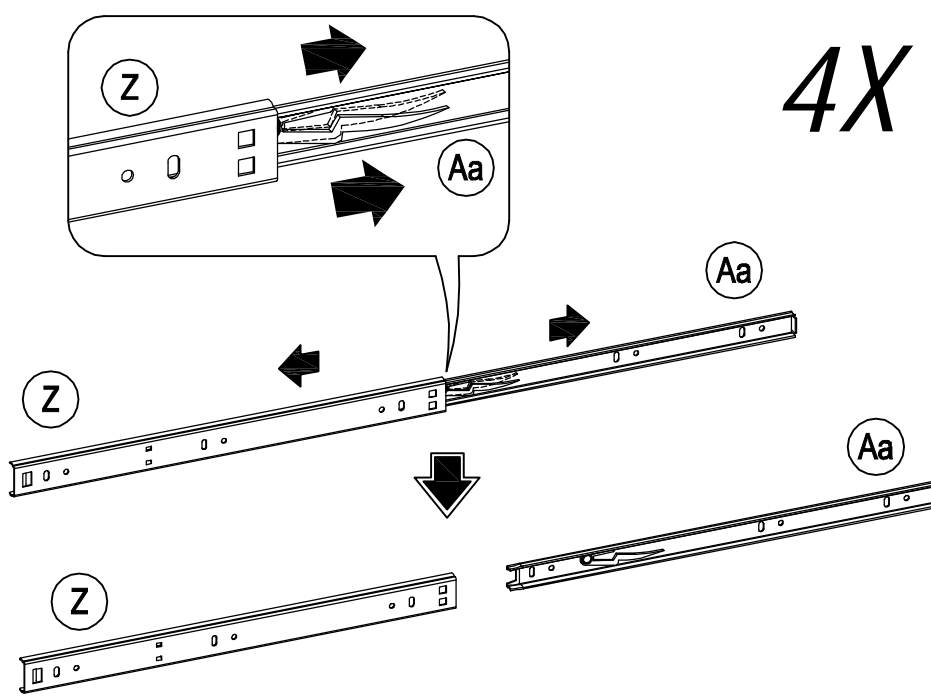


- 5
- 14
- 4
- 16
- 6
- 10
- 13
- 12
- 11
- 1
- 3
- 9
- 11
- 7
- 12
- 2

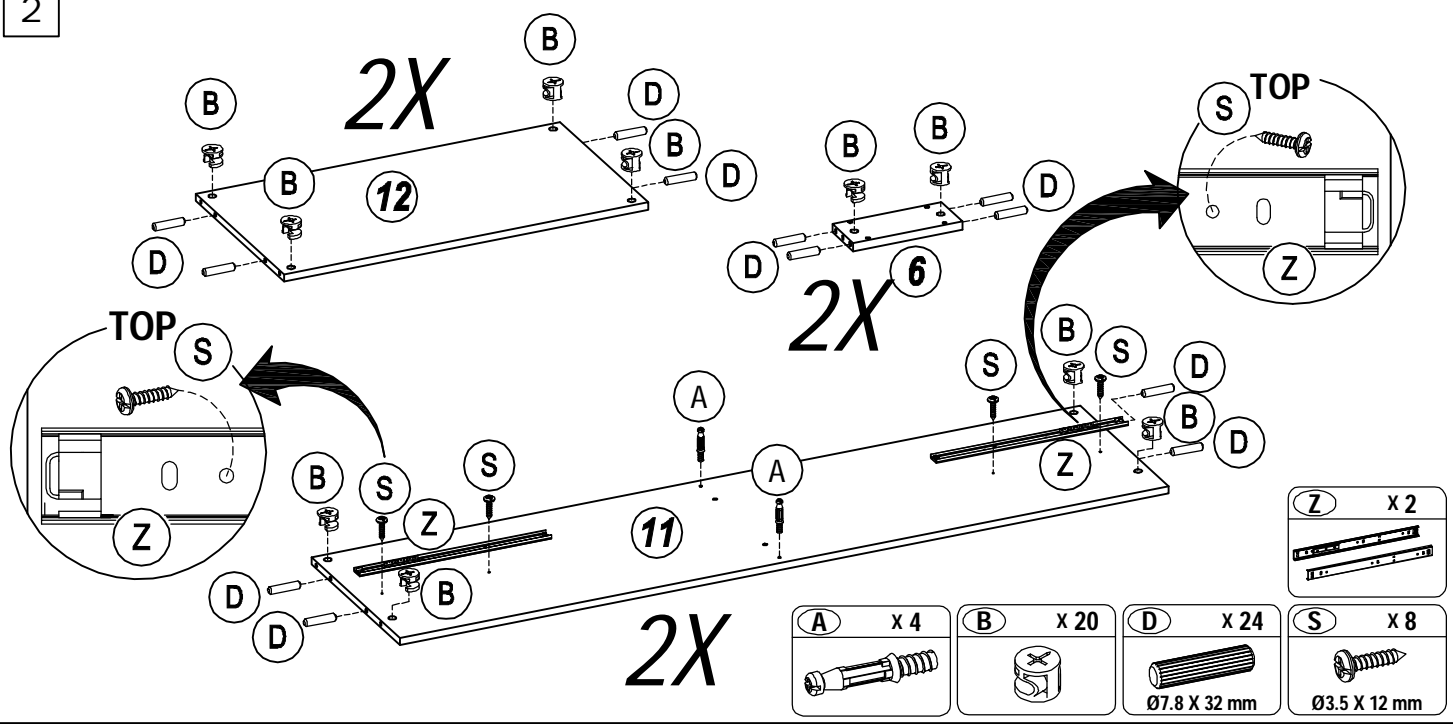


<b>A</b> x 53 	<b>B</b> x 69 	<b>C</b> x 16 Ø9.8 X 40 mm 	<b>D</b> x 86 Ø7.8 X 32 mm 	<b>E</b> x 4 	<b>F</b> x 12 	<b>G</b> x 4 Ø7 X 24 mm 
<b>H</b> x 12 Ø7 X 34 mm 	<b>J</b> x 16 Ø3.5 X 37 mm 	<b>K</b> x 4 	<b>L</b> x 4 M6 X 55 mm 	<b>M</b> x 12 M6 X 40 mm 	<b>N</b> x 12 M6 X 20 mm 	<b>P</b> x 4 M6 X 45 mm 
<b>Q</b> x 16 	<b>R</b> x 1 	<b>S</b> x 40 Ø3.5 X 12 mm 	<b>T</b> x 4 	<b>U</b> x 8 	<b>V</b> x 16 	<b>W</b> x 16 Ø3.5 X 19 mm 
<b>Y</b> x 4 	<b>Z</b> x 4 	<b>Aa</b> x 4 	<b>Ab</b> x 16 	<b>ac</b> x 9 		

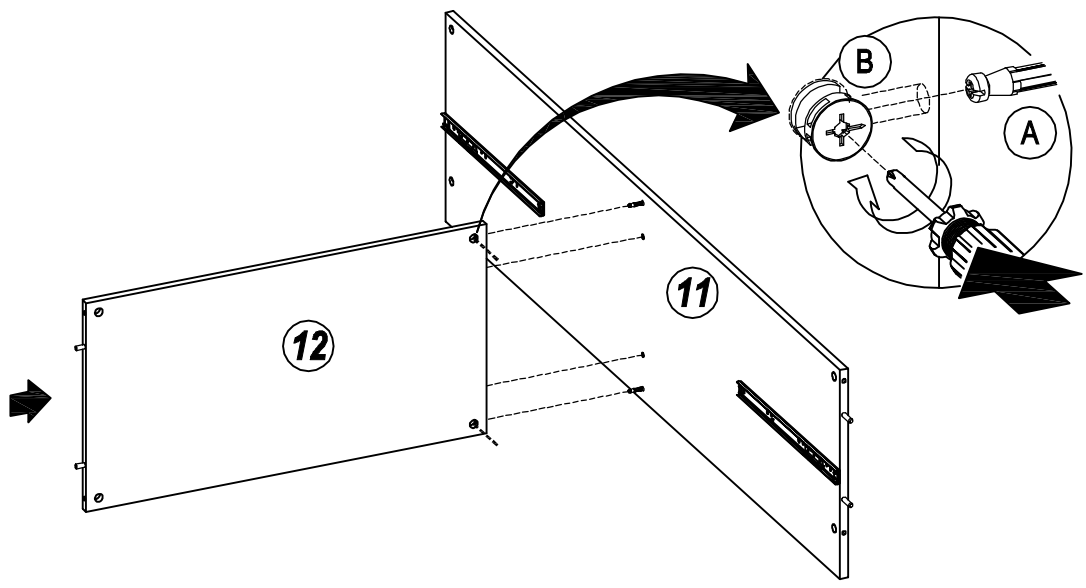
1

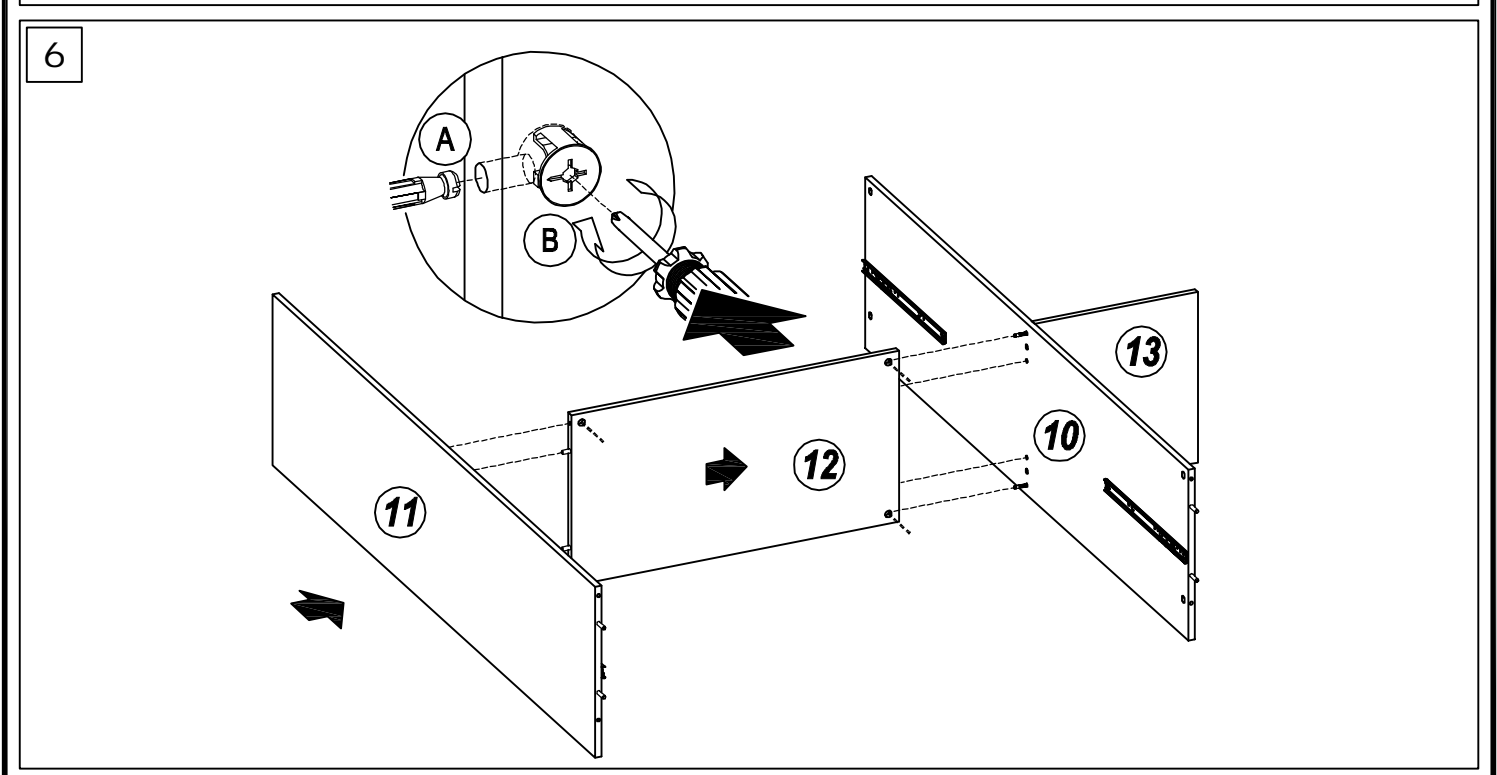
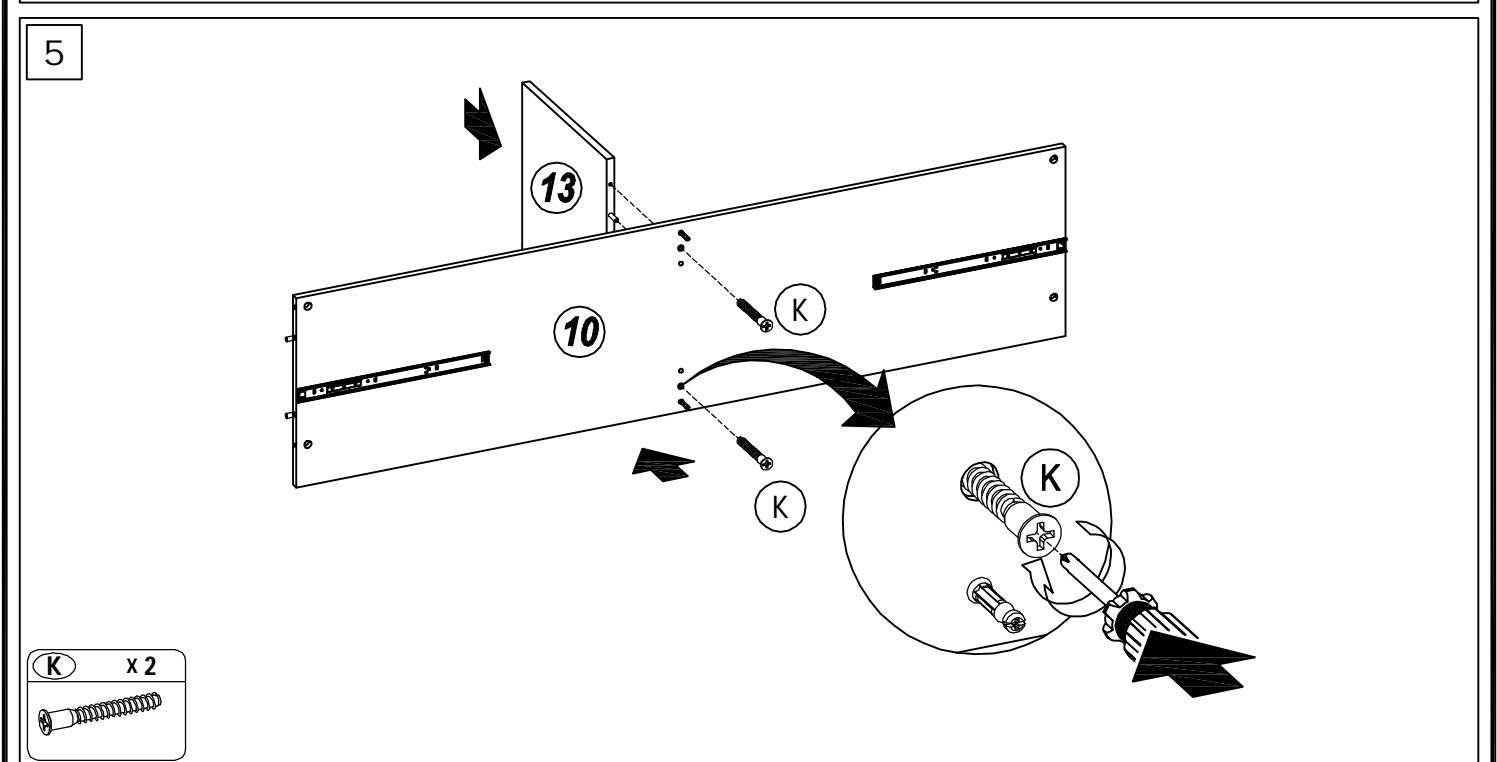
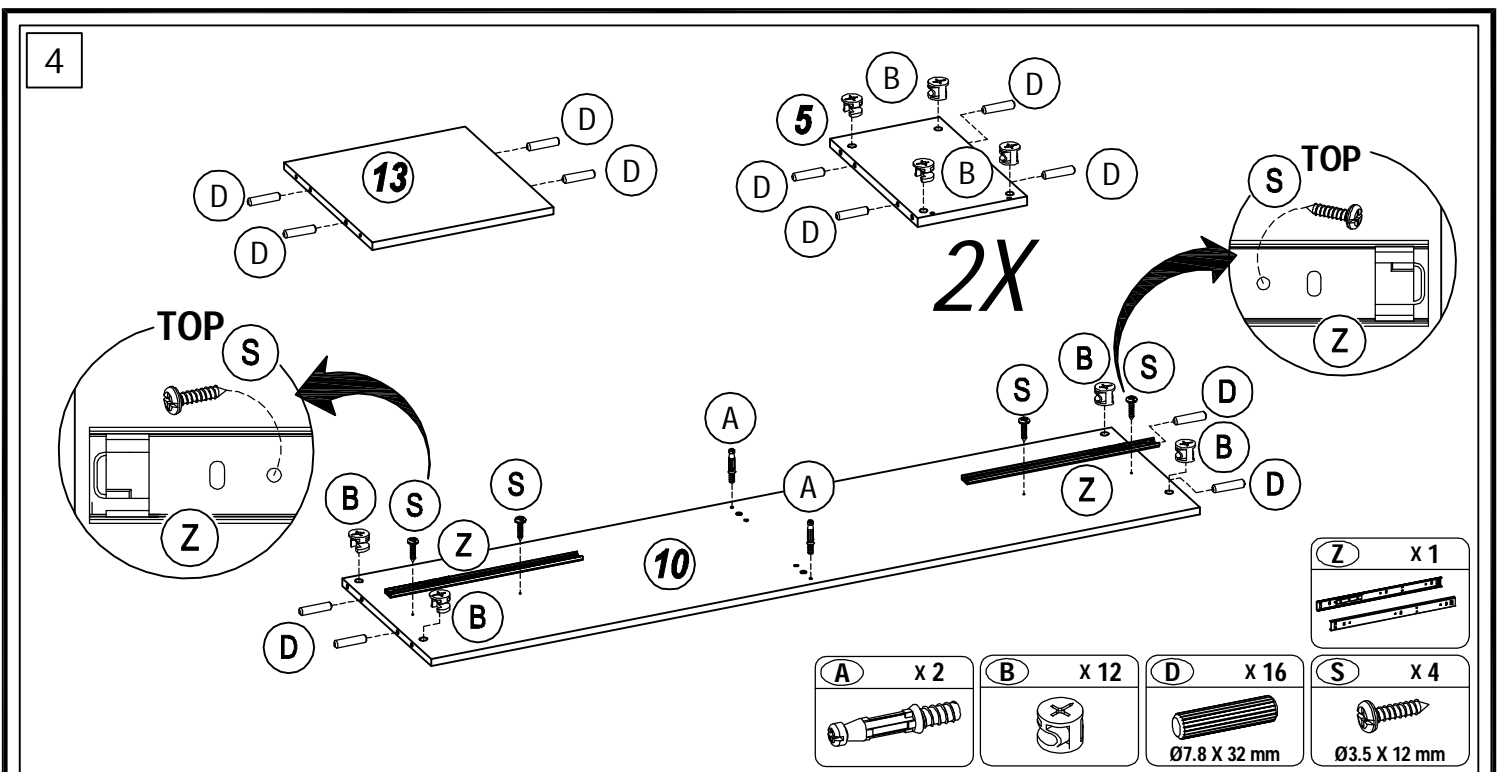


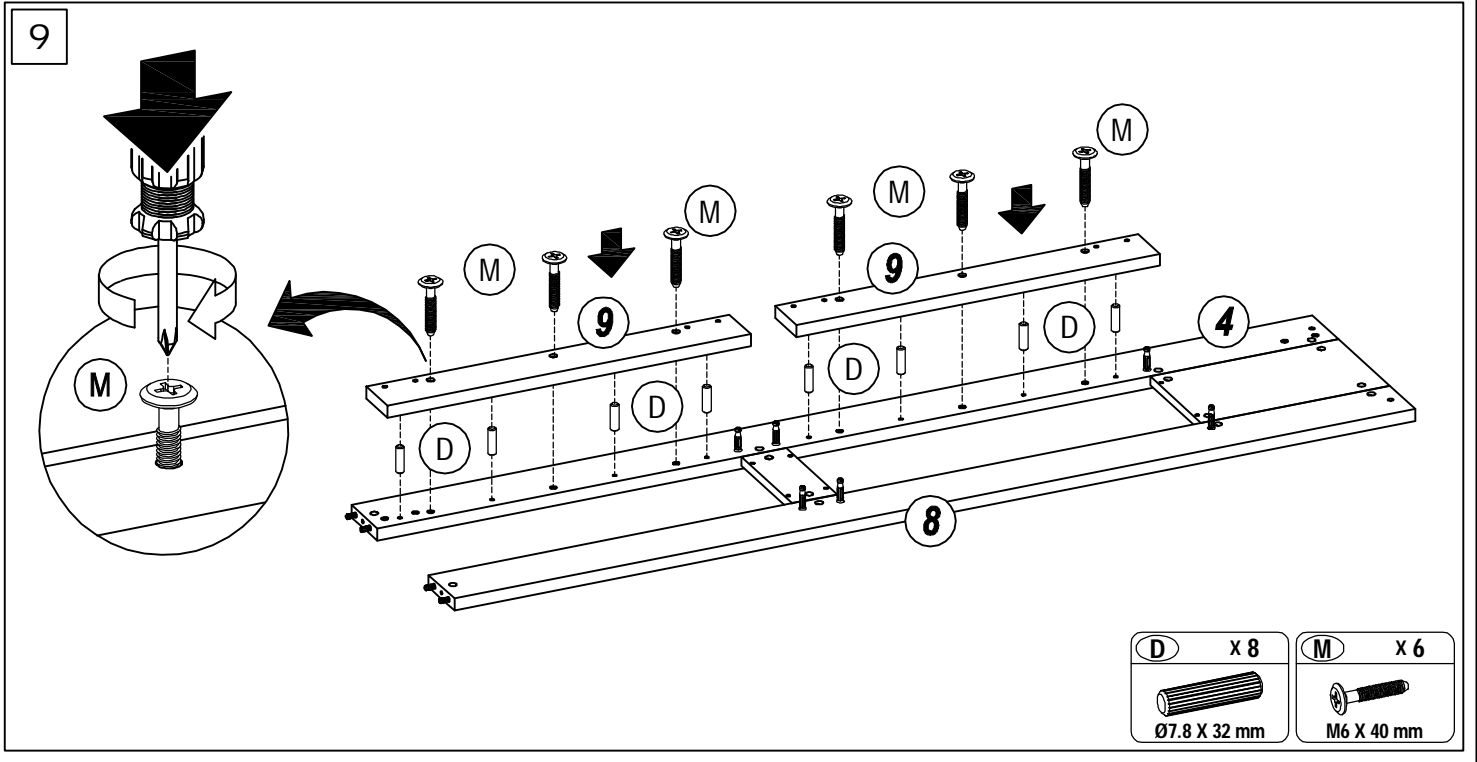
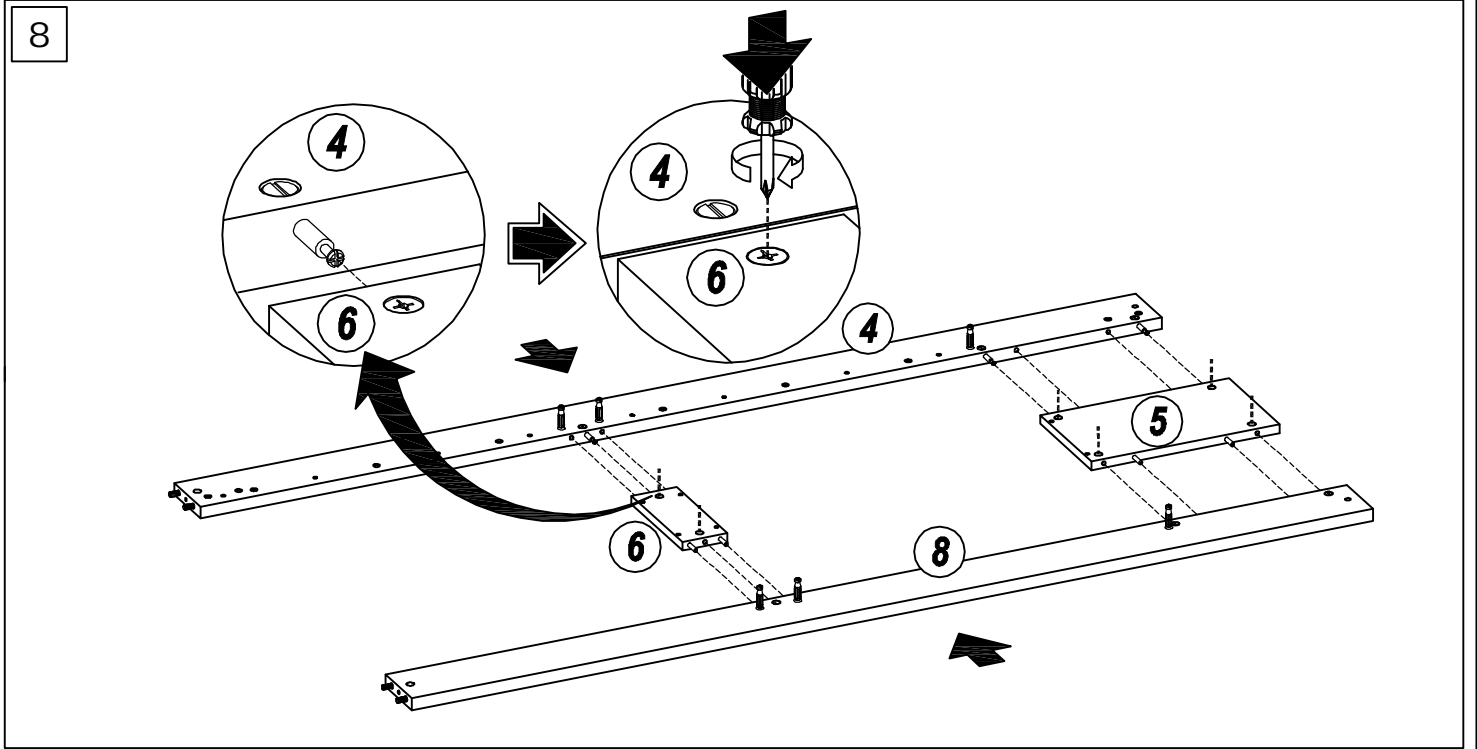
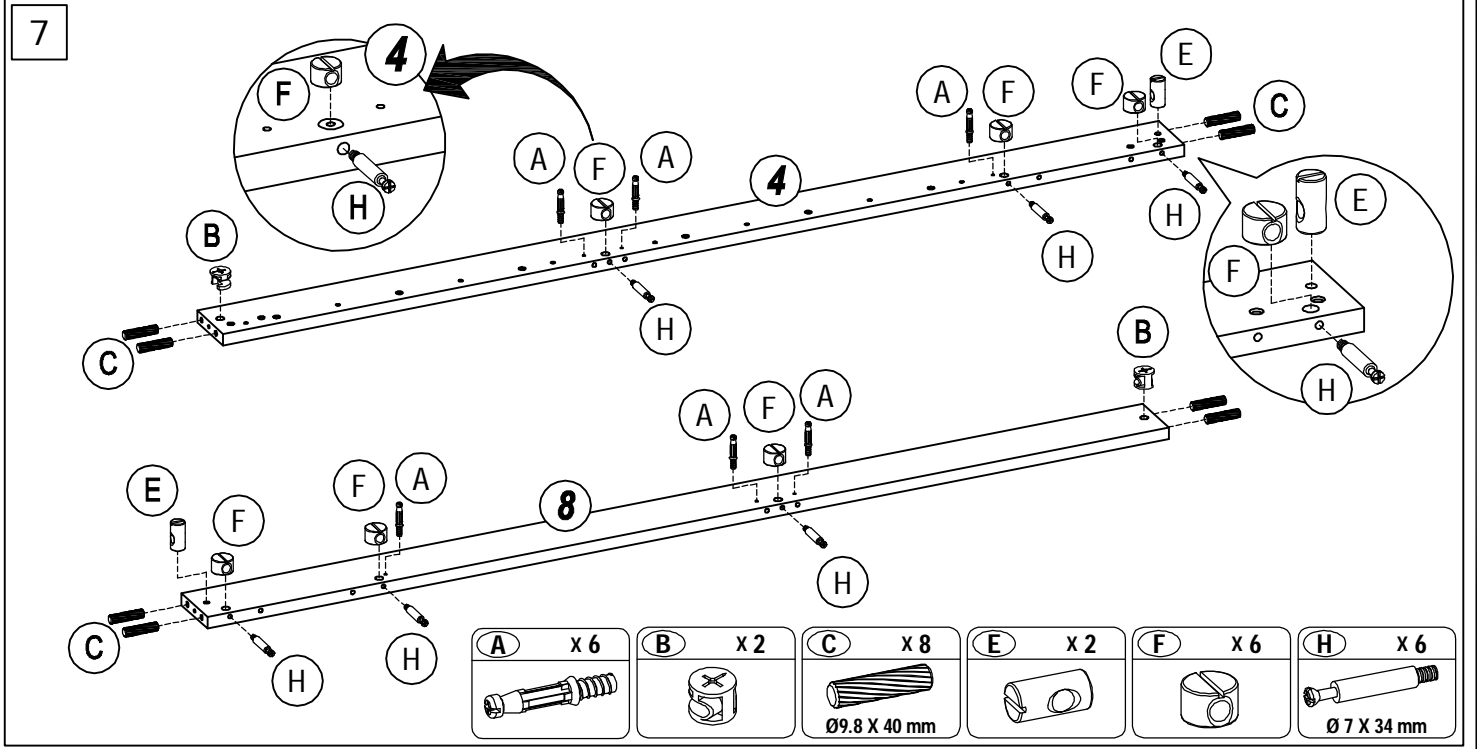
2



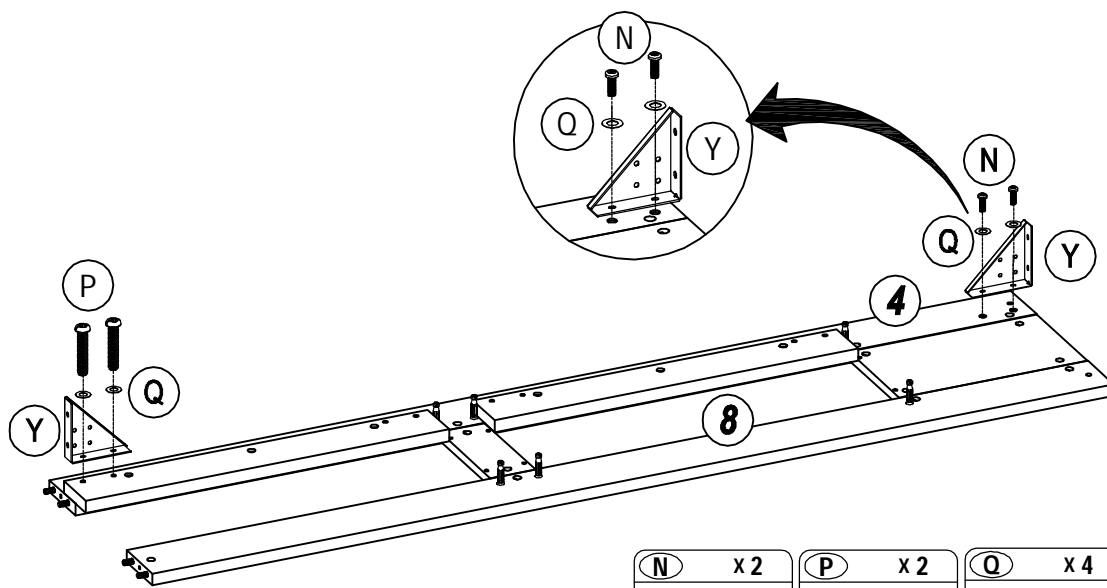
3





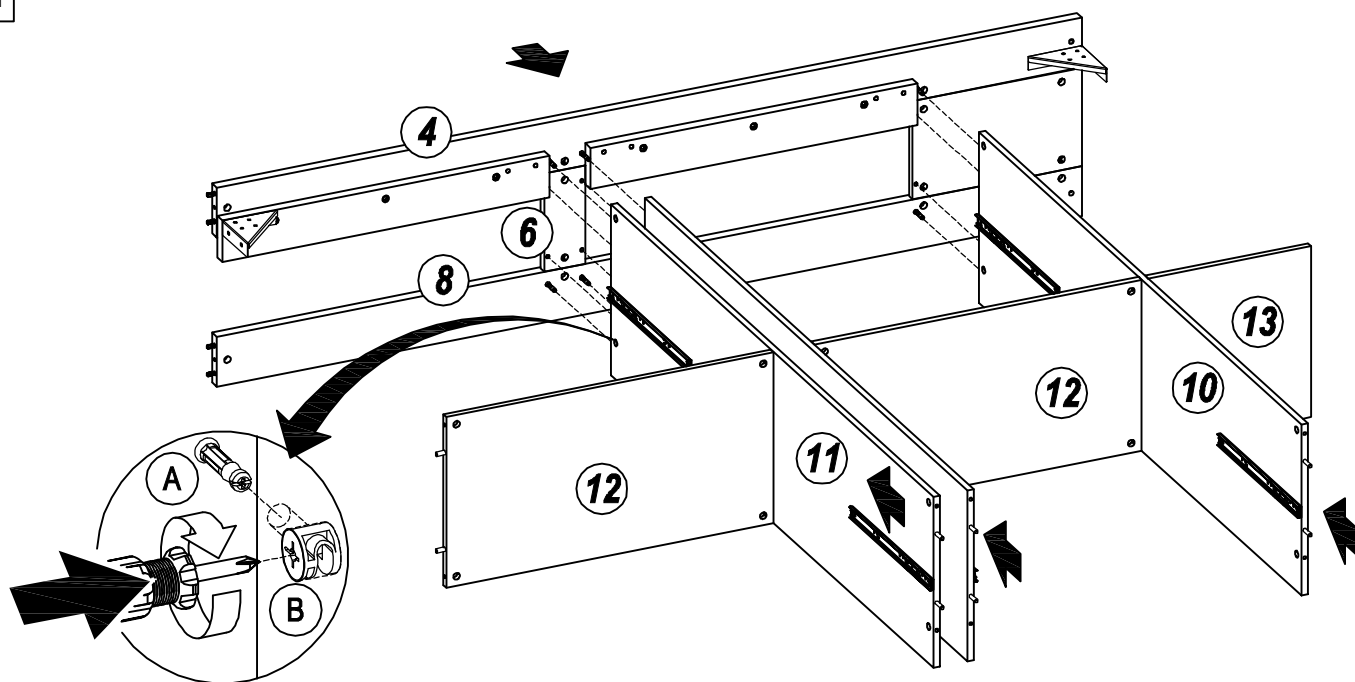


10

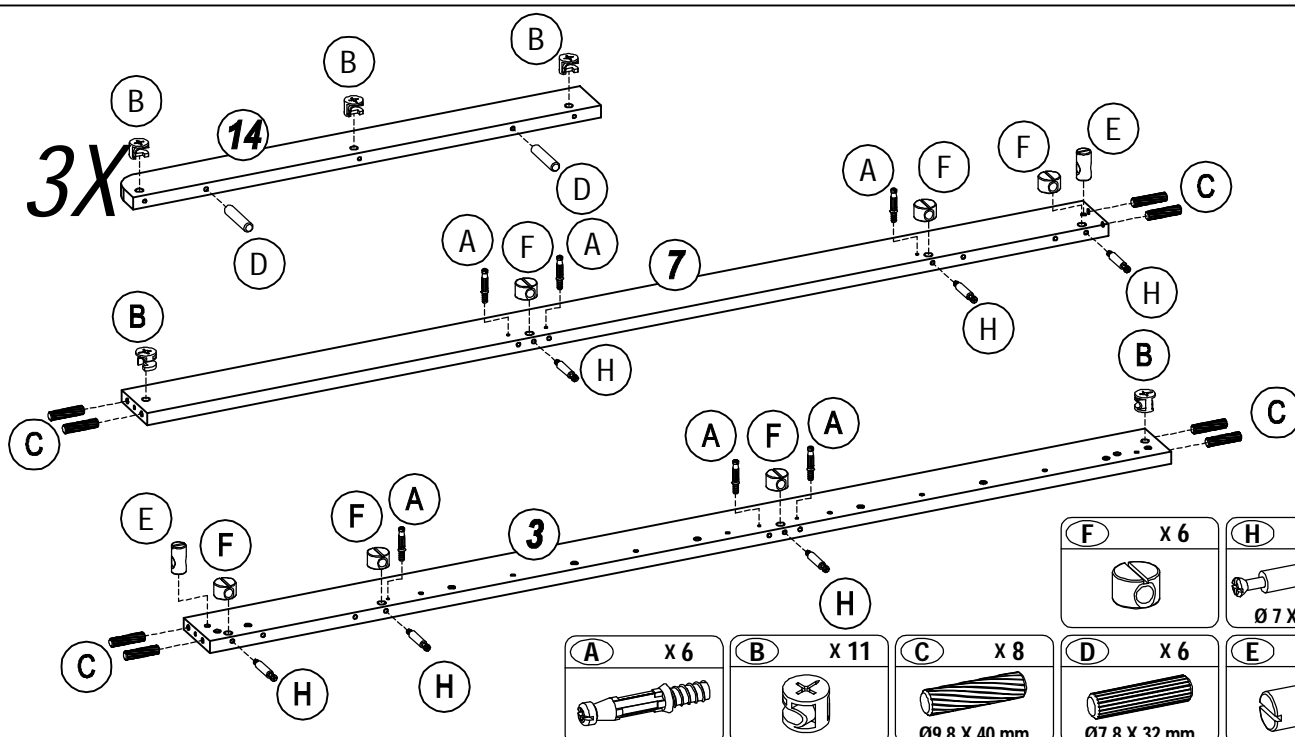


N x2	P x2	Q x4	Y x2

11

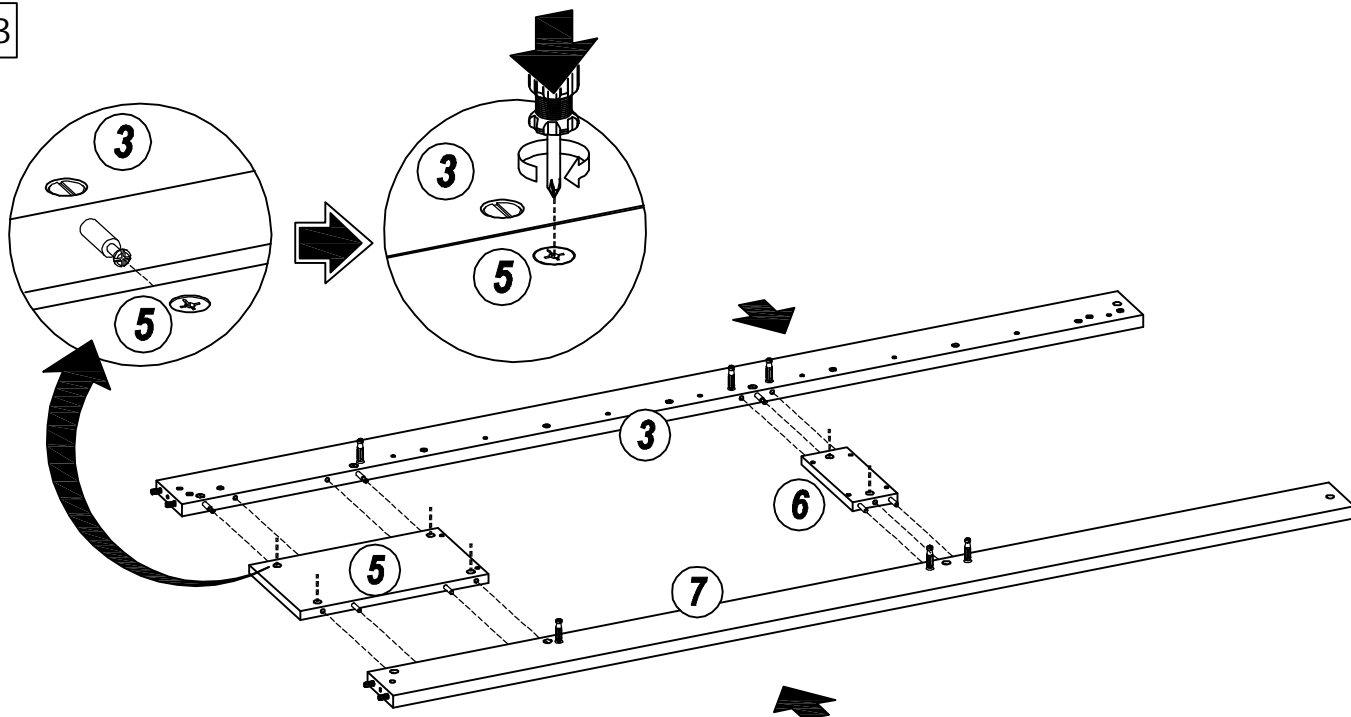


12

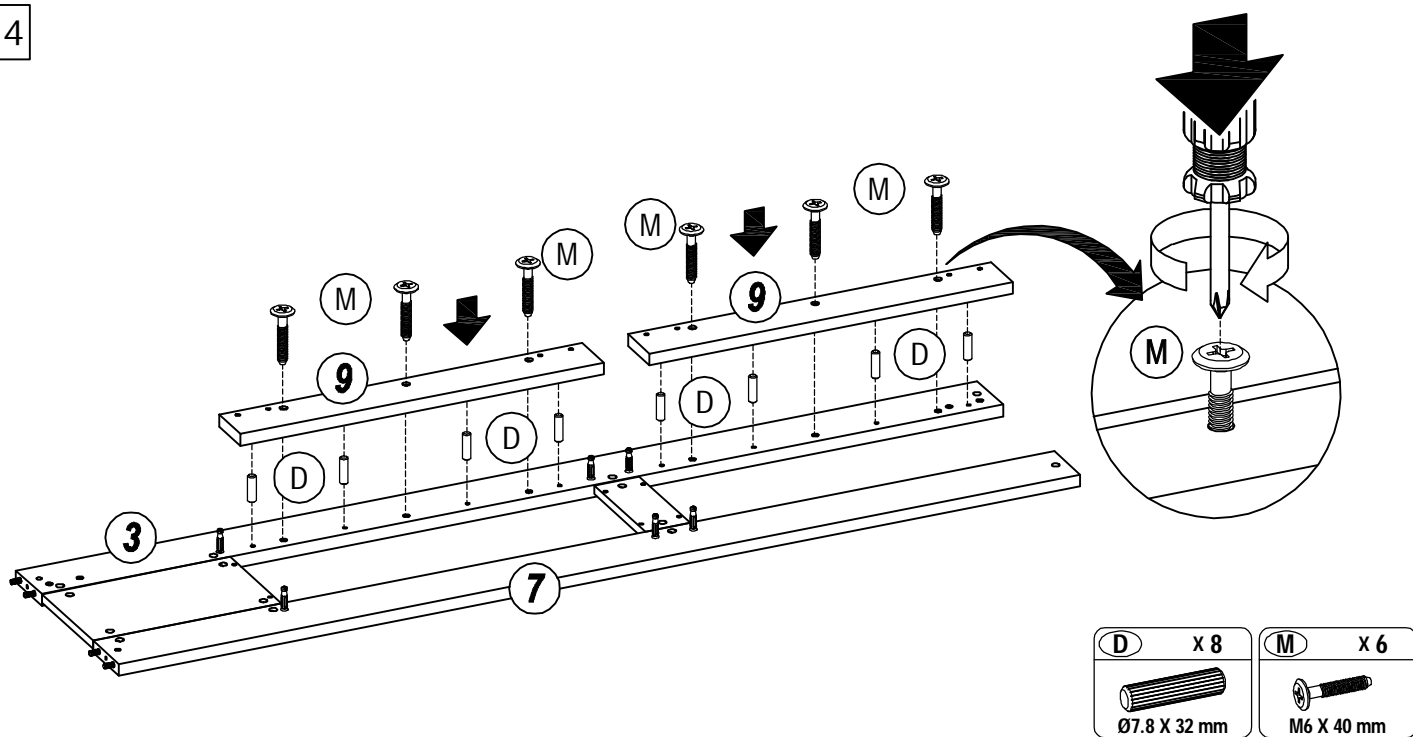


A x6	B x11	C x8	D x6	E x2	F x6	H x6
		Ø9.8 X 40 mm	Ø7.8 X 32 mm			Ø7 X 34 mm

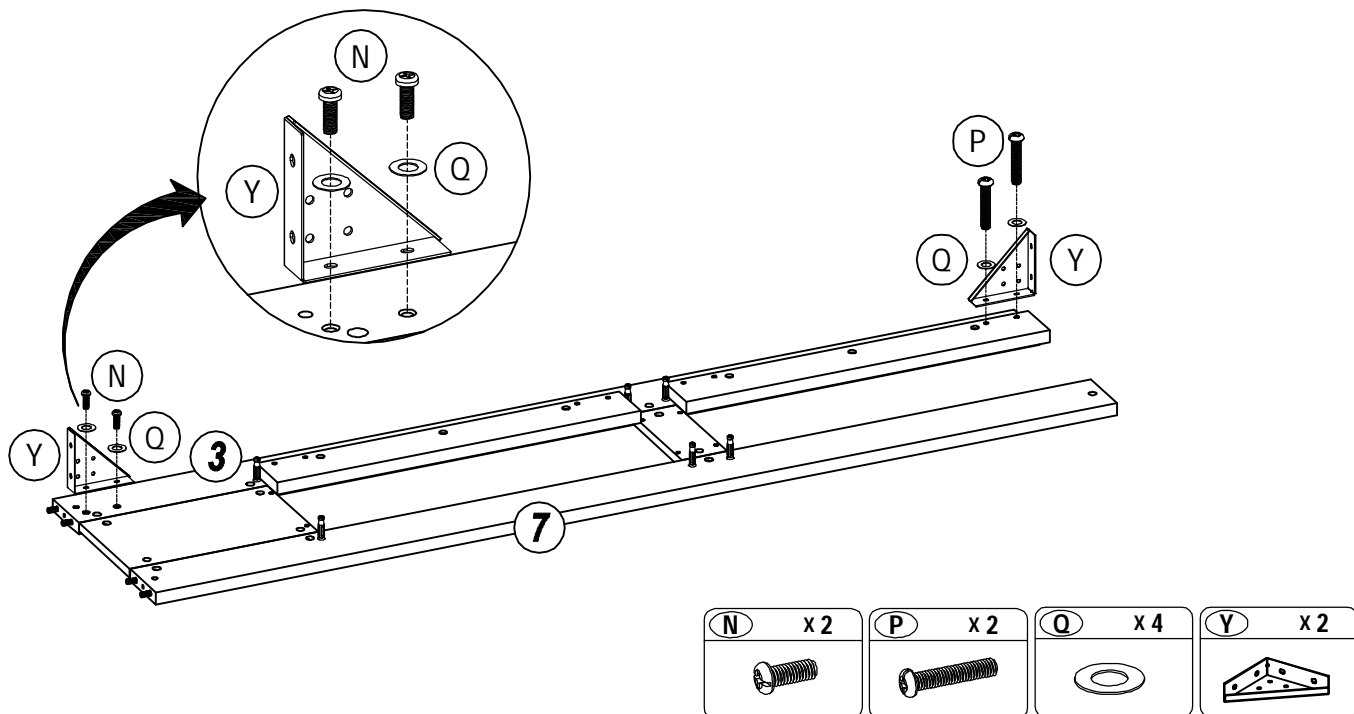
13



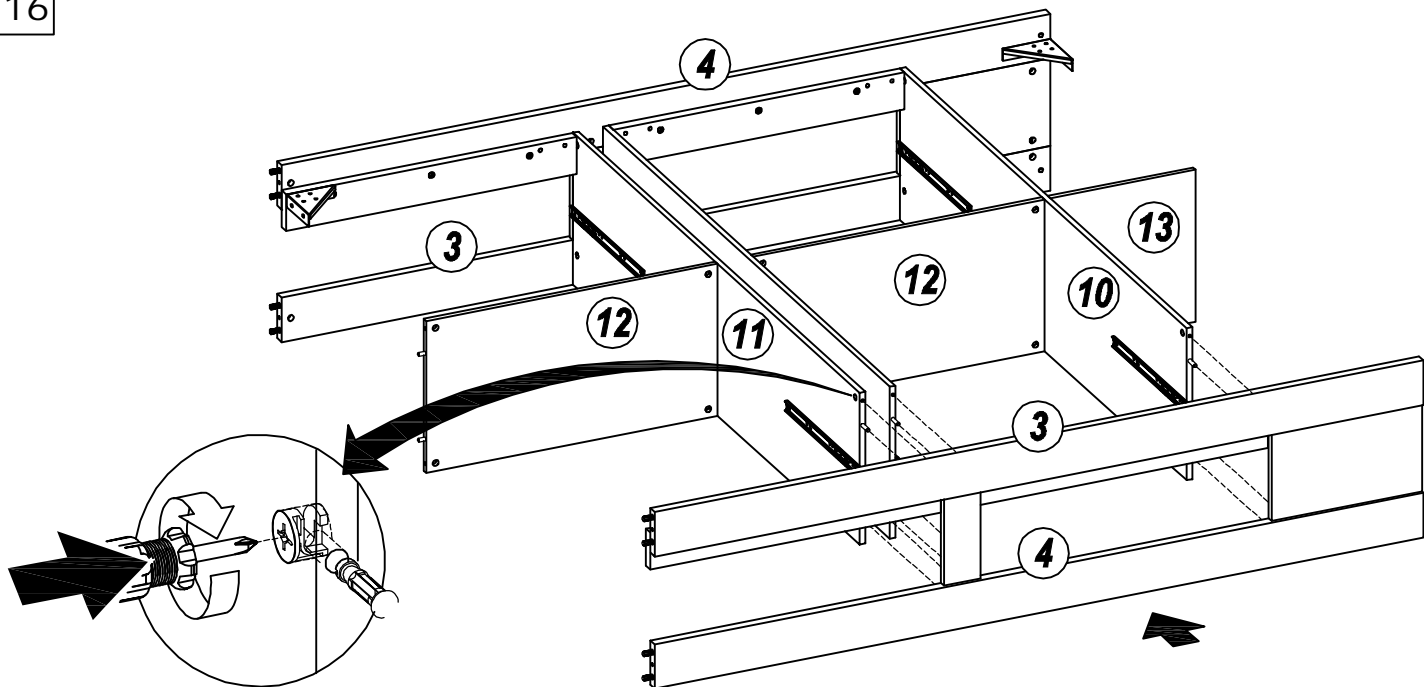
14



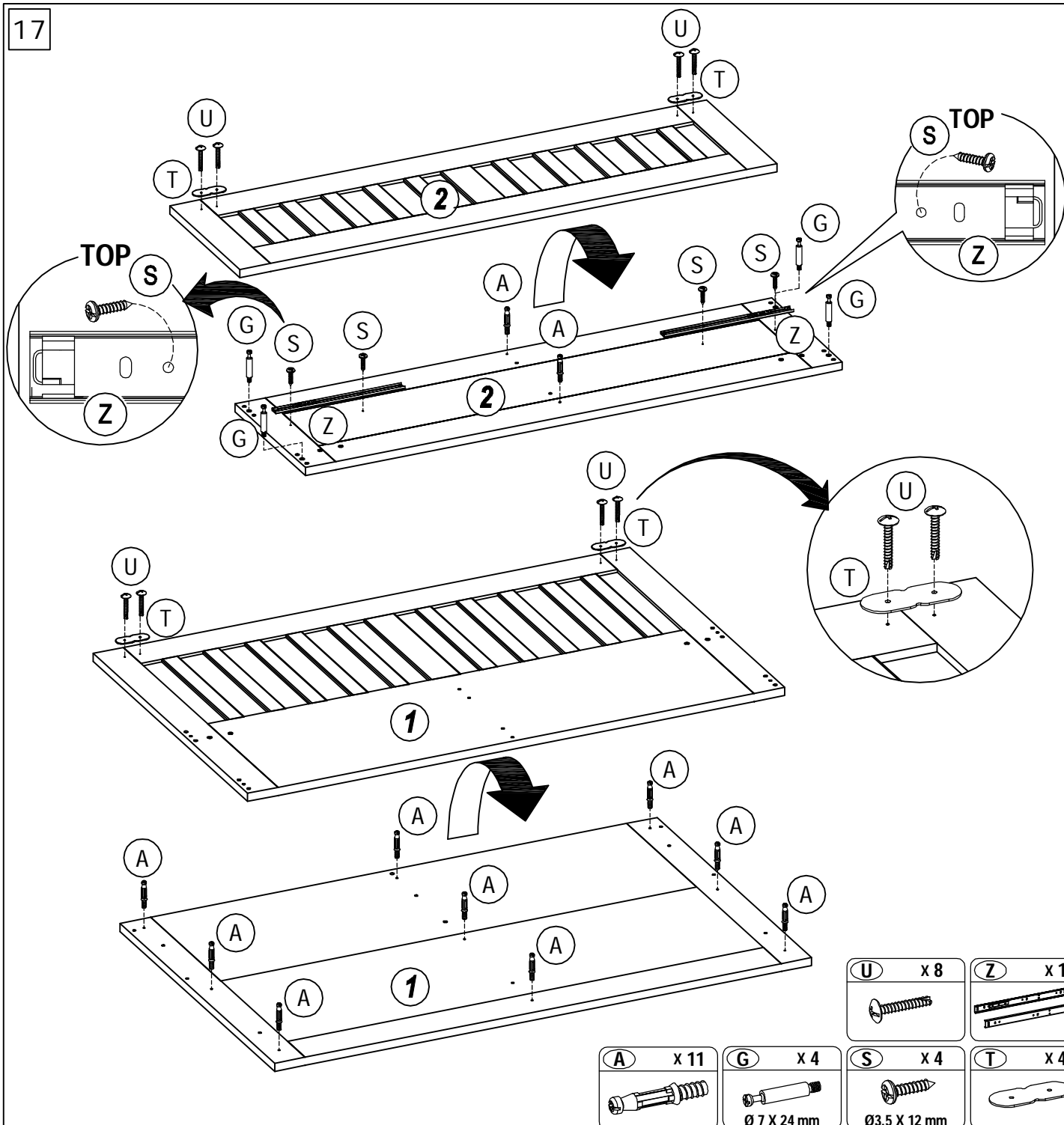
15



16

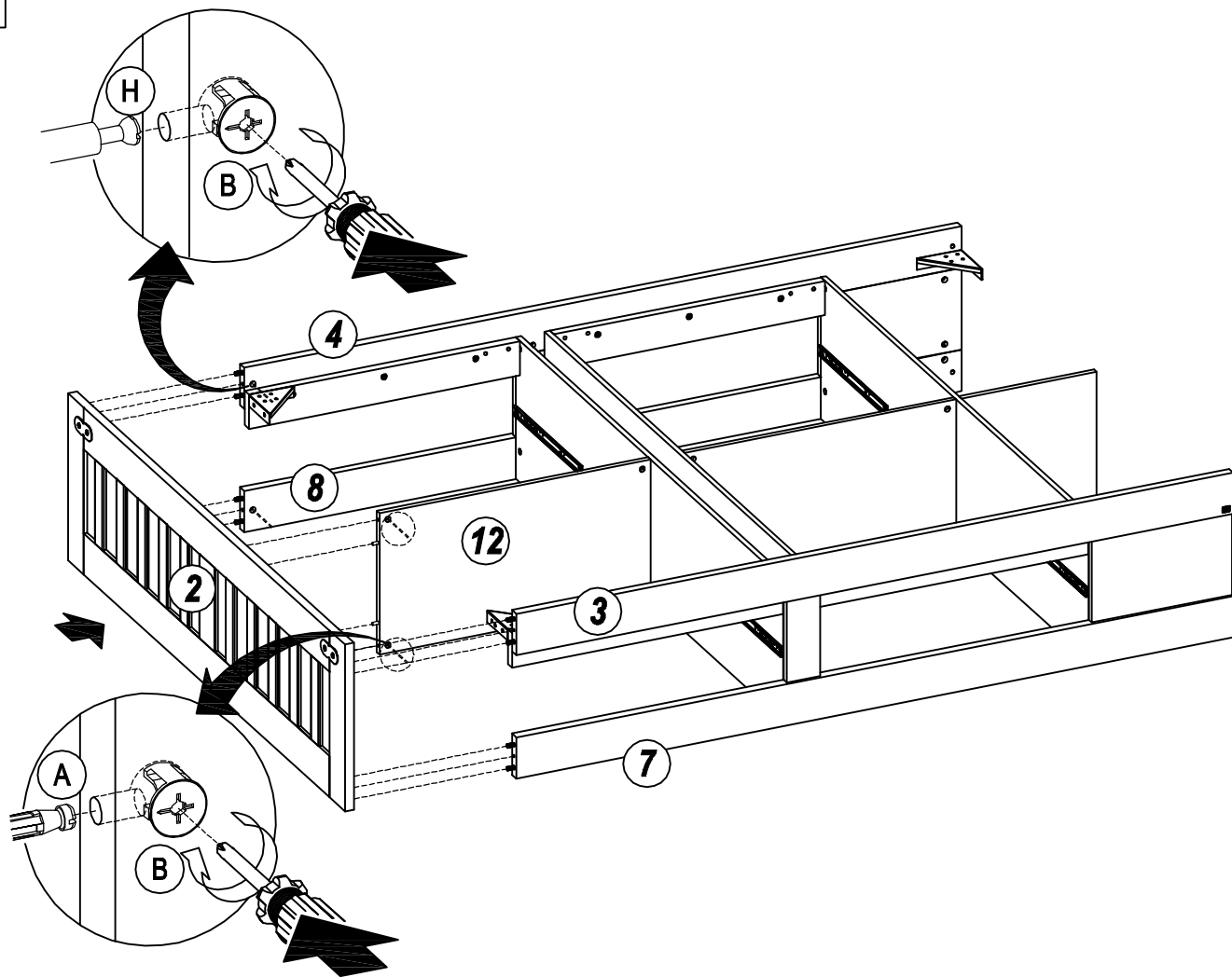


17

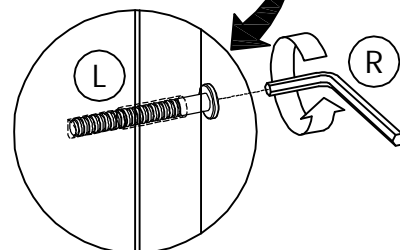
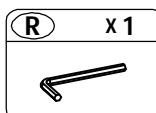
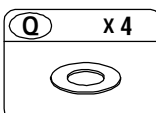
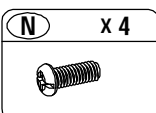
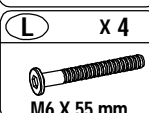
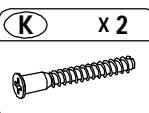
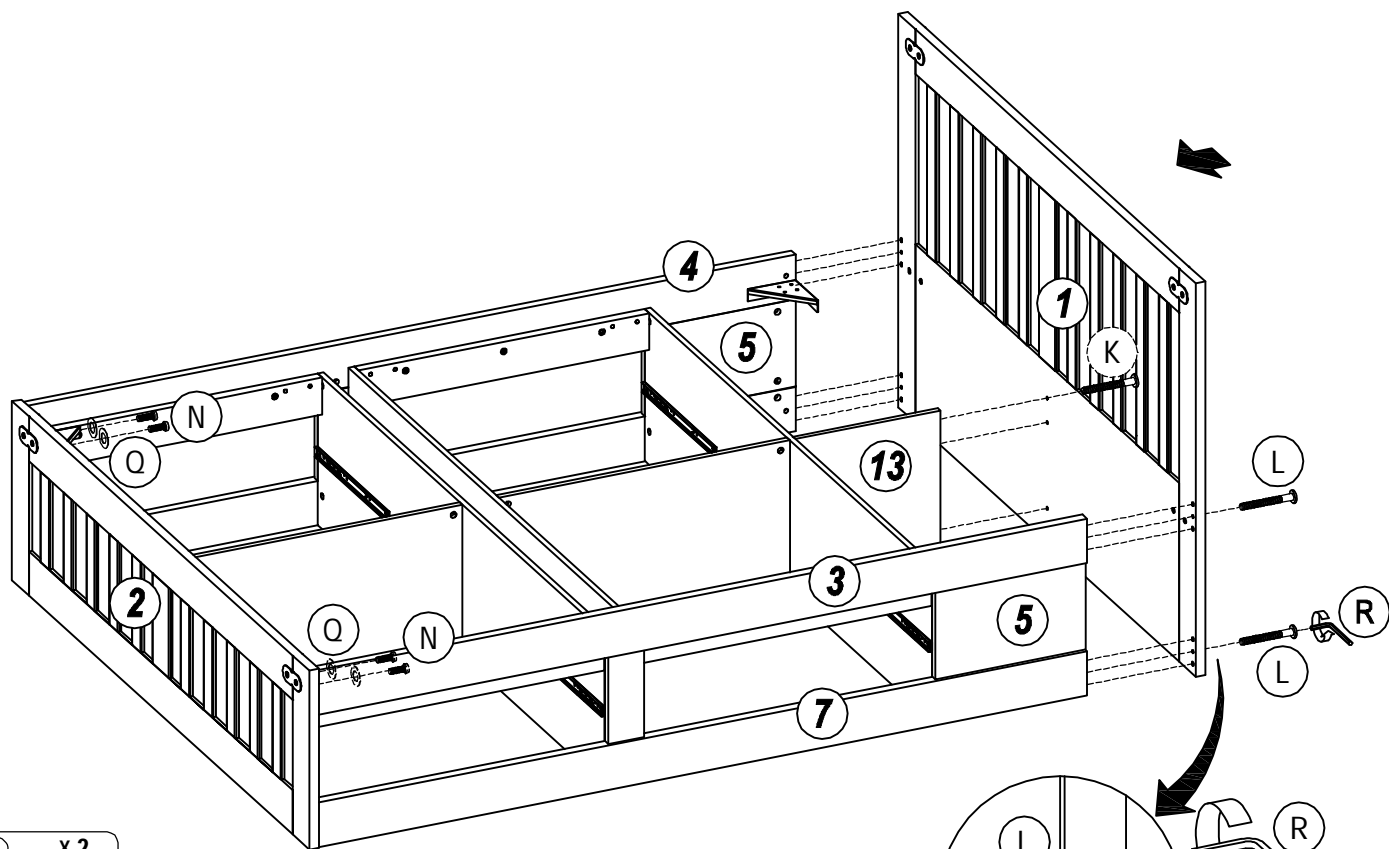




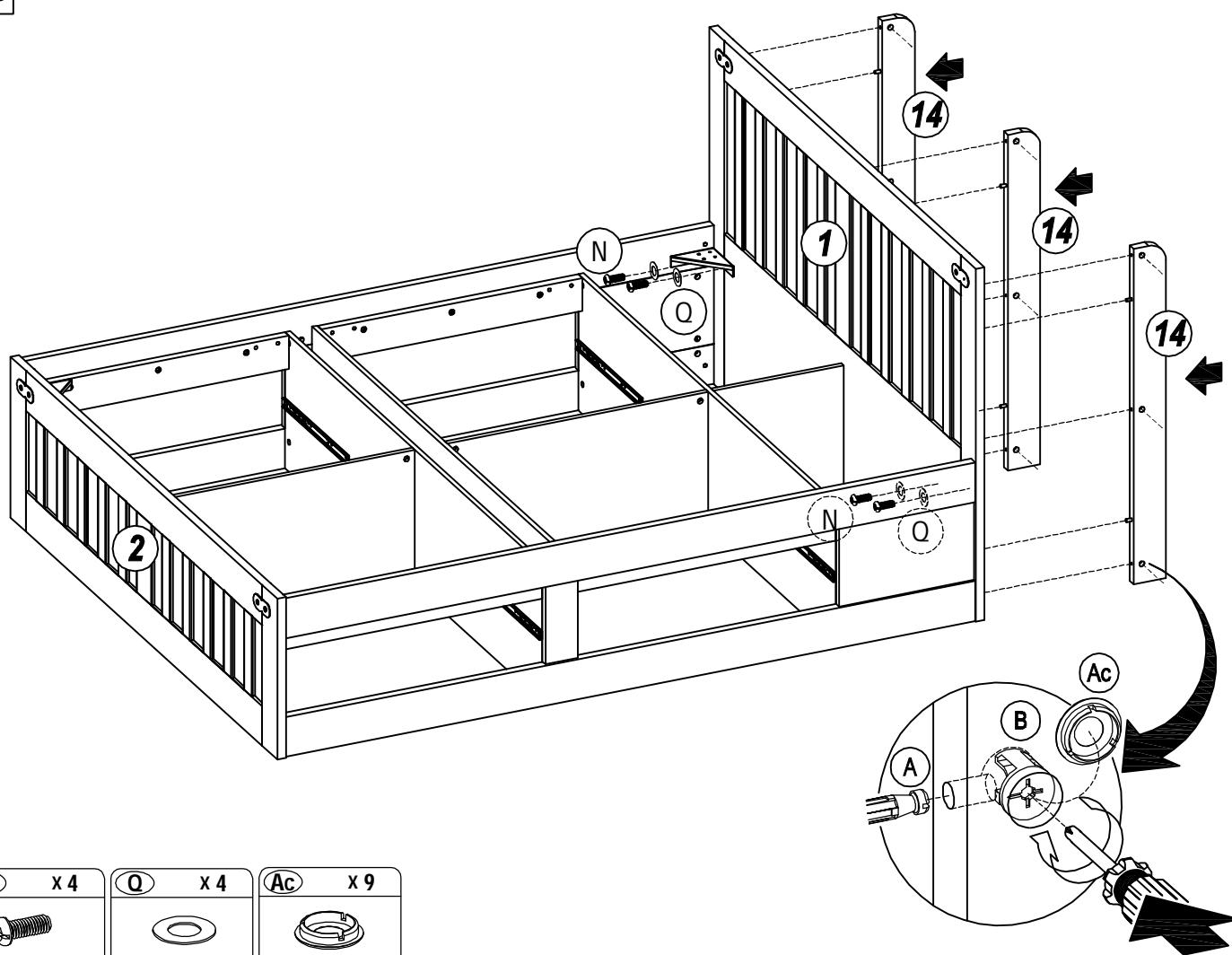
18






19

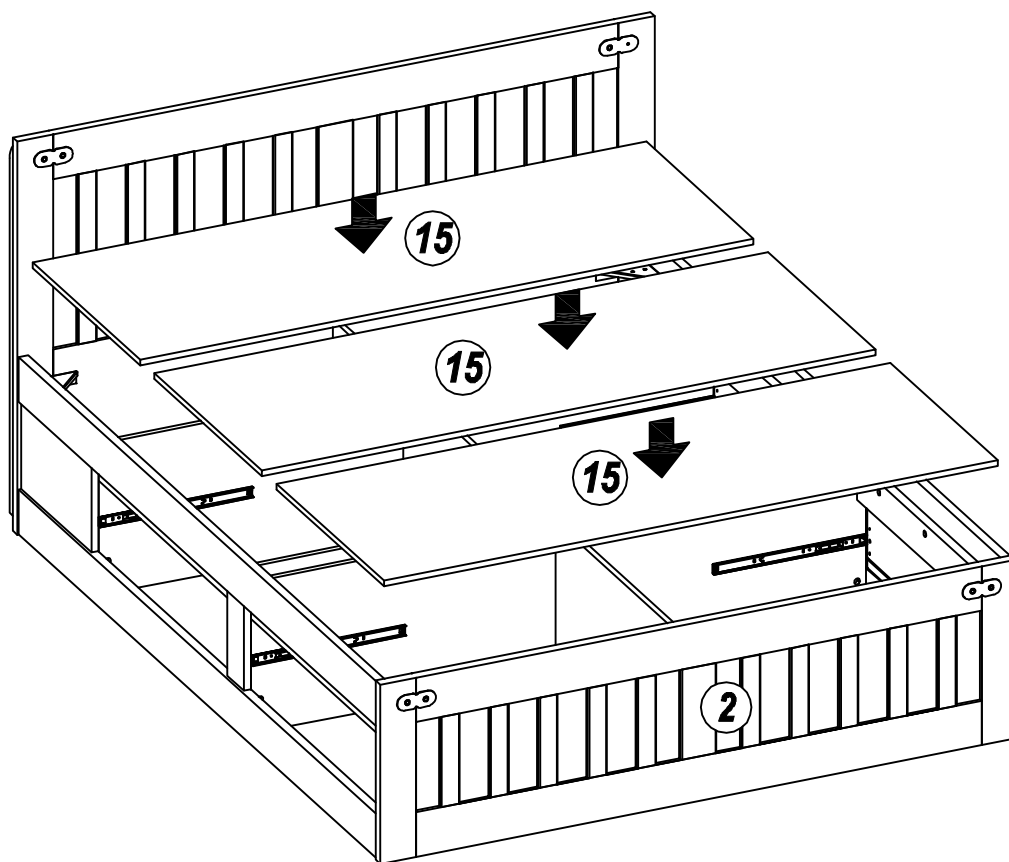


20

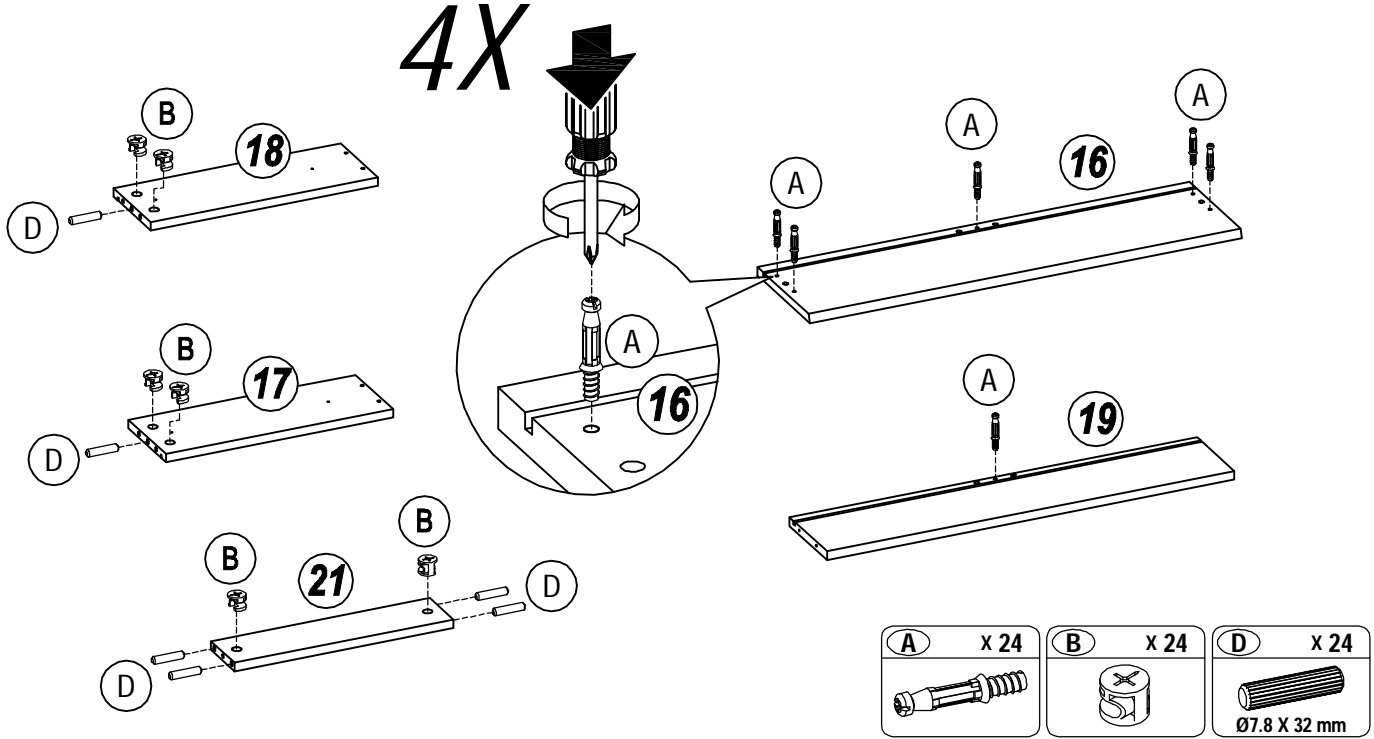


<b>N</b> x 4	<b>Q</b> x 4	<b>Ac</b> x 9
		

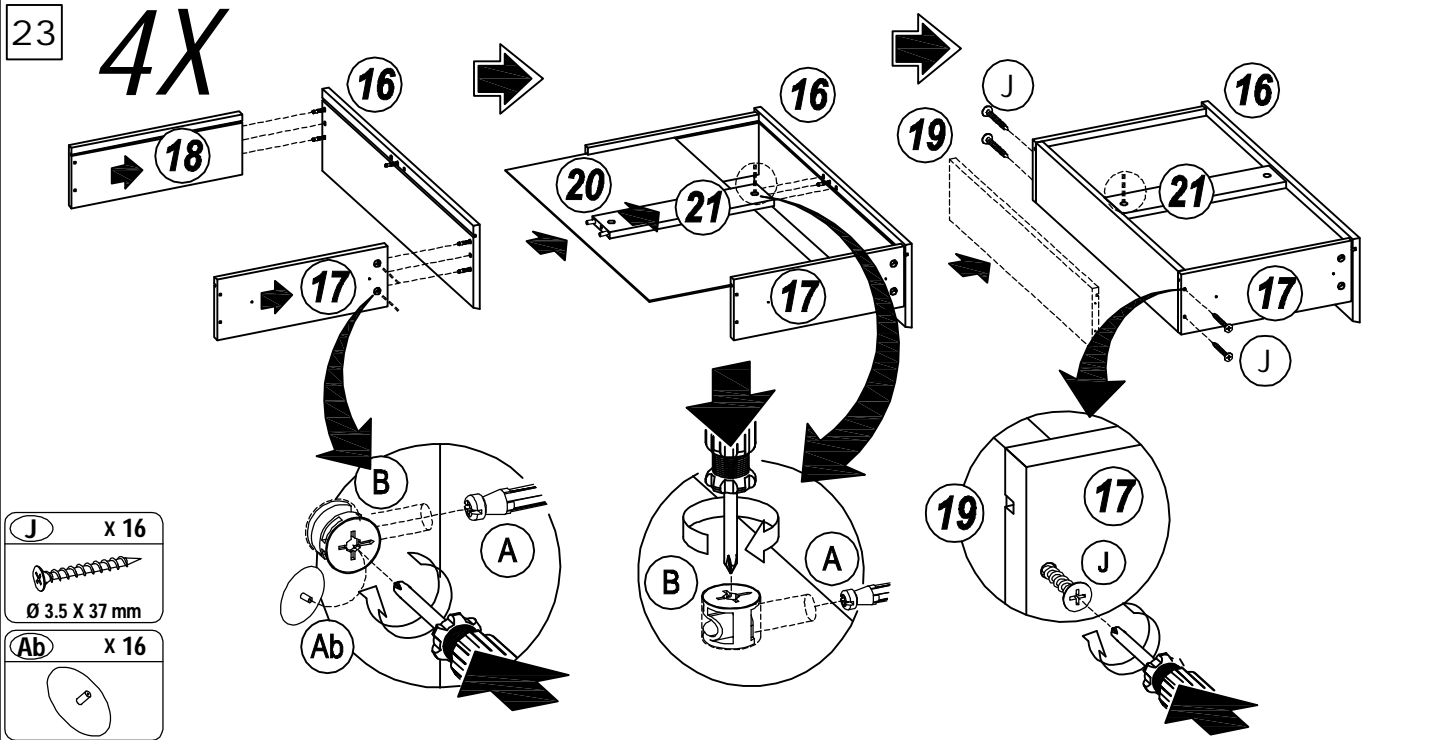
21



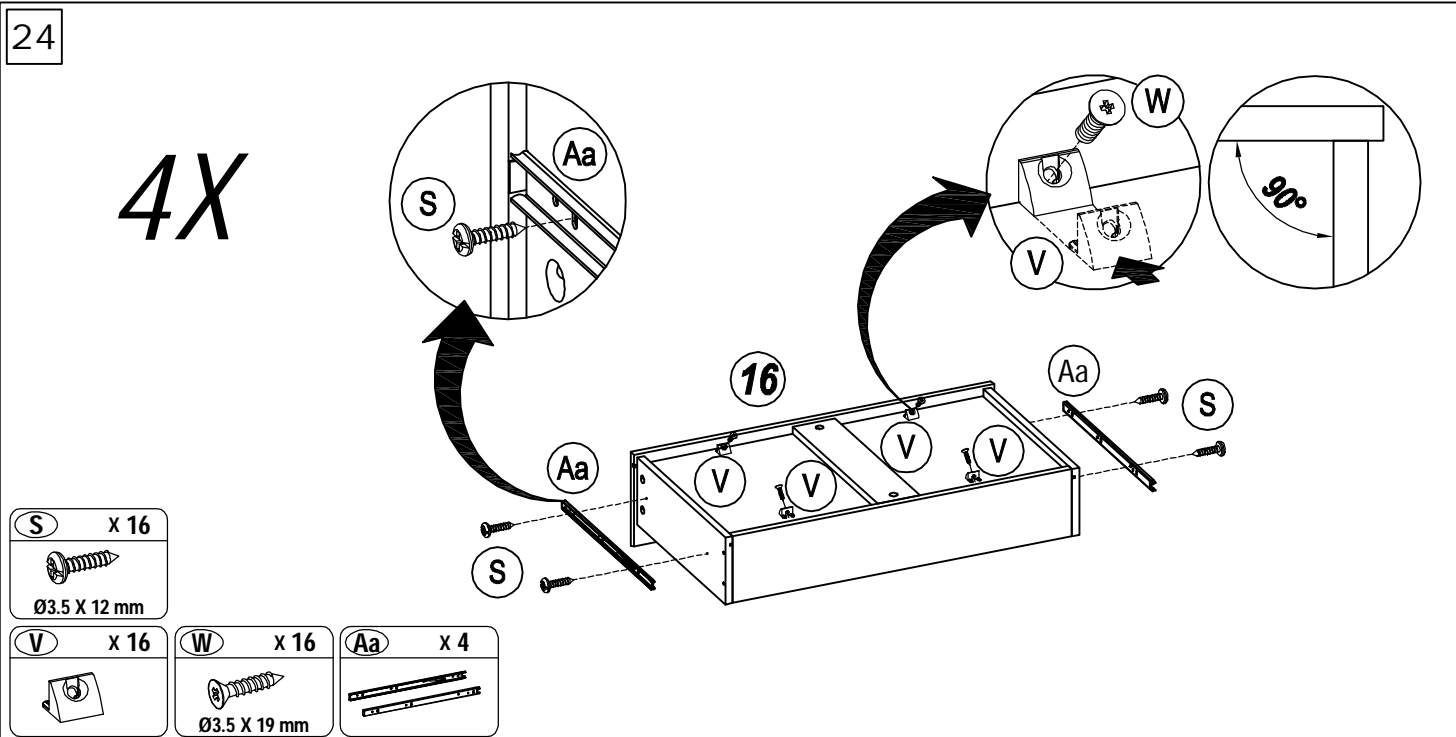
22



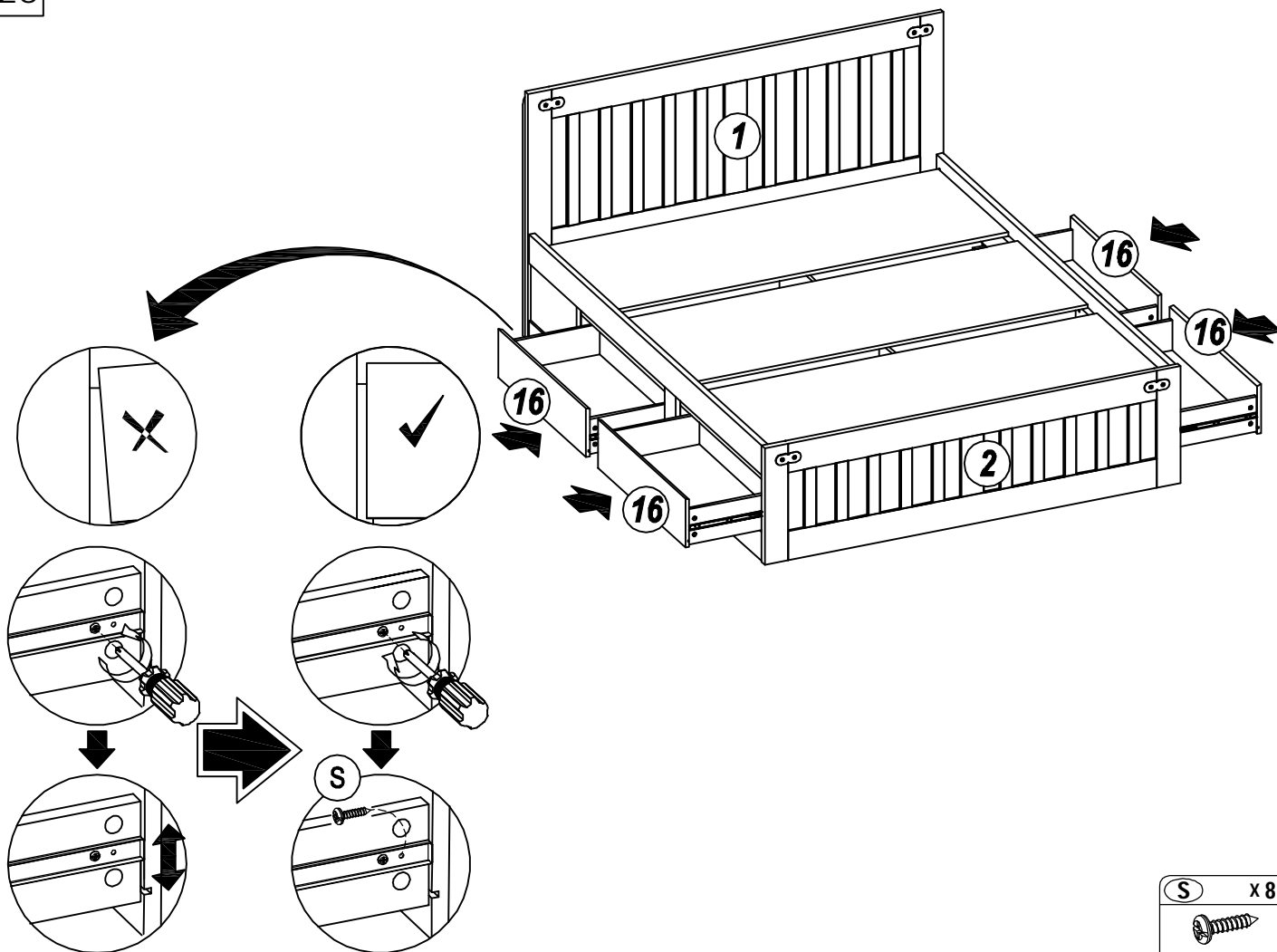
23



24



25



26

