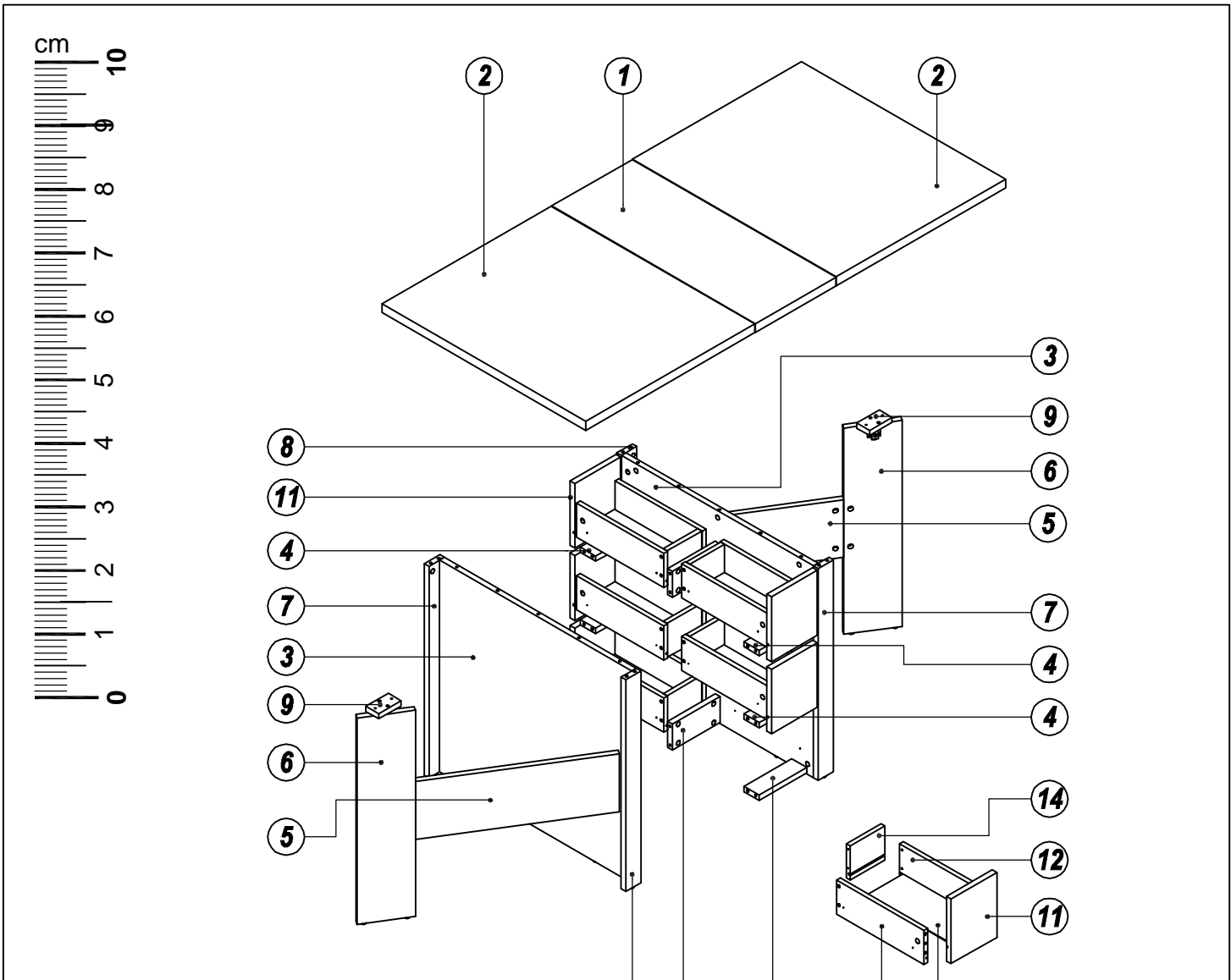
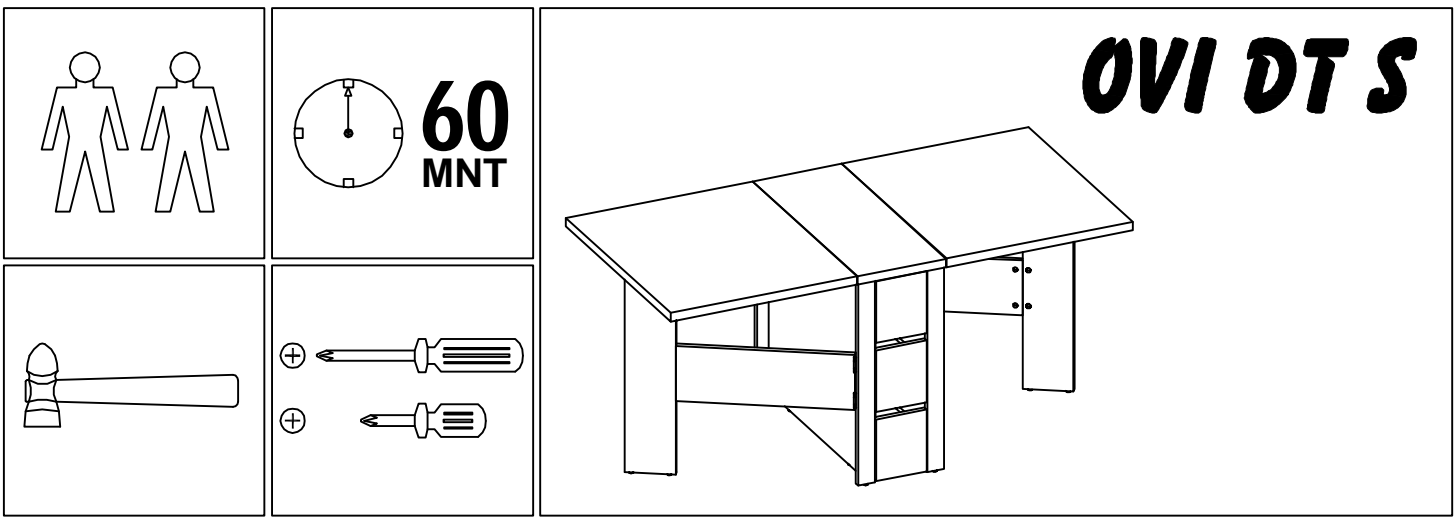


OVI DT S



A x 54 	B x 58 	C x 16 	D x 56 Ø7.8 X 32 mm	E x 4 Ø7.8 X 40 mm	F x 8 	G x 4 	H x 4
J x 2 	K x 8 Ø3.5 X 16 mm	L x 4 	M x 4 	N x 12 	P x 68 Ø3.5 X 12 mm	Q x 12 	
R x 12 Ø3.5 X 19 mm	S x 24 Ø3.5 X 37 mm	T x 4 Ø3.5 X 25 mm	U x 32 	V x 6 	W x 6 	Y x 8 	

1

6X **2X** **2X**

Y x 4

A x 22 **B** x 24 **D** x 20 **N** x 4

$\varnothing 7.8 \times 32 \text{ mm}$

2

2X

N x 4

G x 4 **H** x 4 **J** x 2 **P** x 8

$\varnothing 3.5 \times 12 \text{ mm}$

3

V **W**

4

2X **2X**

N x 4

L x 4 **P** x 24 **U** x 8 **V** x 6

$\varnothing 3.5 \times 12 \text{ mm}$

A x 20 **B** x 22 **D** x 12 **E** x 4

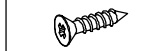
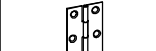



$\varnothing 7.8 \times 32 \text{ mm}$ $\varnothing 7.8 \times 40 \text{ mm}$

5 **2X**

F x 8

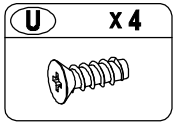
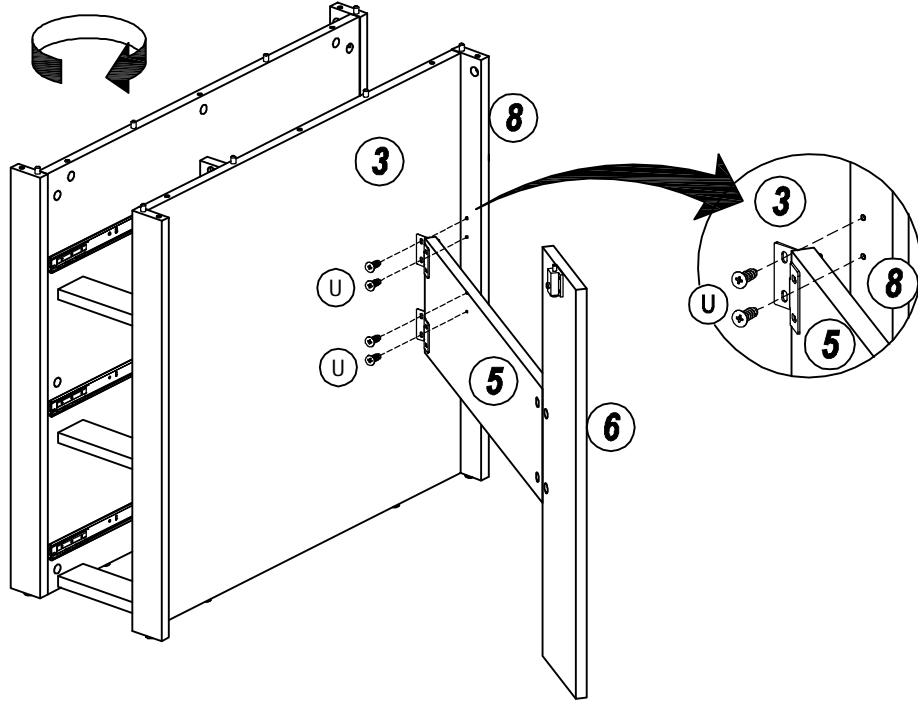
6 **2X**

7

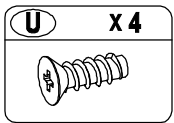
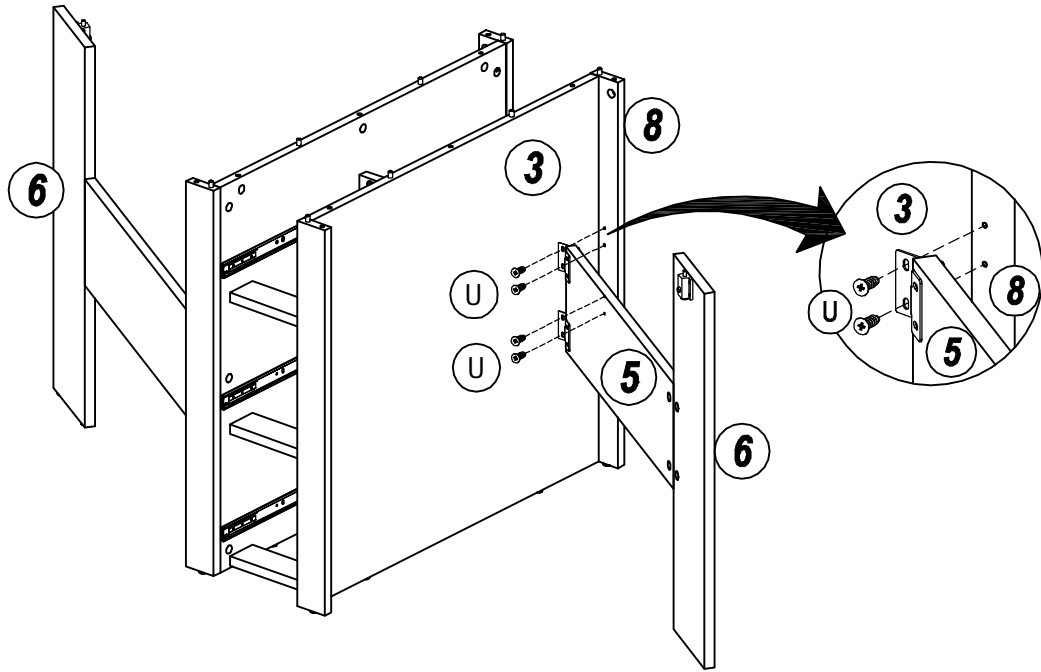
K x 8	M x 4	T x 4	U x 16	Y x 4
 Ø3.5 X 16 mm		 Ø3.5 X 25 mm		

8

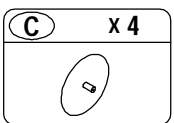
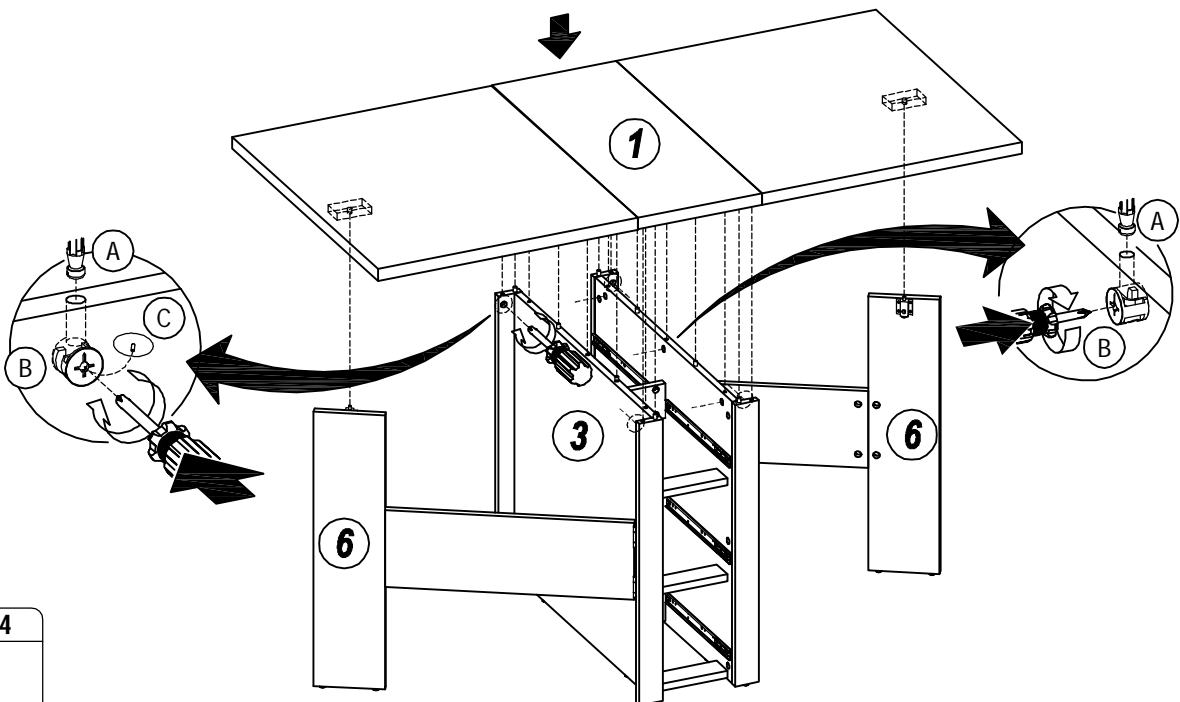
9



10

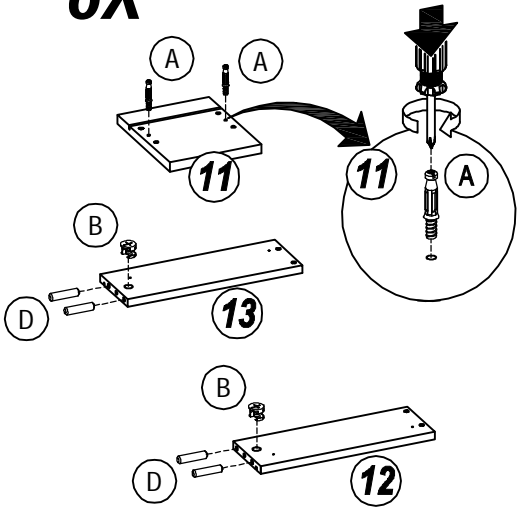


11



12

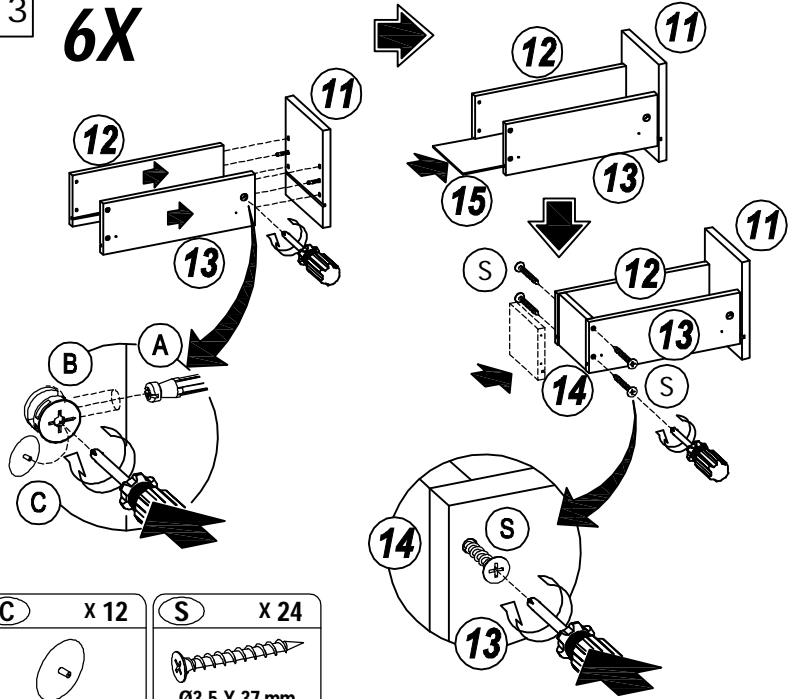
6X



A x 12	B x 12	D x 24
		Ø7.8 X 32 mm

13

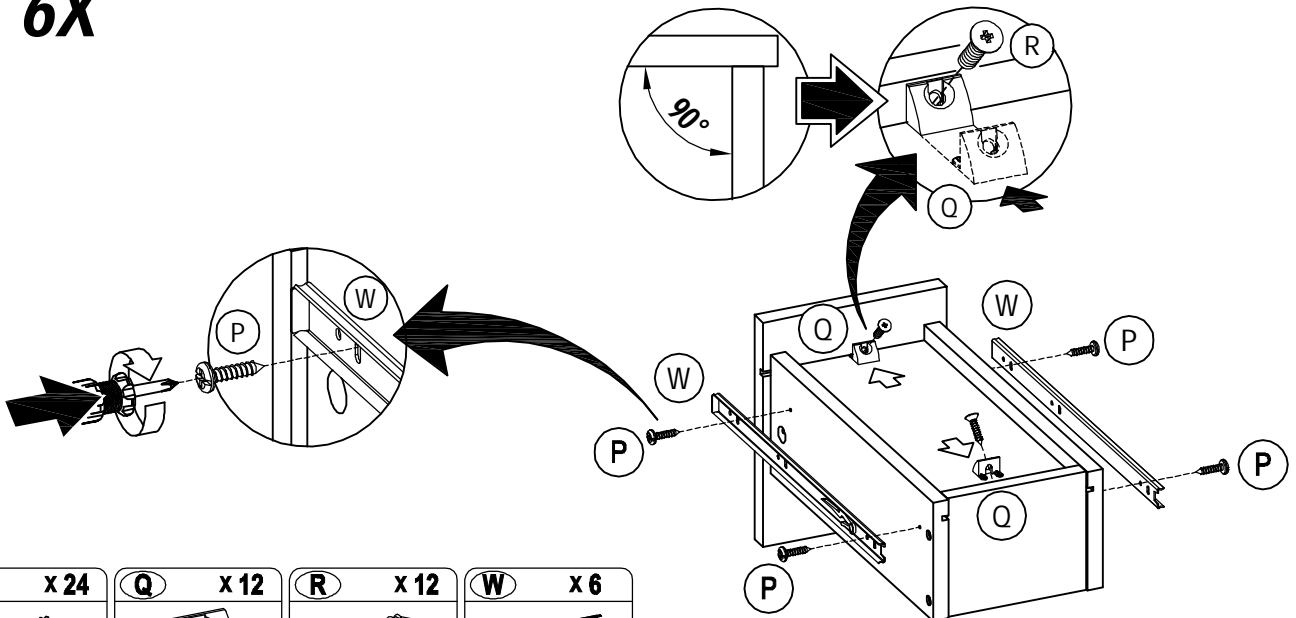
6X



C x 12	S x 24
	Ø3.5 X 37 mm

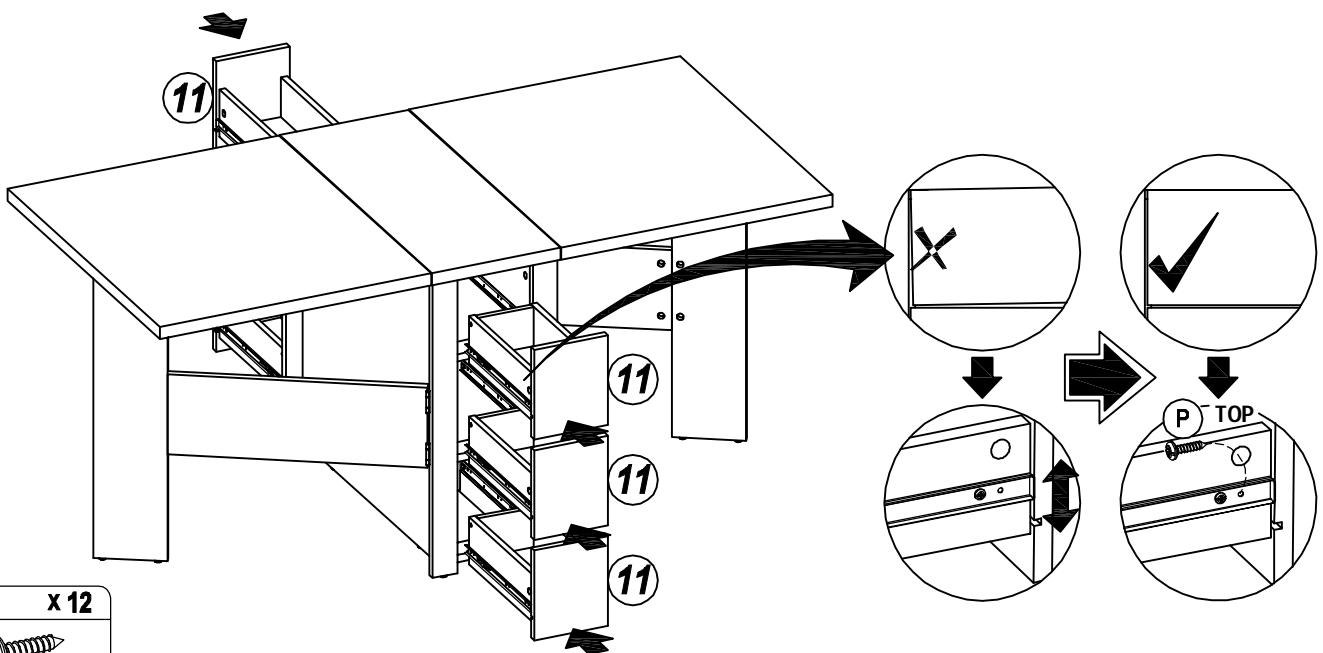
14

6X



P x 24	Q x 12	R x 12	W x 6
Ø3.5 X 12 mm		Ø3.5 X 19 mm	

15



P x 12
Ø3.5 X 12 mm