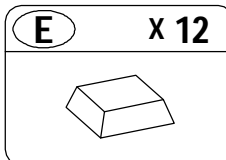
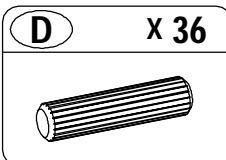
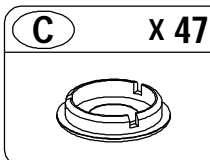
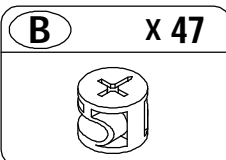
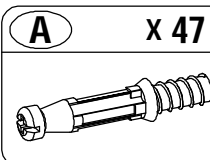
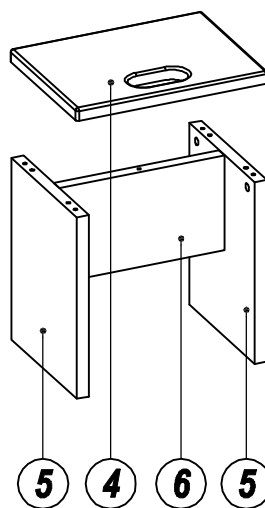
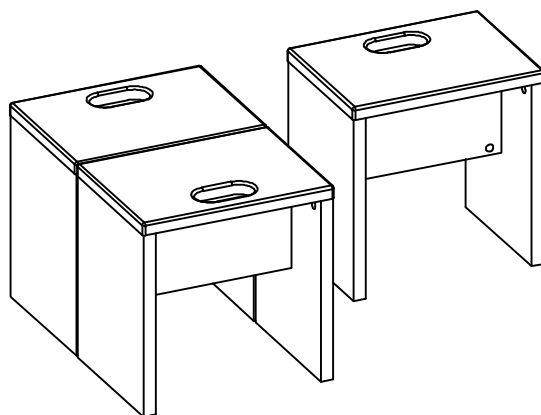
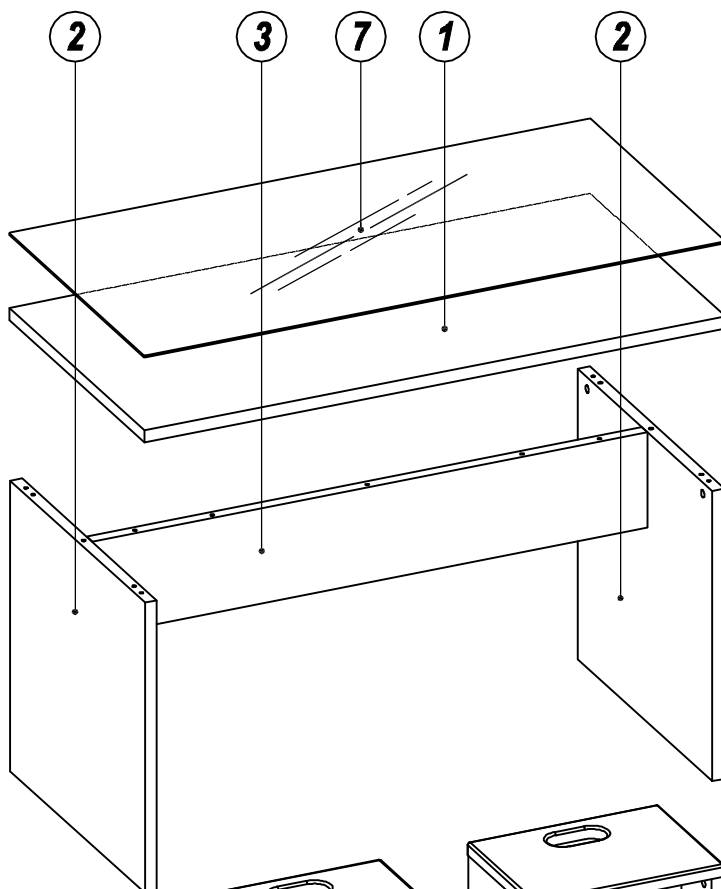
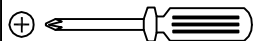
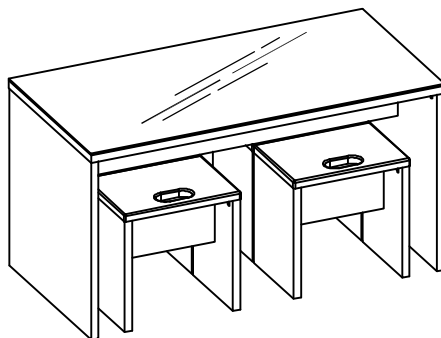
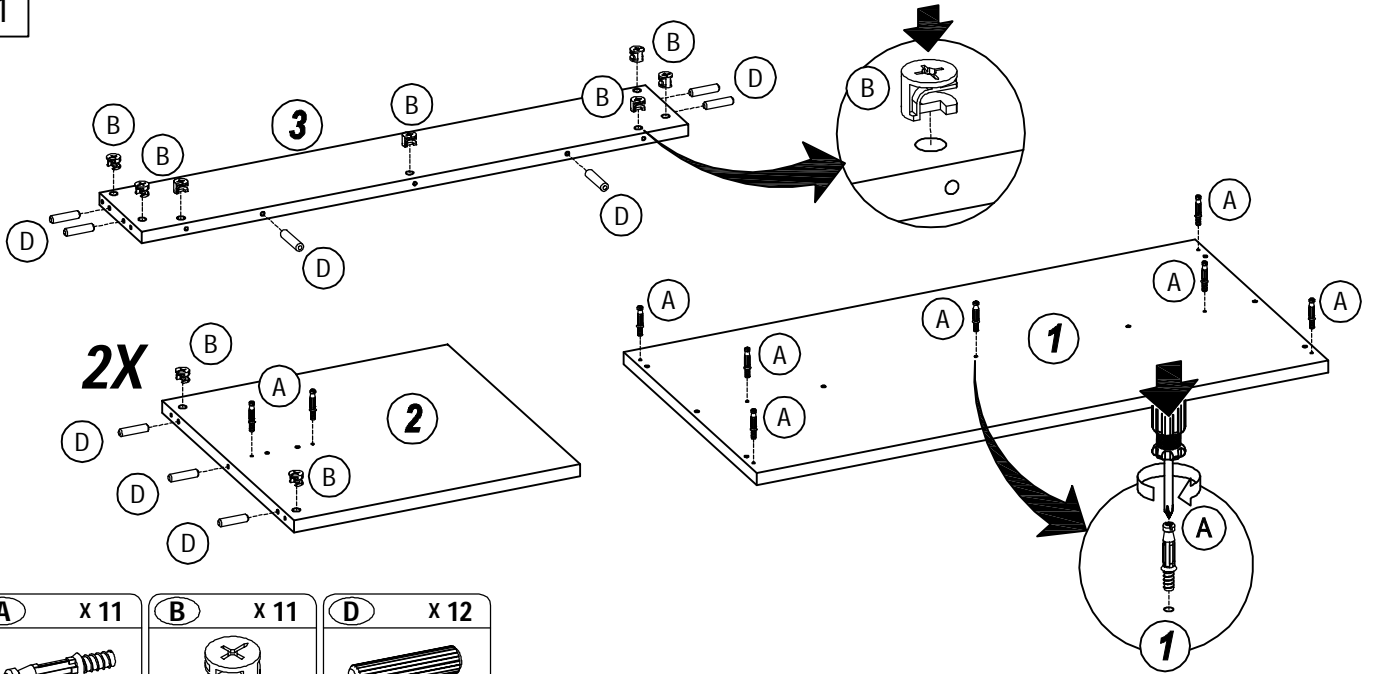





60
MNT

MNYDT 120

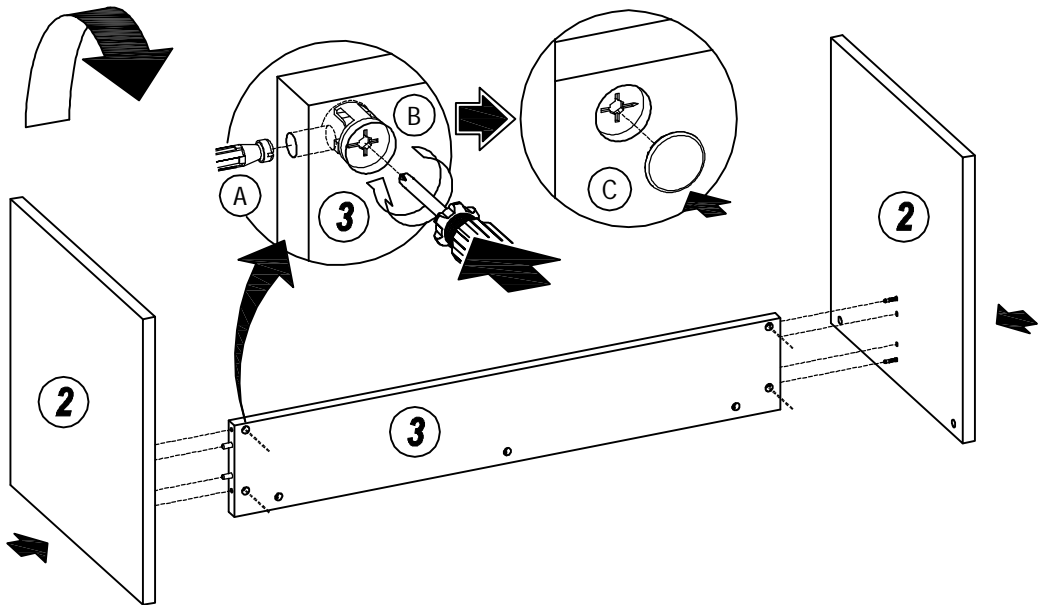



1



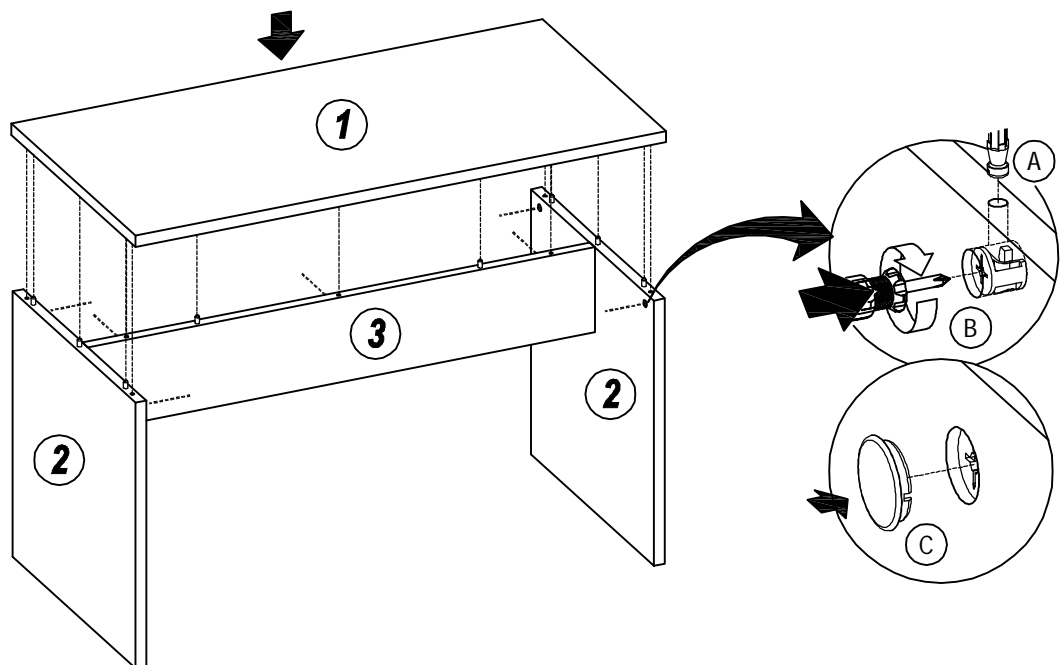
A x 11	B x 11	D x 12
		


2



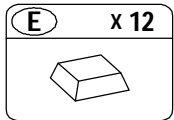
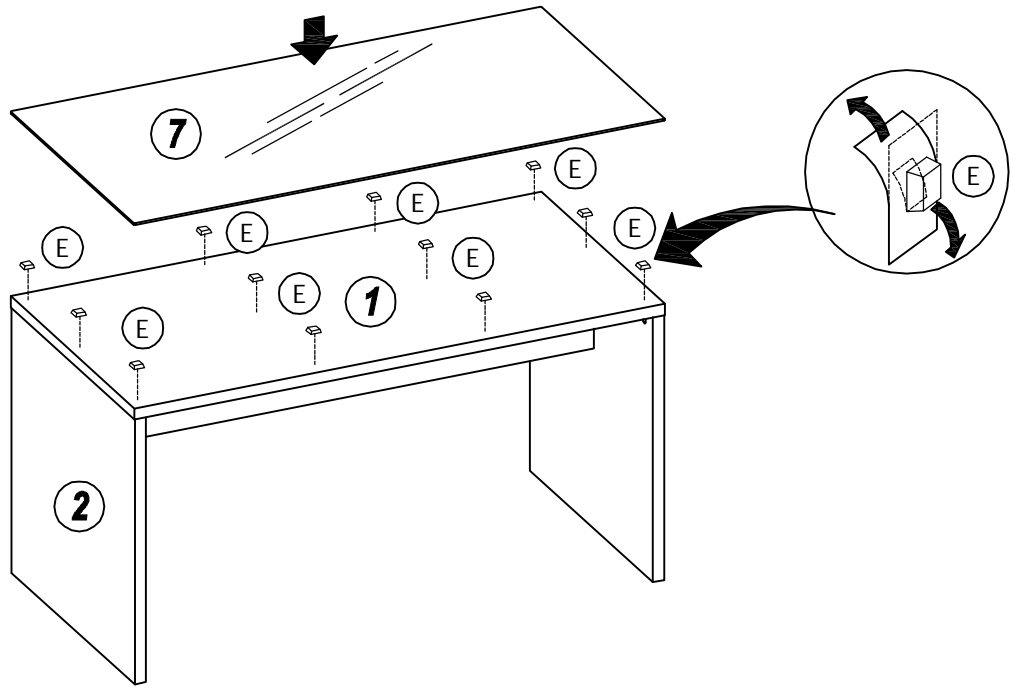
C x 4


3

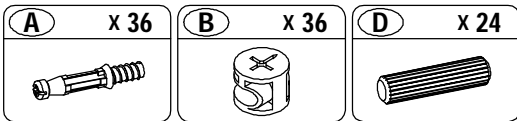
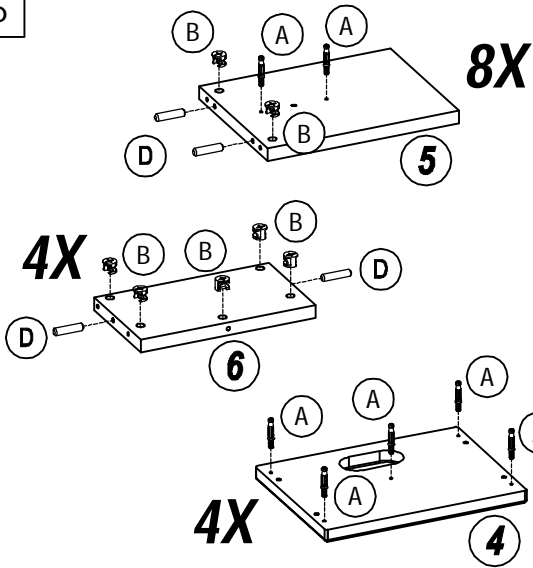


C x 7


4

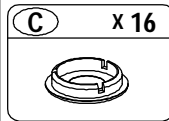
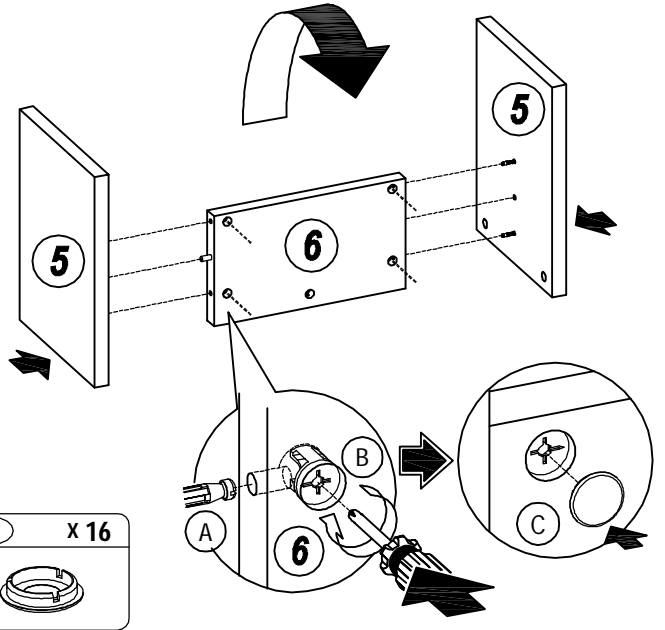


5



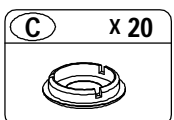
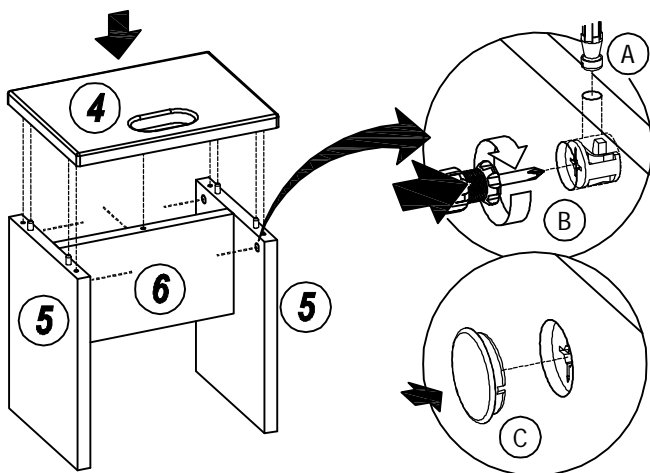
6

4X



7

4X



8

