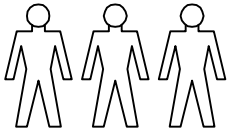
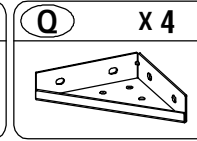
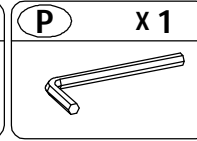
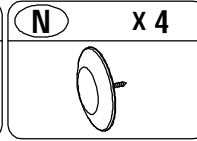
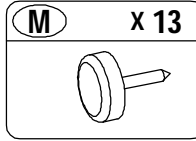
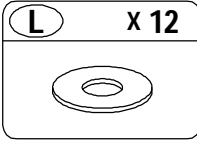
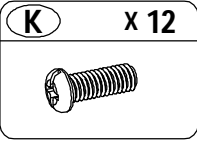
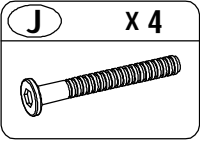
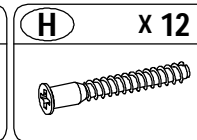
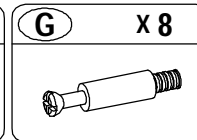
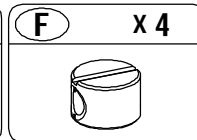
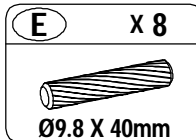
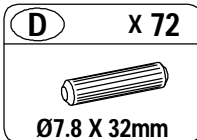
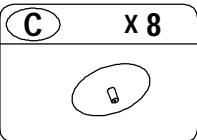
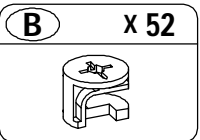
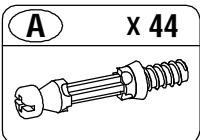
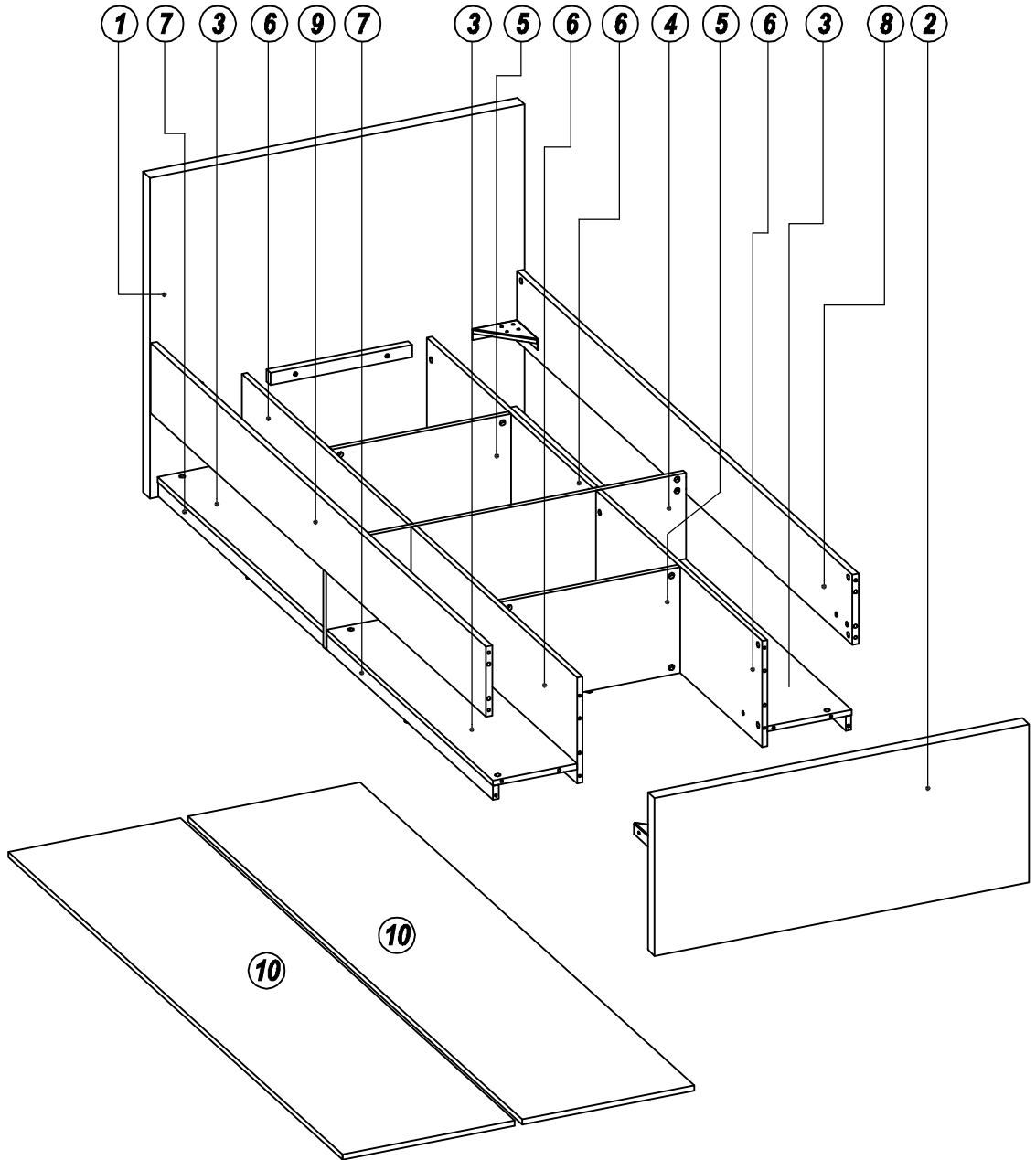
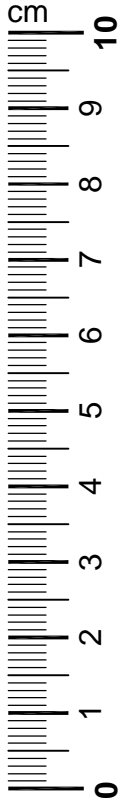
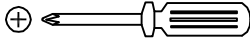
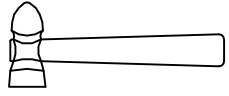
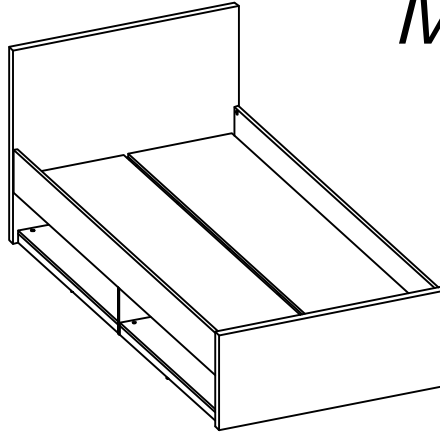


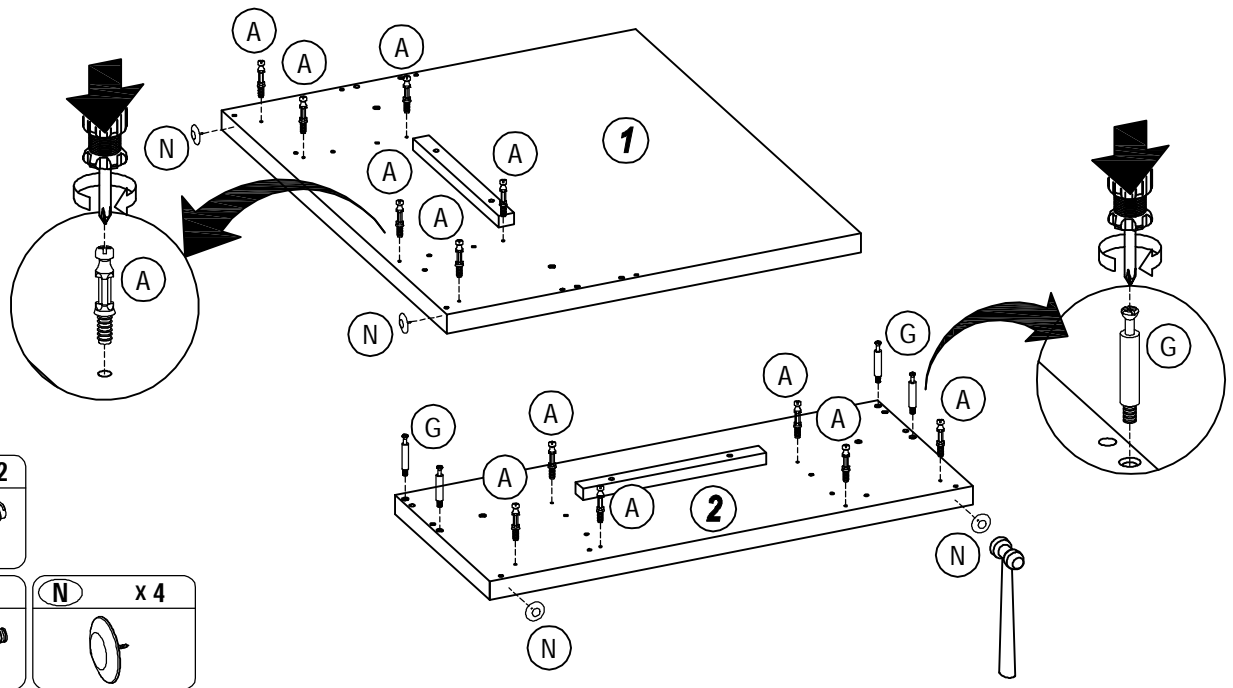
# MIBD 100 S



**60**  
MNT

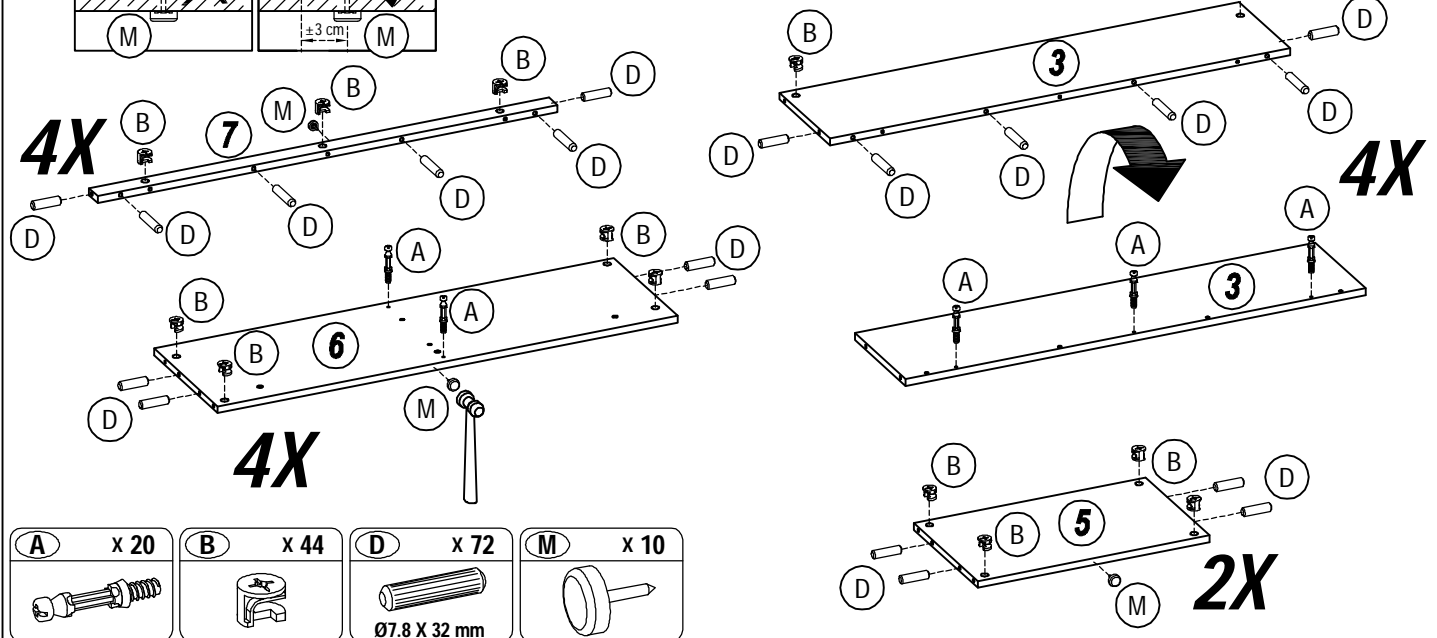
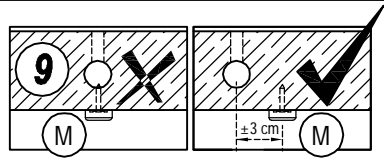


1



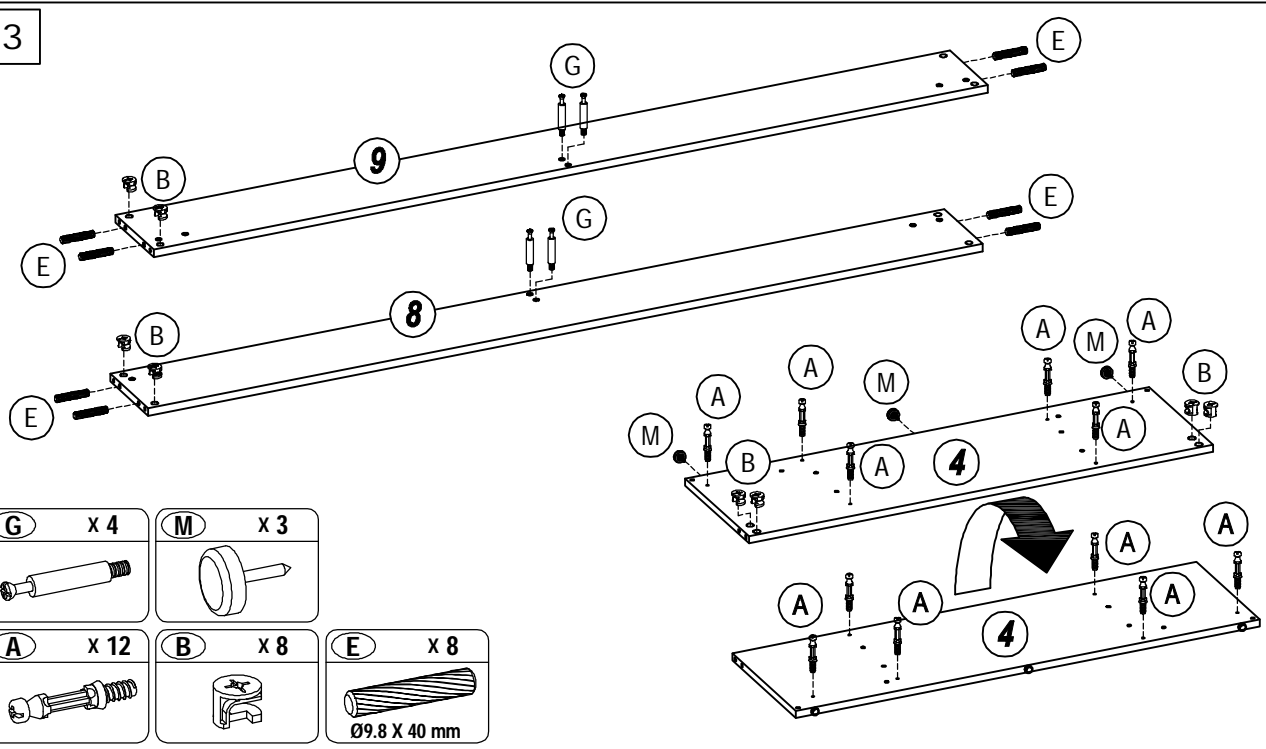
- |               |  |
|---------------|--|
| <b>A</b> x 12 |  |
| <b>G</b> x 4  |  |
| <b>N</b> x 4  |  |

2

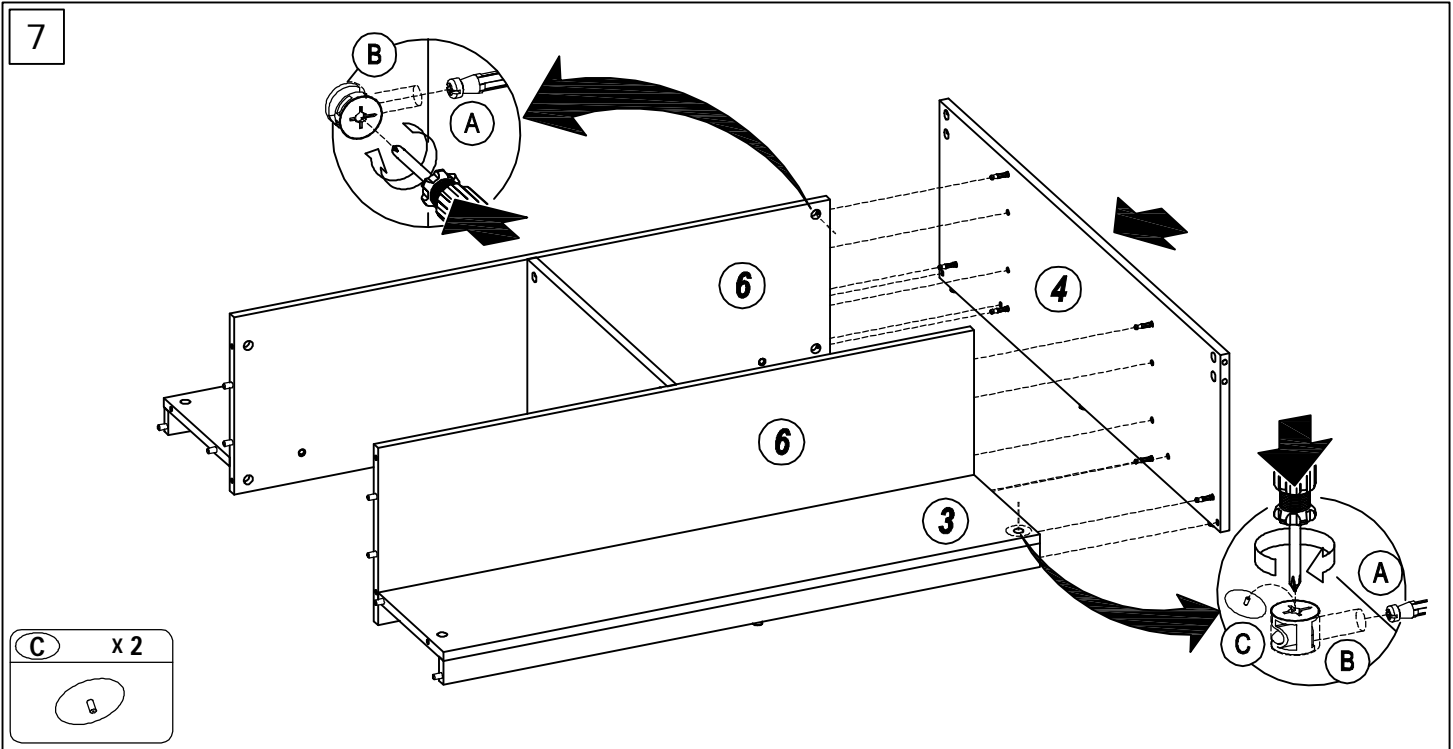
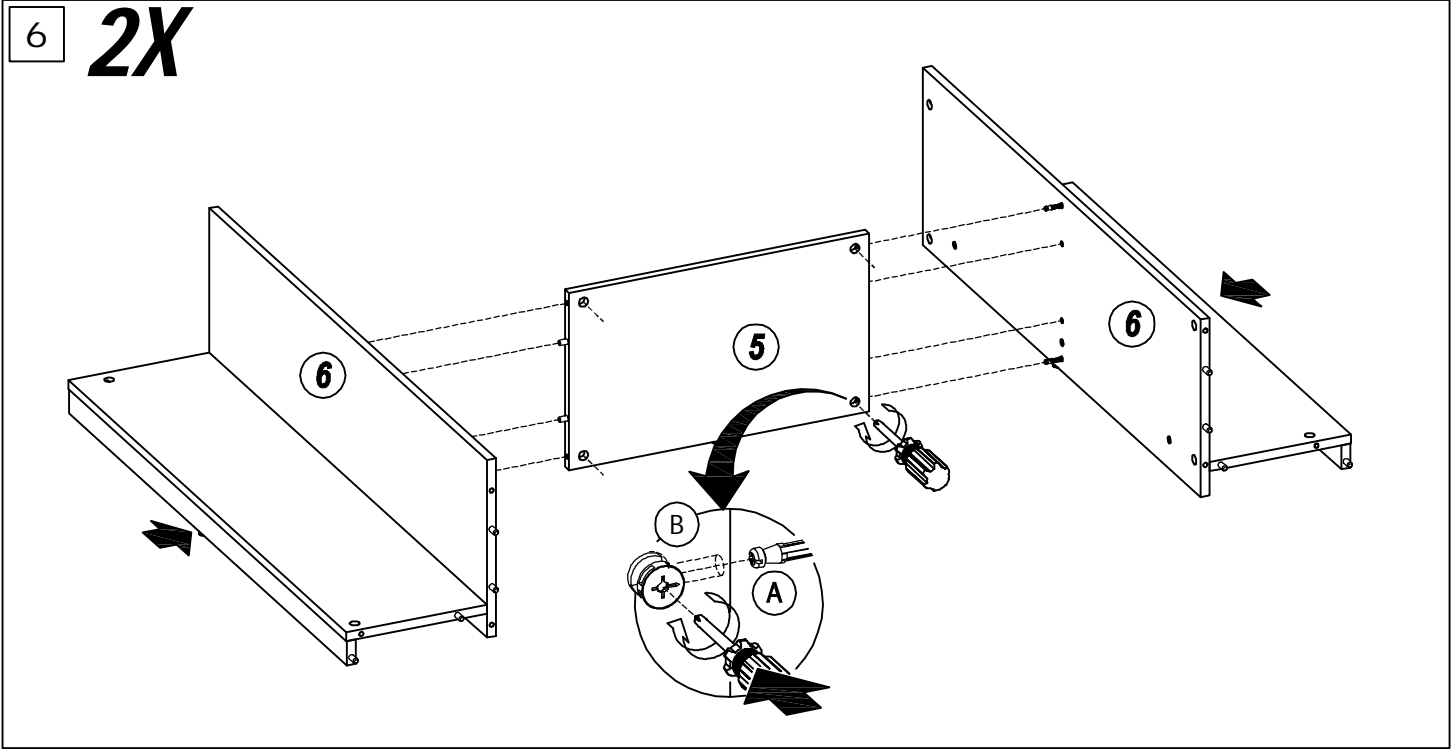
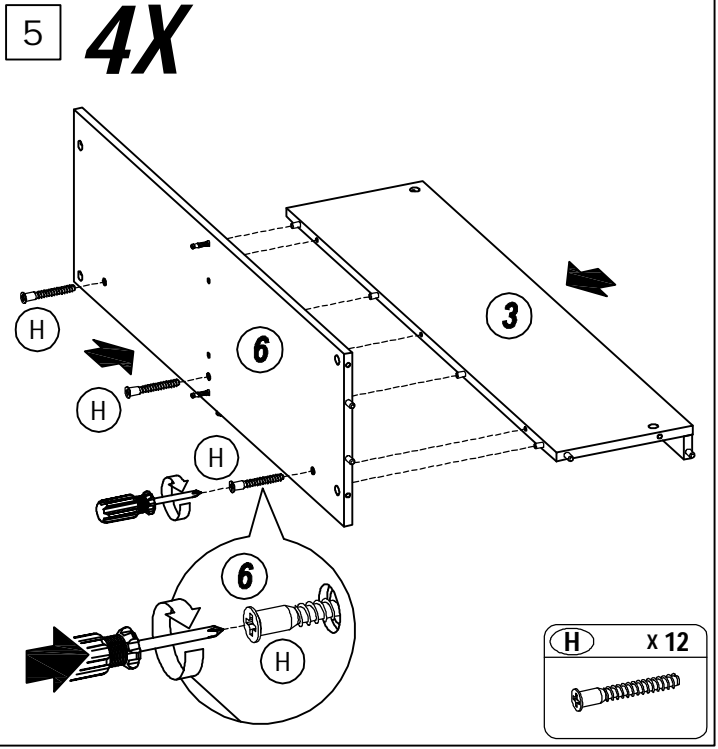
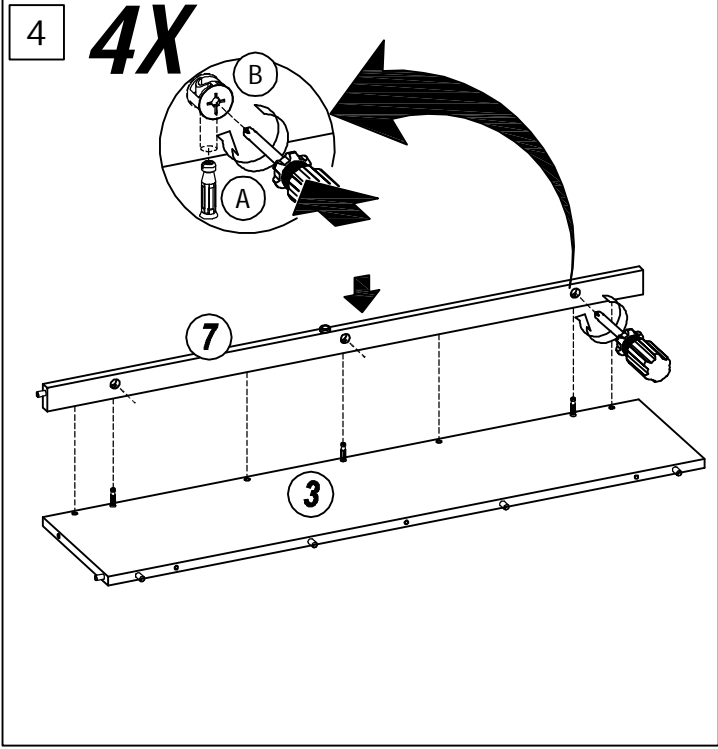


- |               |               |                  |               |
|---------------|---------------|------------------|---------------|
| <b>A</b> x 20 | <b>B</b> x 44 | <b>D</b> x 72    | <b>M</b> x 10 |
|               |               | <br>Ø7.8 X 32 mm |               |

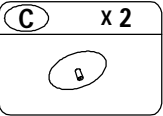
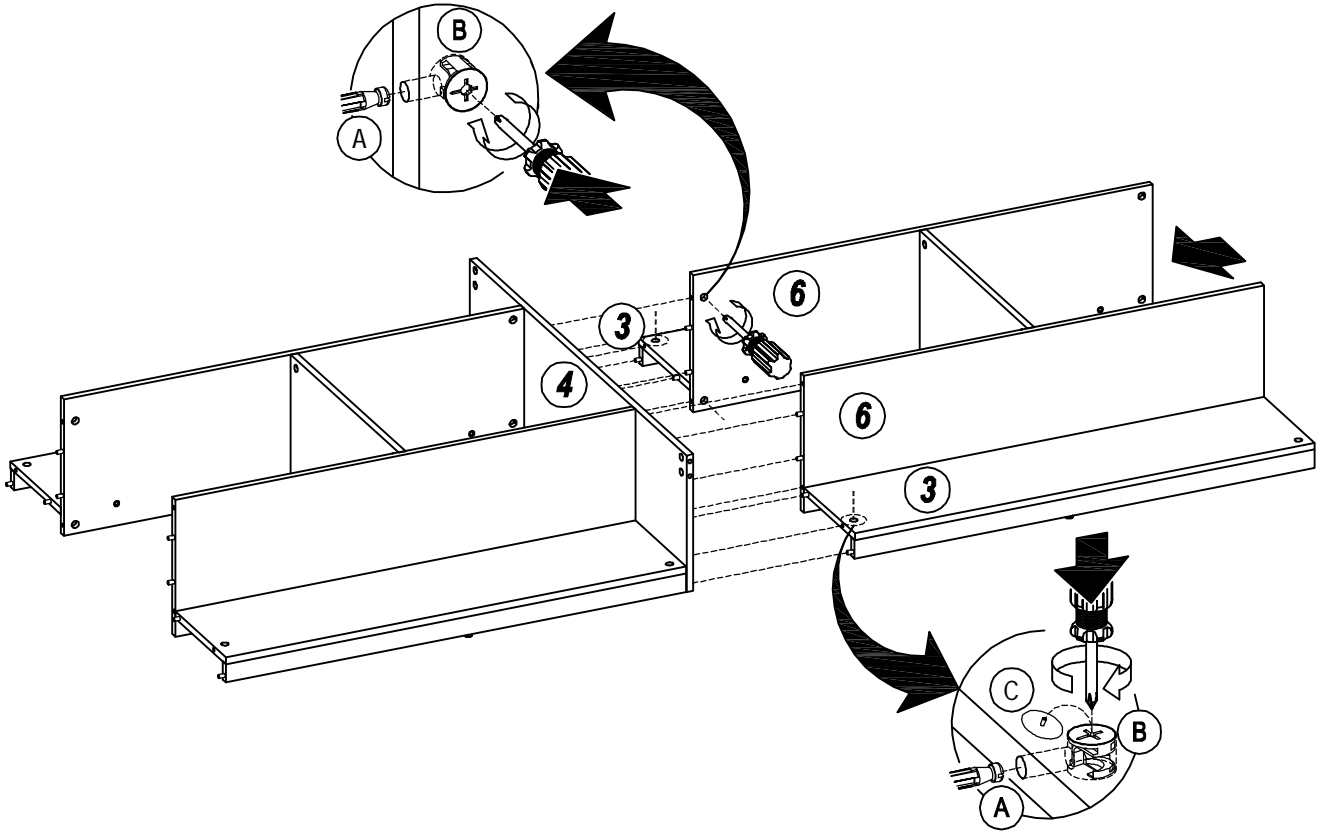
3



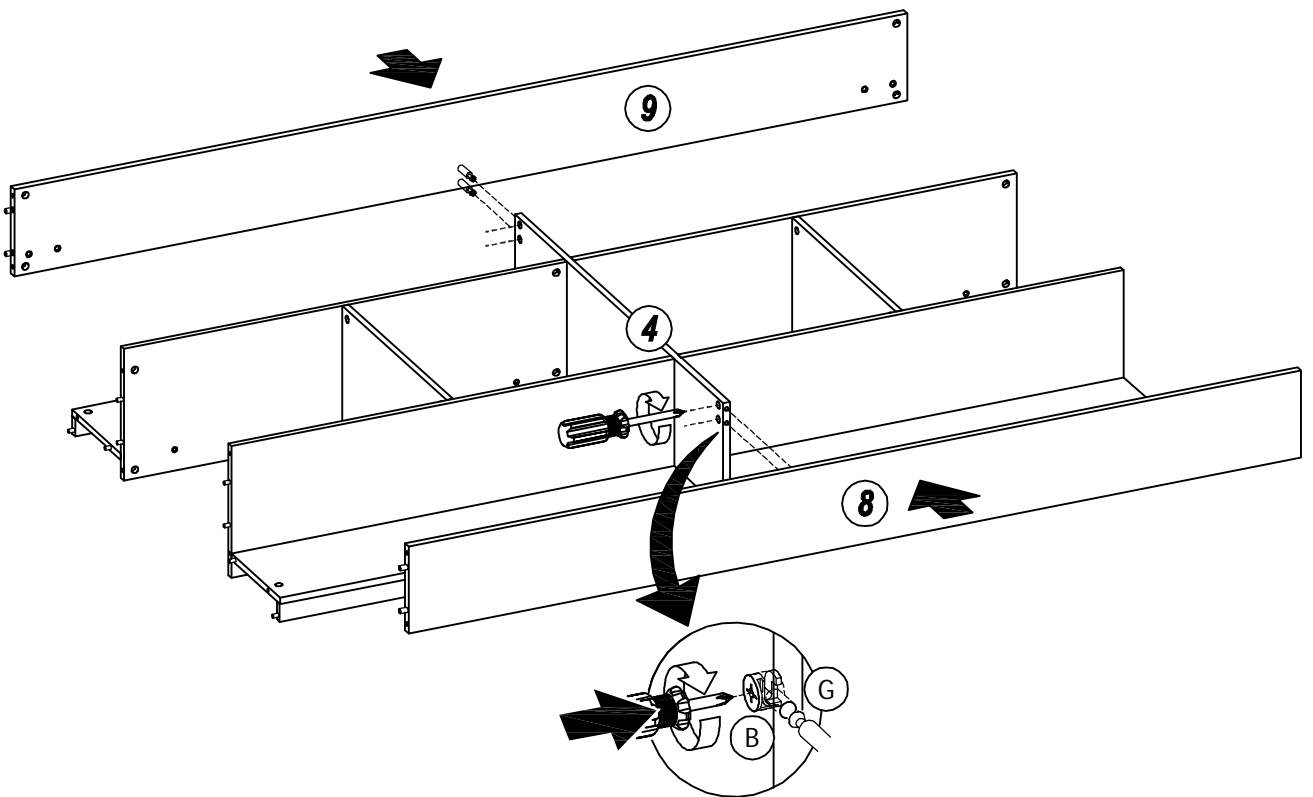
- |               |              |                  |
|---------------|--------------|------------------|
| <b>G</b> x 4  | <b>M</b> x 3 |                  |
|               |              |                  |
| <b>A</b> x 12 | <b>B</b> x 8 | <b>E</b> x 8     |
|               |              | <br>Ø9.8 X 40 mm |



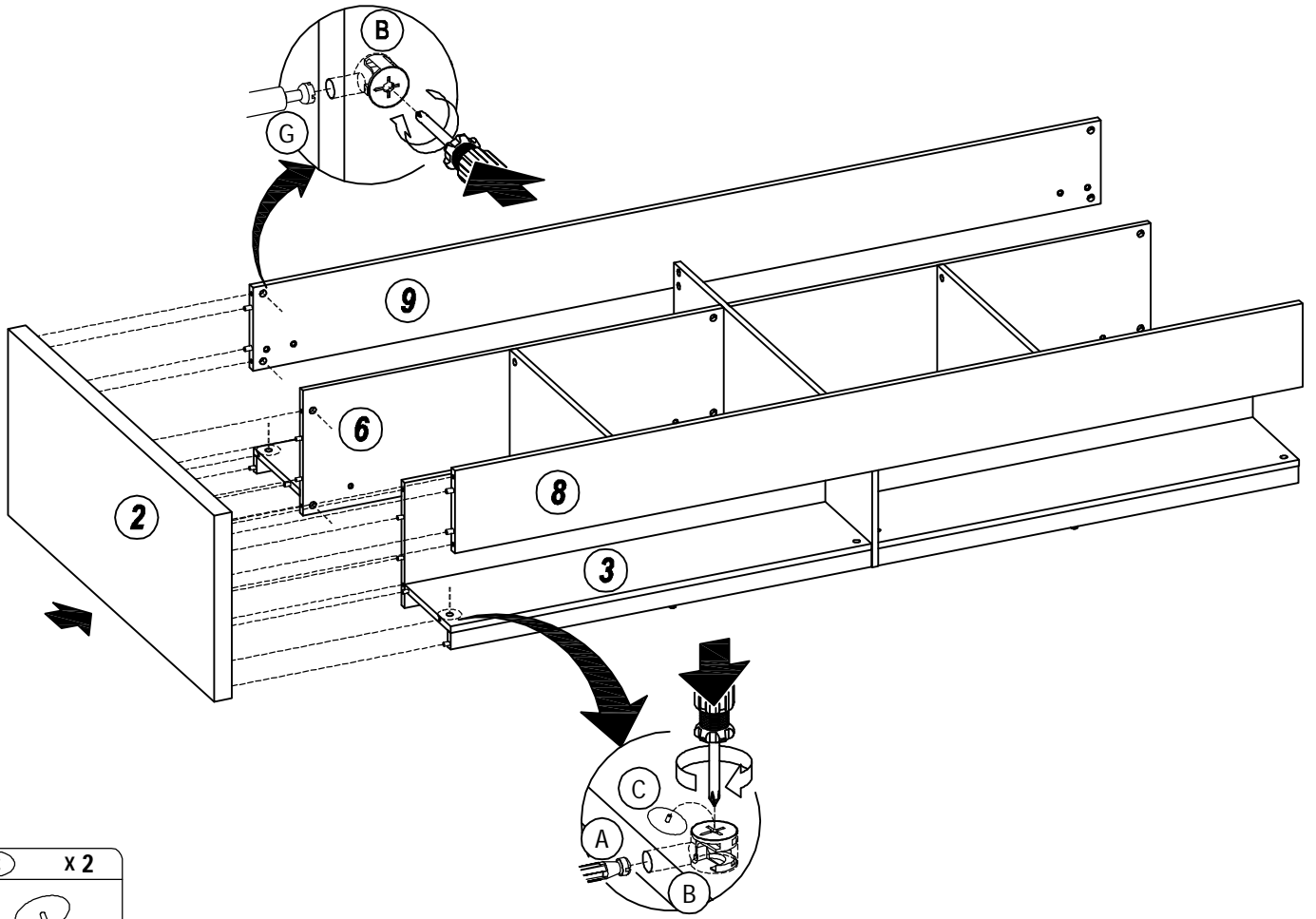
8



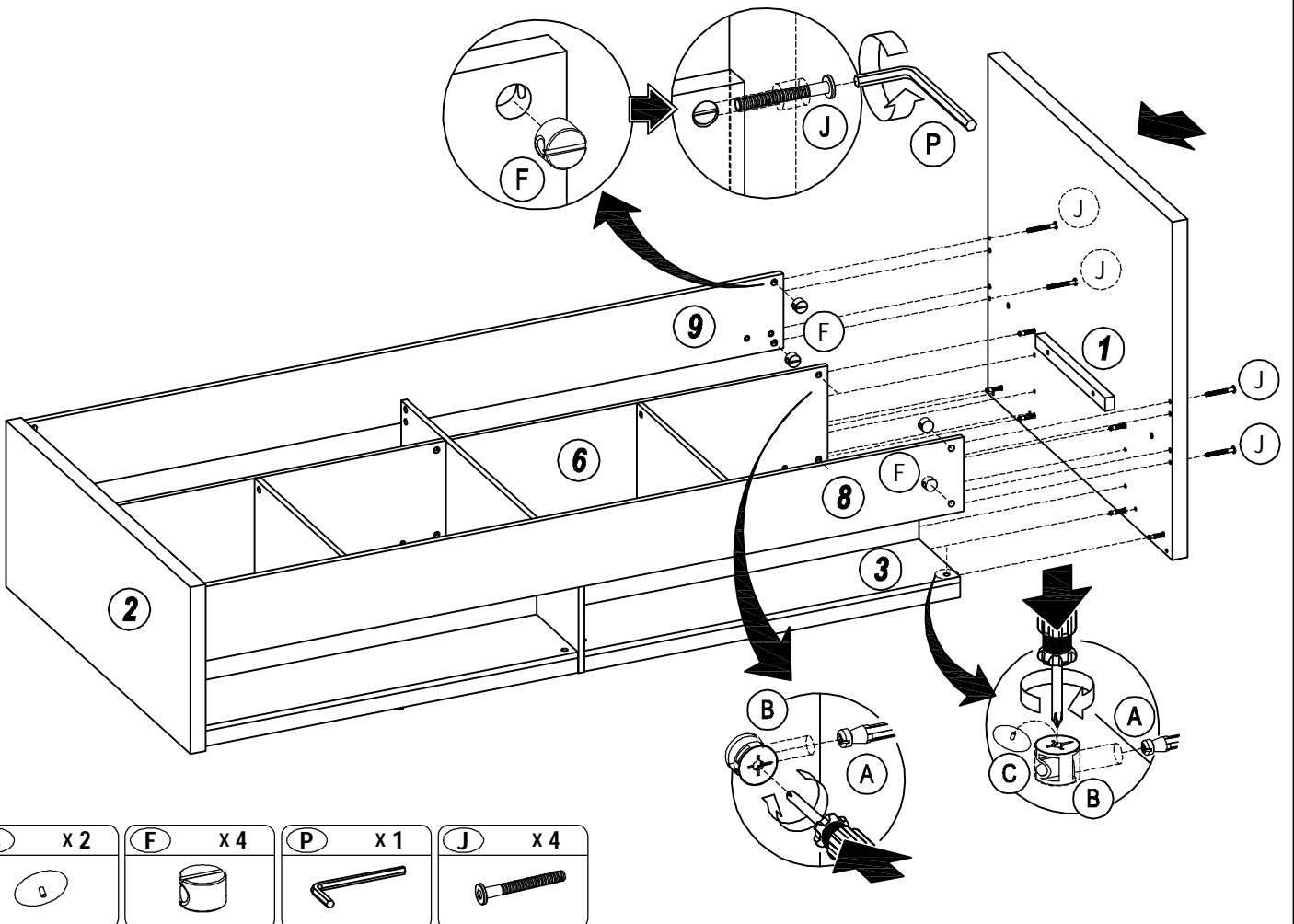
9



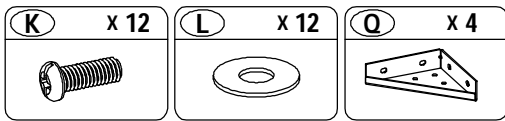
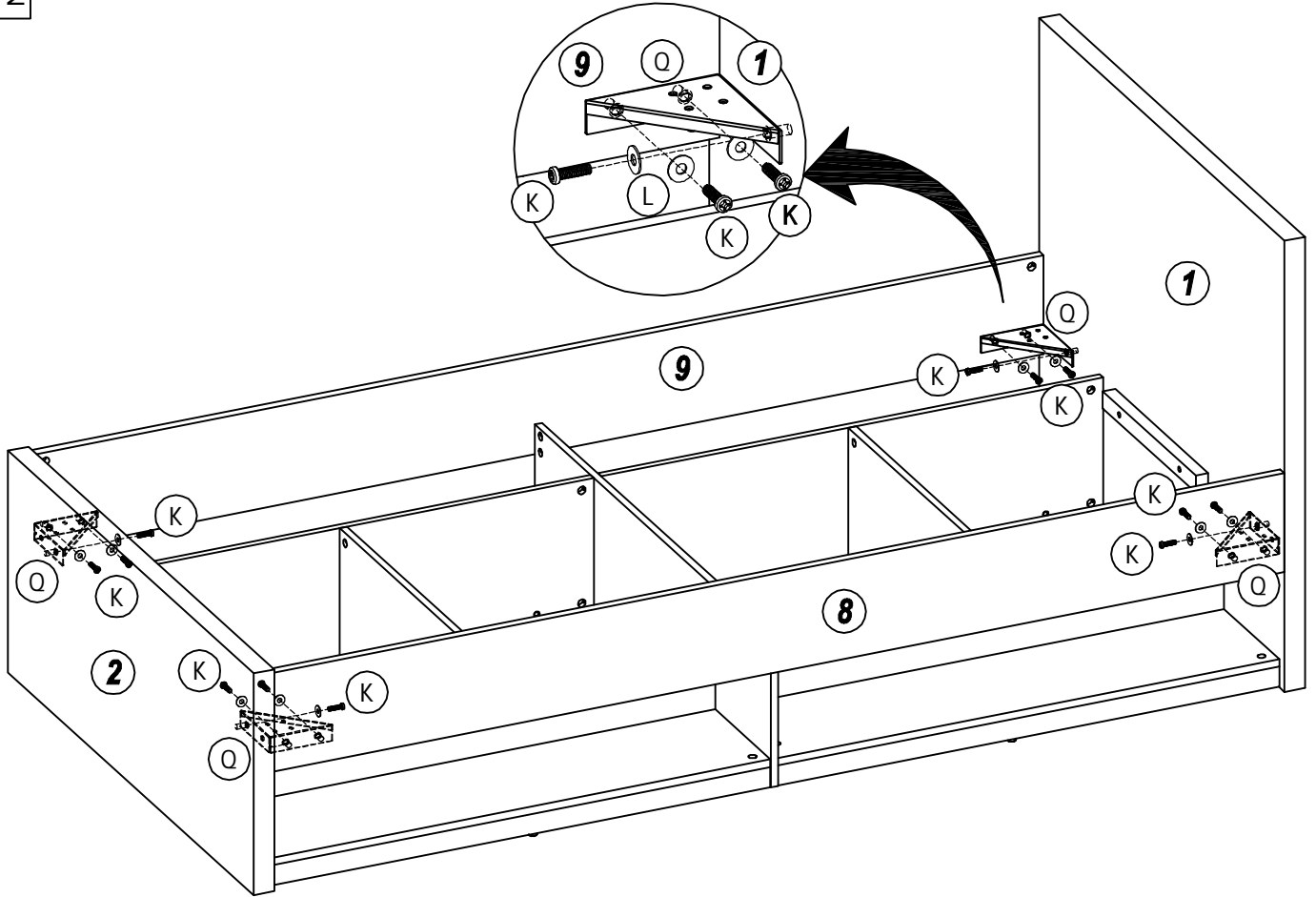
10



11



12



13

