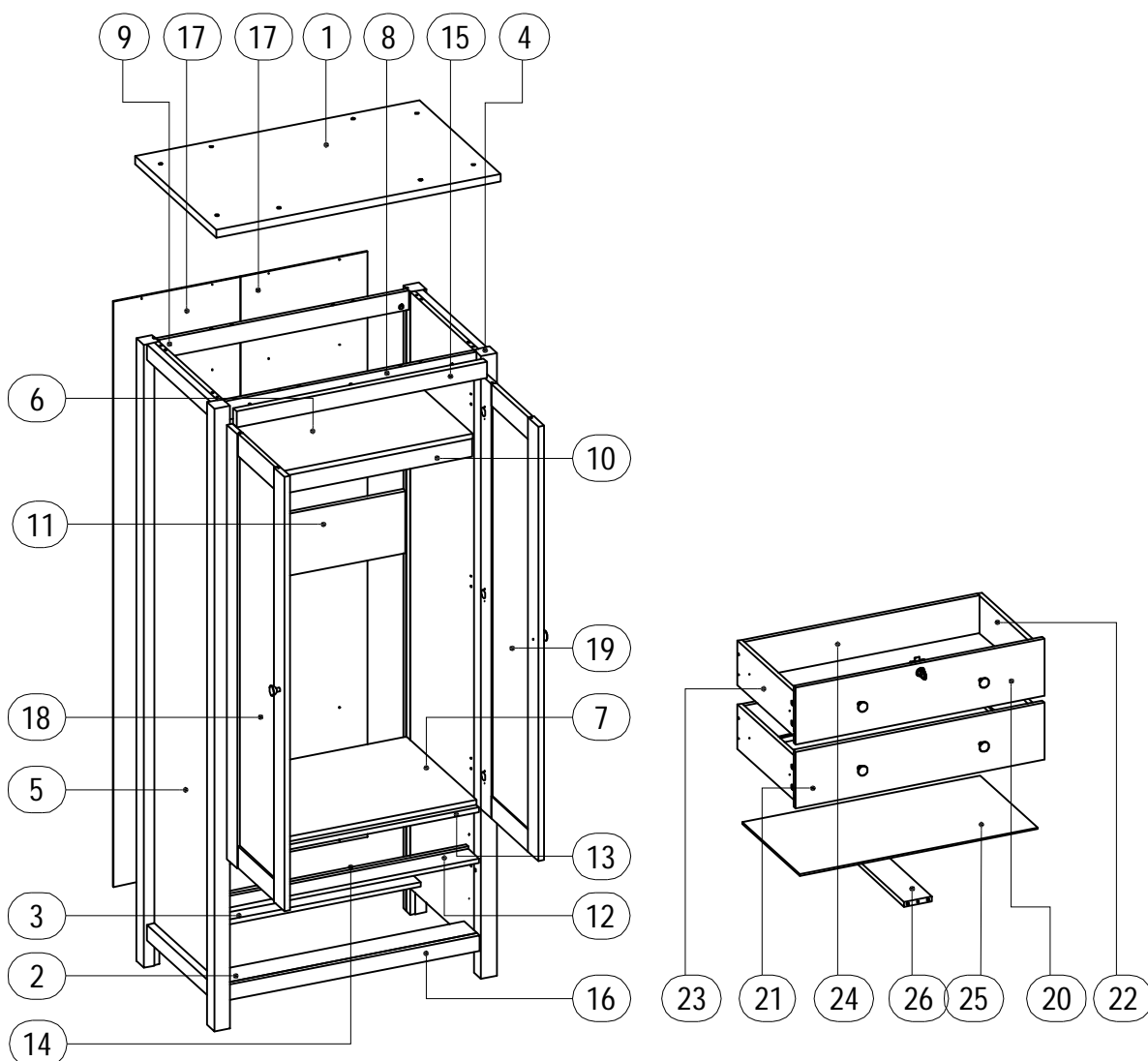
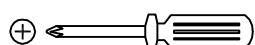
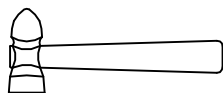
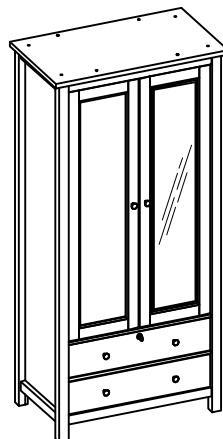
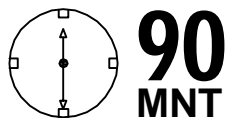
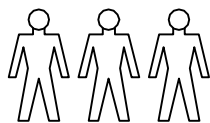


LPWD 2 S



| | | | | | | |
|------------------------------|------------------------------|-------------------------------|-------------------------------|-------------------------------|-------------------------|------------------------------|
| A x 42 | B x 42 | C x 29 | D x 50 Ø7.8 X 32 mm | J x 10 | K x 3 M6 X 30 | L x 6 |
| E x 2 Ø7.8 X 18 mm | F x 4 Ø3.5 X 25 mm | G x 16 Ø3.5 X 16 mm | H x 8 Ø3.5 X 37 mm | R x 20 Ø3.5 X 12 mm | S x 2 | T x 2 Ø3.5 X 12 mm |
| M x 12 Ø4 X 16 mm | N x 14 | P x 14 Ø3.5 X 19 mm | Q x 4 | Y x 4 Ø3.5 X 19 mm | AA x 2 | AB x 1 |
| U x 6 | V x 6 | W x 1 | Z x 2 | | | |

1

Diagram 1 shows the assembly of three long metal rails, labeled 9, 10, and 12. Each rail is secured with pins B and D. The pins B are placed at the ends, and pins D are placed along the length of the rails.

| | |
|--------------|---------------|
| B x 7 | D x 12 |
| | |
| | Ø7.8 X 32 mm |

2

2X

Diagram 2 shows the assembly of two long metal rails, labeled Z and AA. A callout shows a detail of the rail assembly, labeled AA and Z. The rails are shown being joined together.

3

Diagram 3 shows the assembly of the main frame, labeled 4 and 5. The frame is secured with screws A, T, S, R, Z, and Q. A hammer is used to secure the frame. Callouts show details of the frame assembly, labeled R and Z.

| | | | | |
|---------------|--------------|--------------|--------------|--------------|
| A x 26 | D x 4 | Q x 4 | T x 2 | Z x 2 |
| | | | | |
| | Ø7.8 X 32 mm | | Ø3.5 X 12 mm | |
| | | | R x 8 | S x 2 |
| | | | | |
| | | | Ø3.5 X 12 mm | |

4

Diagram 4 shows the assembly of four rectangular panels, labeled 6, 7, 8, and 11. Each panel is secured with pins B and D. The pins B are placed at the corners, and pins D are placed along the edges of the panels.

| | | |
|--------------|---------------|---------------|
| A x 1 | B x 14 | D x 16 |
| | | |
| | | Ø7.8 X 32 mm |

5

Diagram 5 shows the assembly of three horizontal bars. Bar 3 is the top bar, bar 2 is the middle bar, and bar 16 is the bottom bar. Pins (B) are inserted into the top of bar 3. Washers (D) are placed between bar 3 and bar 2, and between bar 2 and bar 16. Screws (A) are used to secure the bars together.

| | | |
|--------------|--------------|--------------|
| A x 3 | B x 9 | D x 6 |
| | | |
| | | Ø7.8 X 32 mm |

6

Diagram 6 shows the assembly of four horizontal bars: 8, 15, 12, and 14. Screws (K) are used to secure bars 8 and 15. Screws (J) are used to secure bars 12 and 14. A circular inset shows a detail of the assembly where a screw (J) is being inserted into a hole in bar 12.

| | |
|--------------|--------------|
| J x 2 | K x 3 |
| | |
| | M6 X 30 |

7

Diagram 7 shows the assembly of bar 13 and panel 7. Screws (E) are used to secure bar 13 to panel 7. Screws (F) are used to secure bar 13 to the frame.

| | | |
|--------------|--------------|--------------|
| C x 1 | E x 2 | F x 4 |
| | | |
| | Ø7.8 X 18 mm | Ø3.5 X 25 mm |

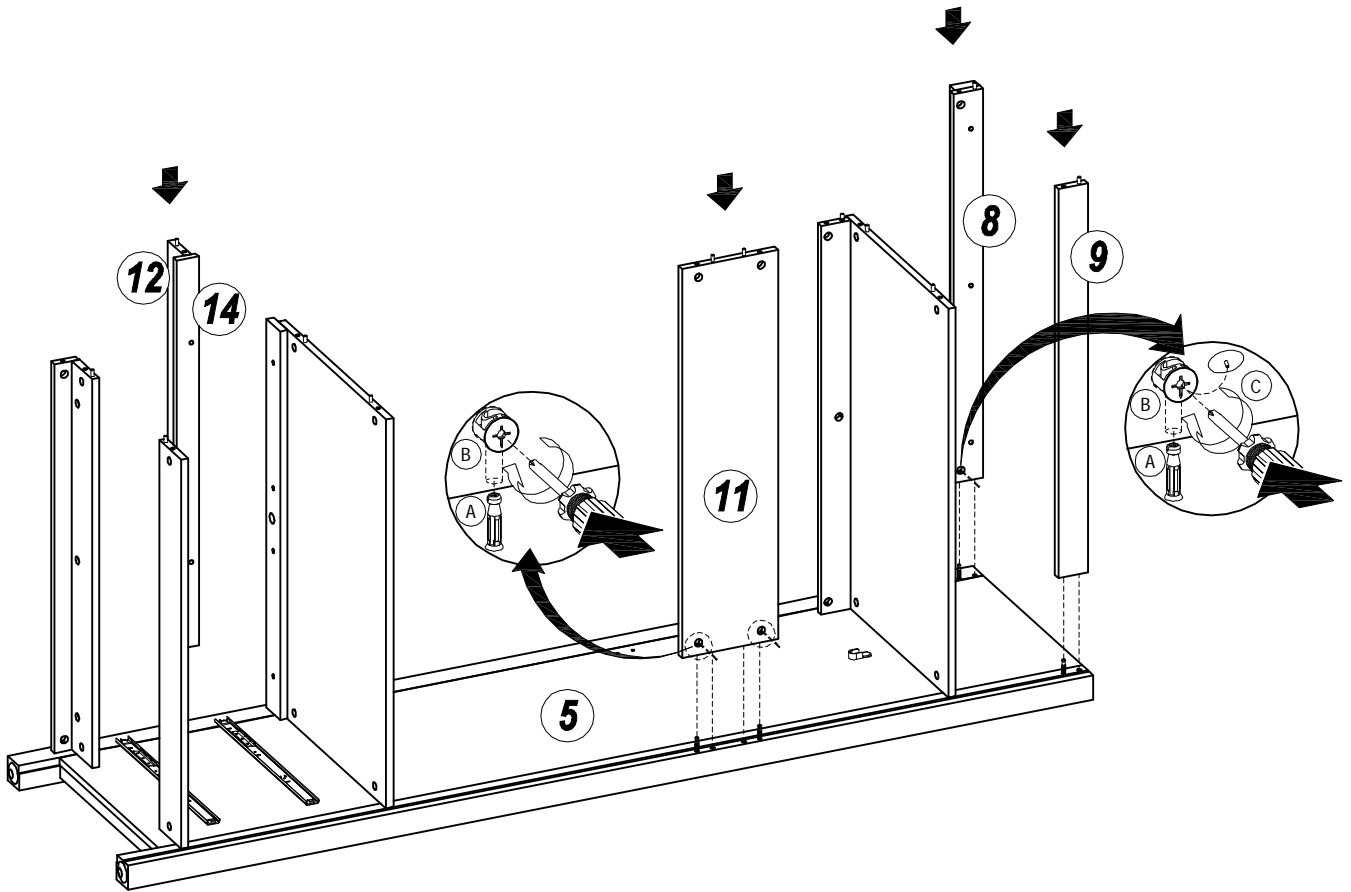
Diagram 7 (continued) shows the assembly of bar 10 and panel 6. Screws (A), (B), and (C) are used to secure bar 10 to panel 6. A circular inset shows a detail of the assembly where a screw (A) is being inserted into a hole in bar 10.


8

Diagram 8 shows the final assembly of the frame. Vertical bars 16, 13, 2, 3, 7, 10, and 6 are attached to the horizontal bars from the previous steps. A circular inset shows a detail of the assembly where a screw (A) is being inserted into a hole in bar 10.

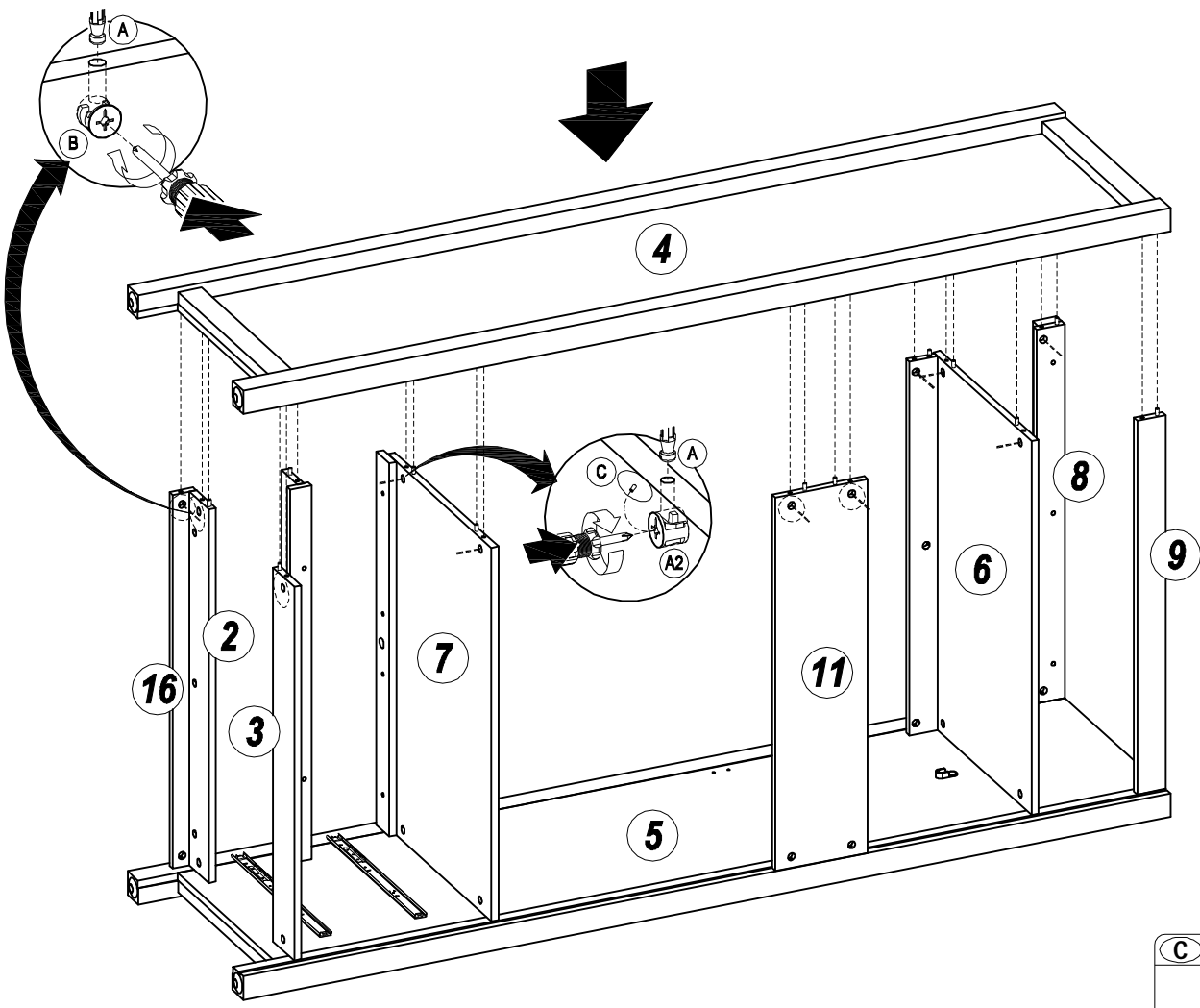
| |
|--------------|
| C x 5 |
| |


9



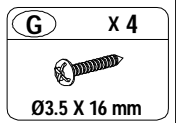
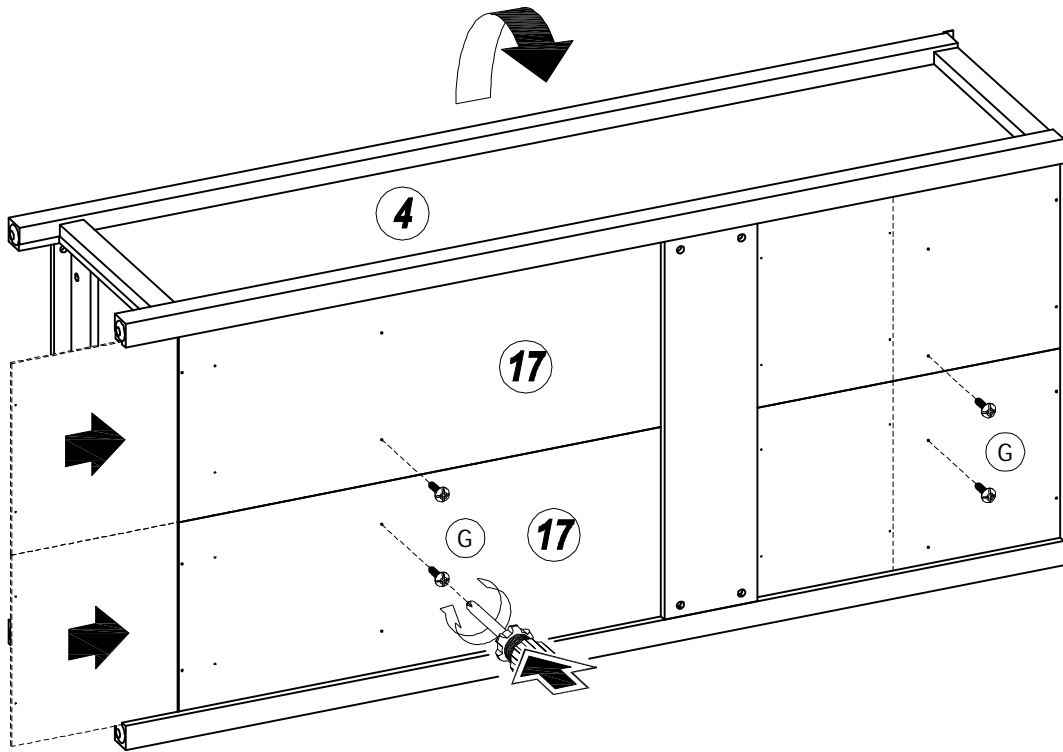
| | |
|---|-----|
| C | x 3 |
|  | |

10

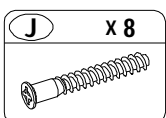
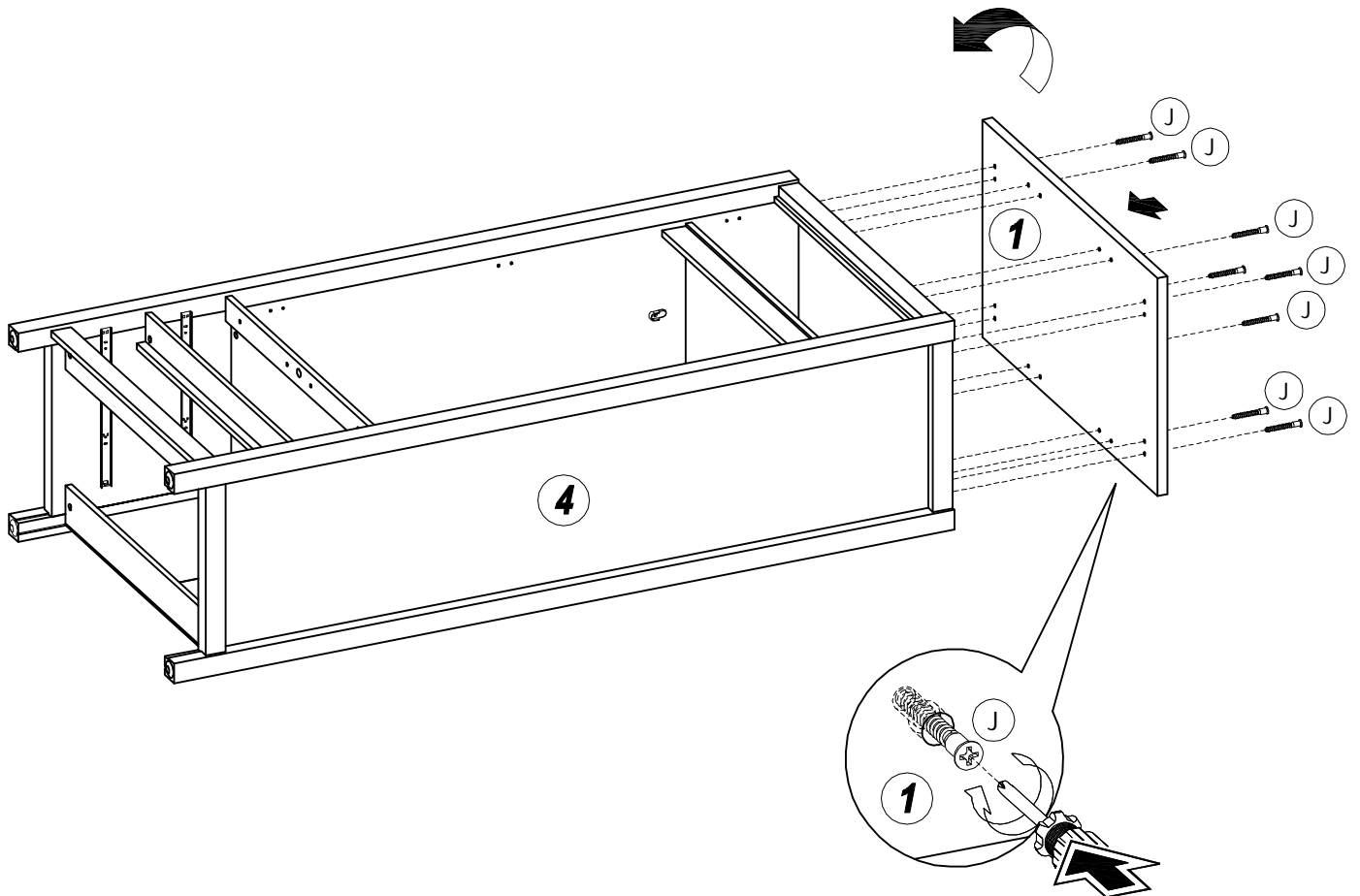


| | |
|---|-----|
| C | x 8 |
|  | |

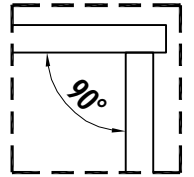
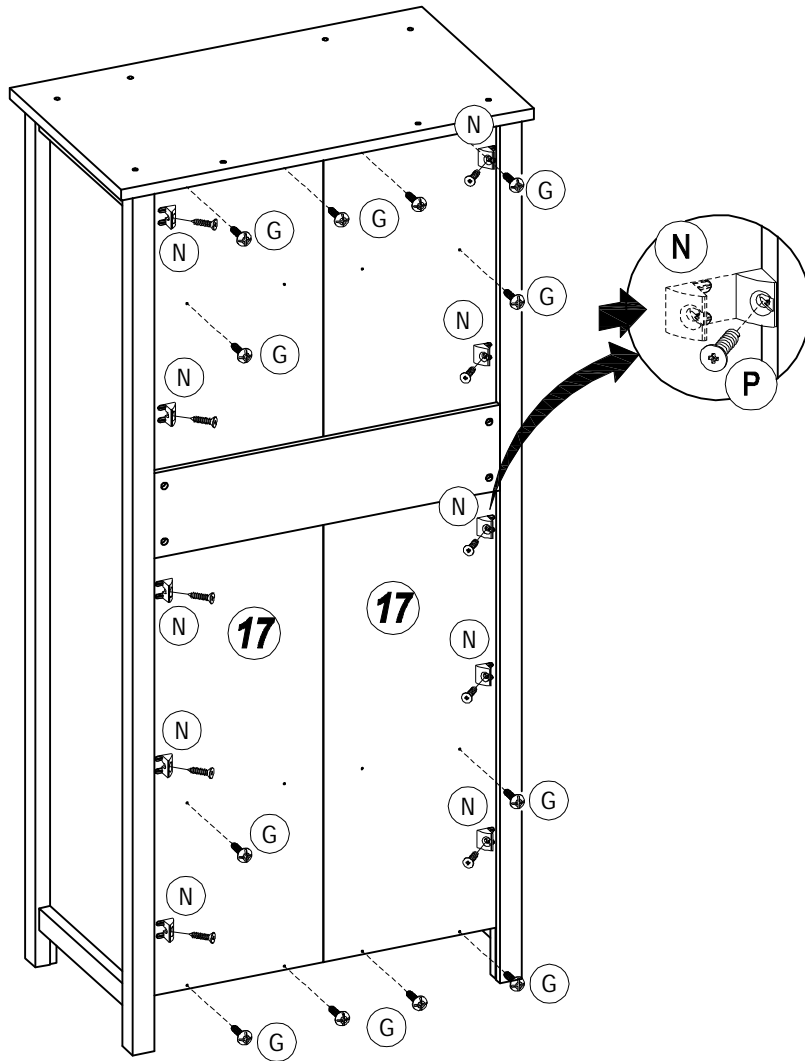
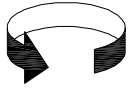
11


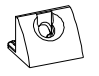
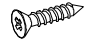


12

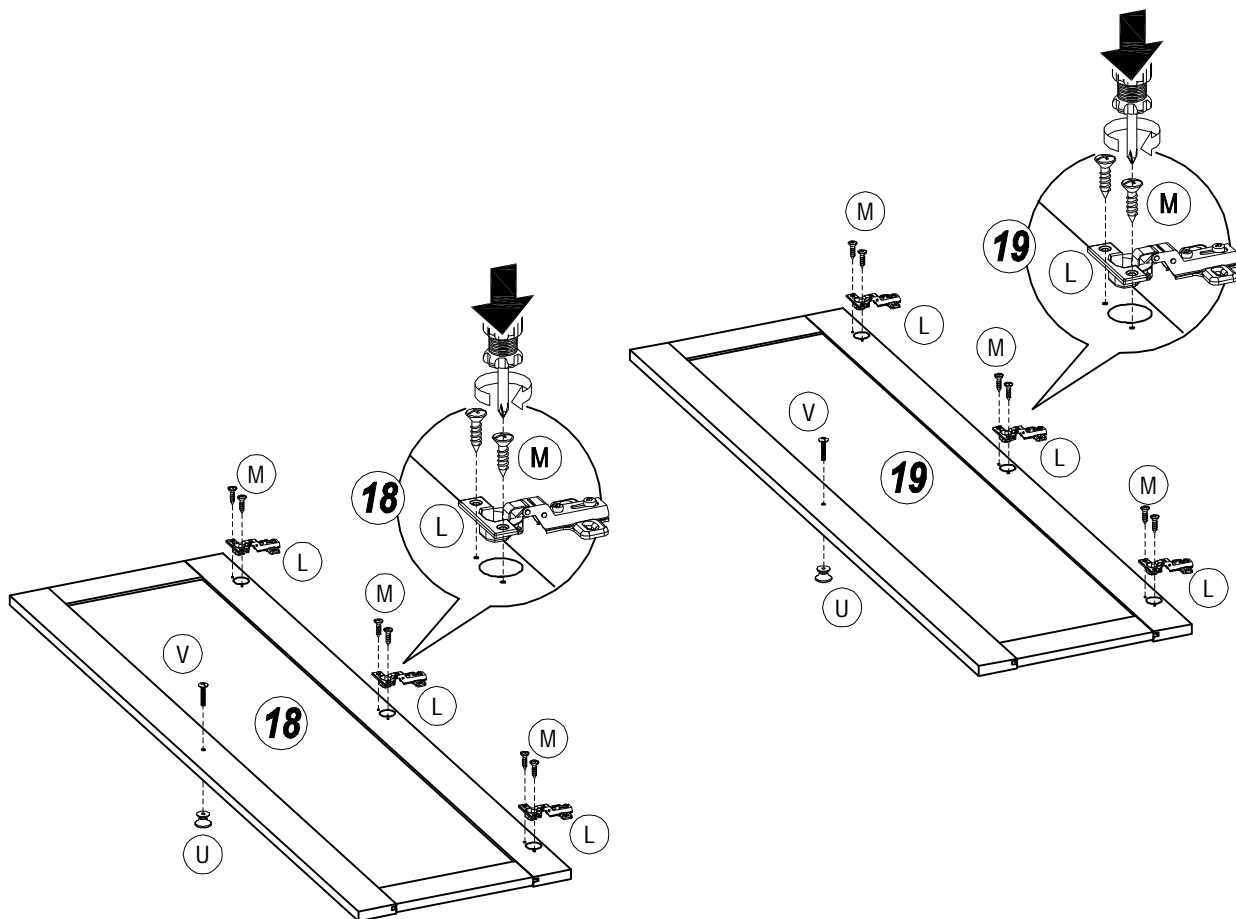


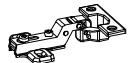


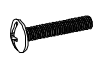
13



- G** x 12

 Ø3.5 X 16 mm
- N** x 10

- P** x 10

 Ø3.5 X 19 mm

14



- L** x 6

- M** x 12

 Ø4 X 16 mm
- U** x 2

- V** x 2


15

A x 12 **B** x 12 **D** x 12 **U** x 4 **V** x 4 **W** x 1 **Y** x 4

Ø7.8 X 32 mm Ø3.5 X 19 mm

16

H x 4 **C** x 6

Ø3.5 X 37 mm

17

N x 2 **P** x 2 **R** x 4 **AA** x 1

Ø3.5 X 19 mm Ø3.5 X 12 mm

18

H x 4 **C** x 6

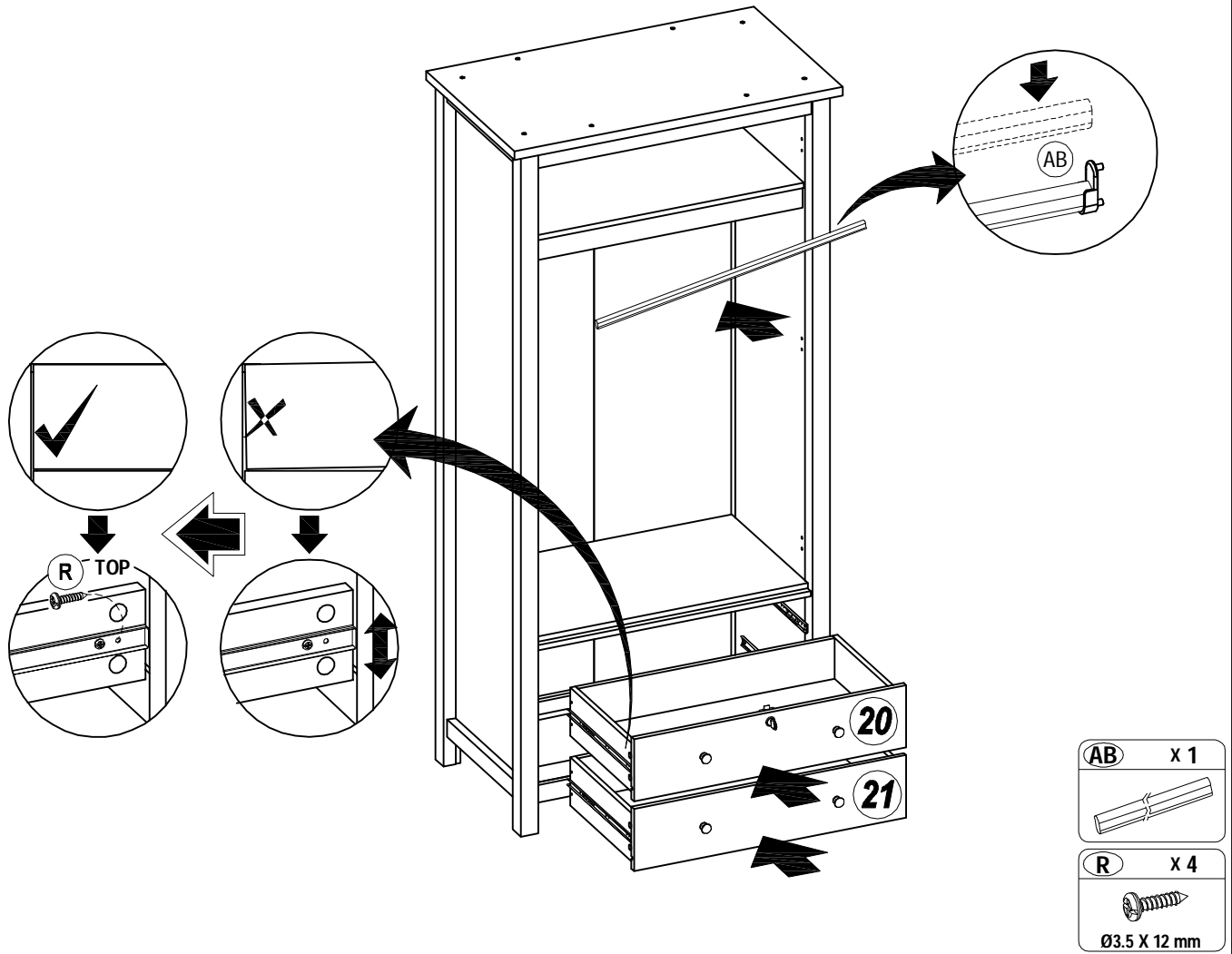
Ø3.5 X 37 mm

19

N x 2 **P** x 2 **R** x 4 **AA** x 1

Ø3.5 X 19 mm Ø3.5 X 12 mm

20



21

