
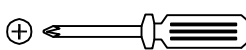
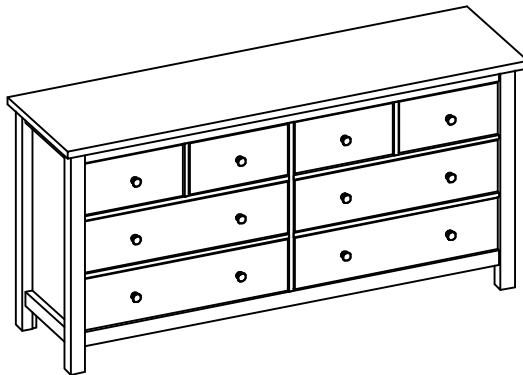


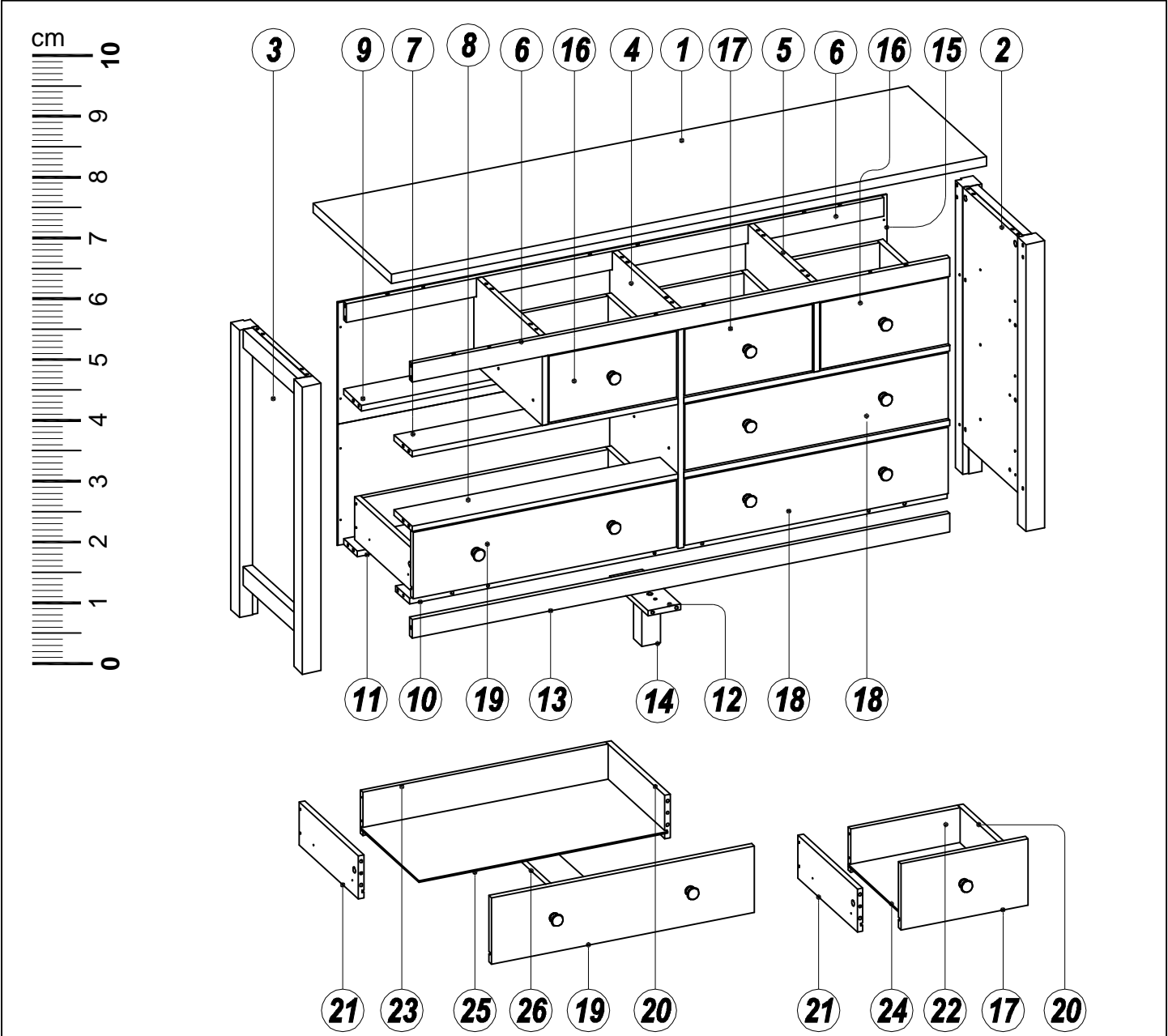
90
MNT

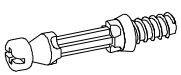




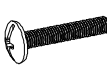


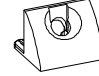
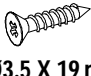
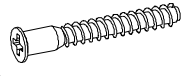

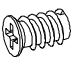


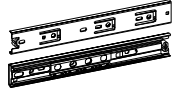
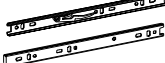

LPSB 160 S

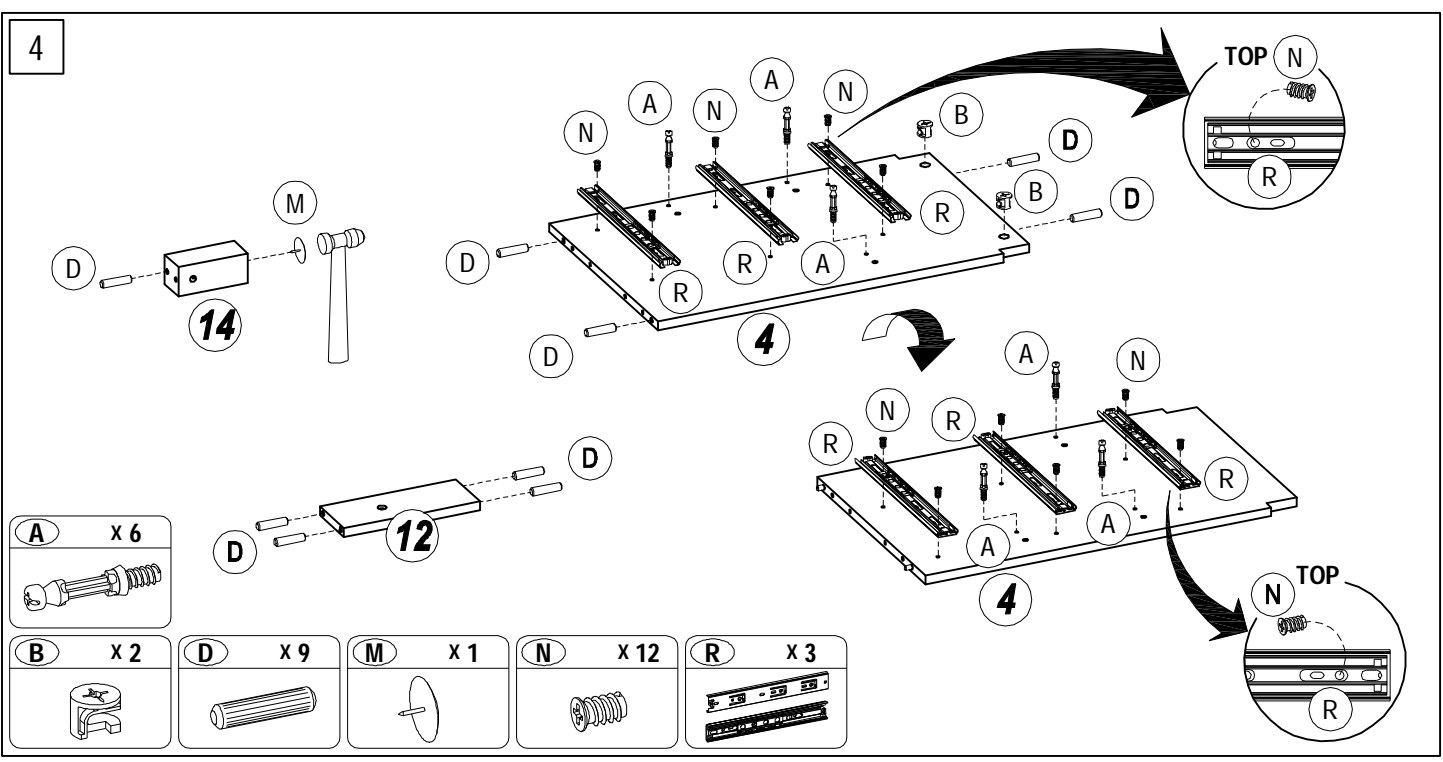
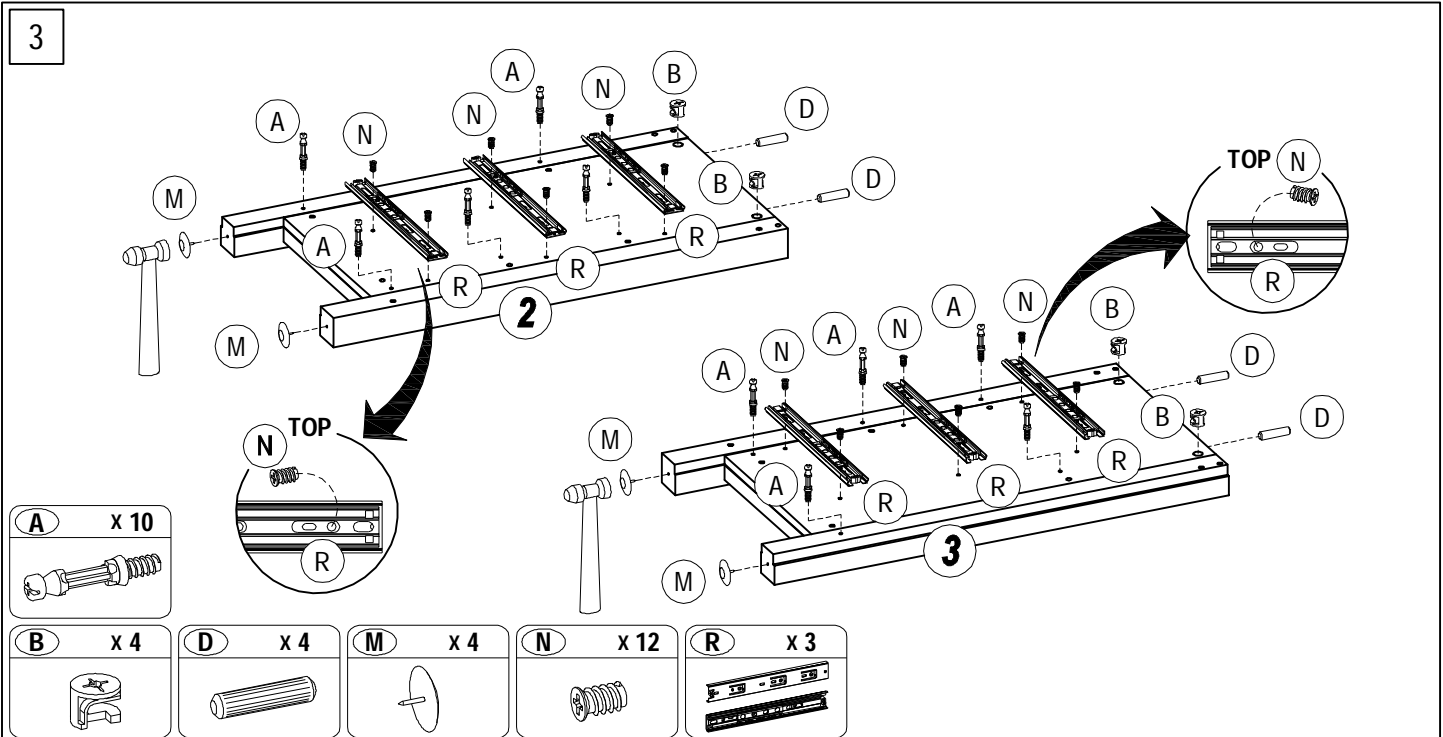
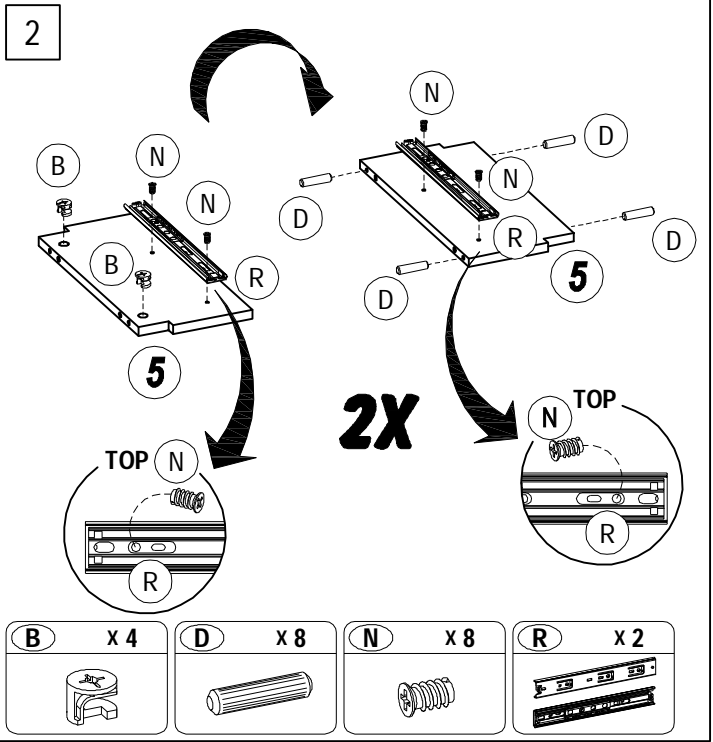
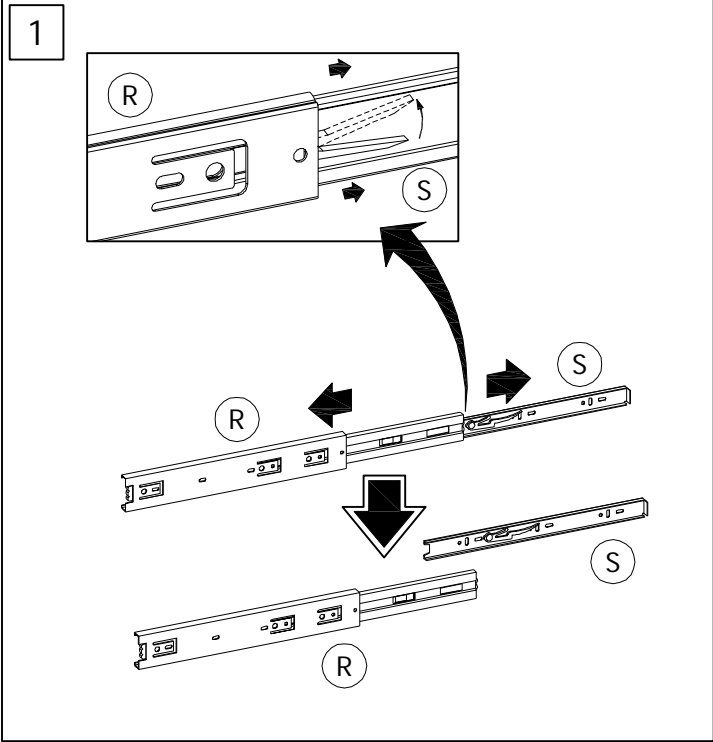


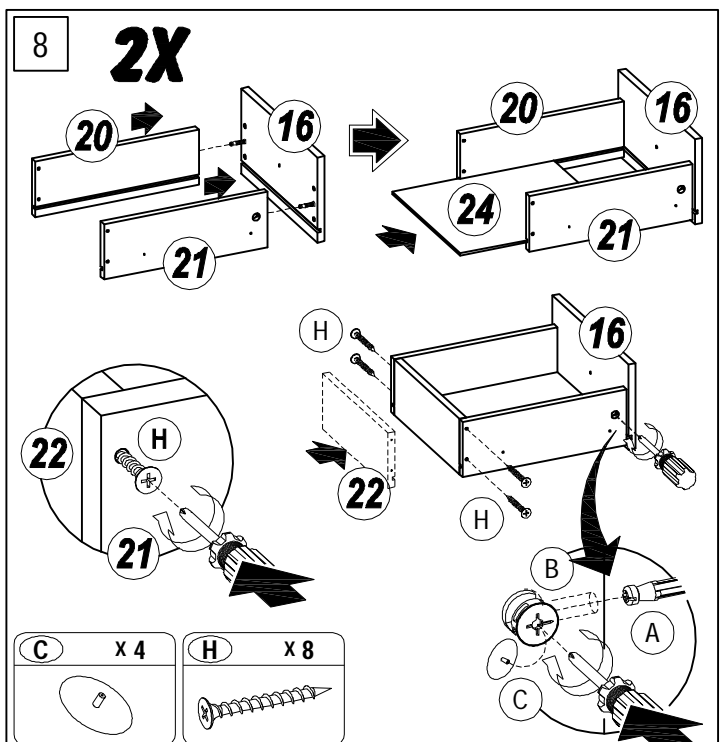
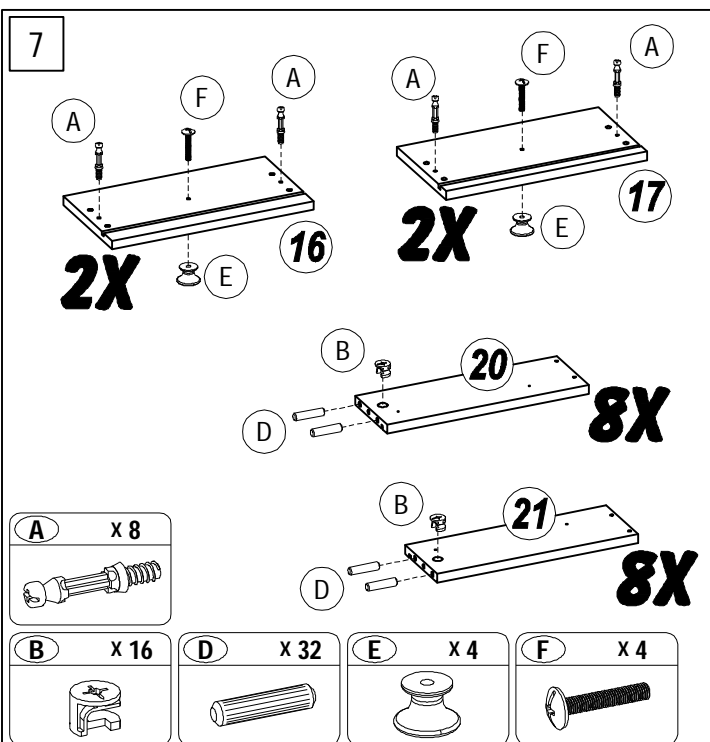
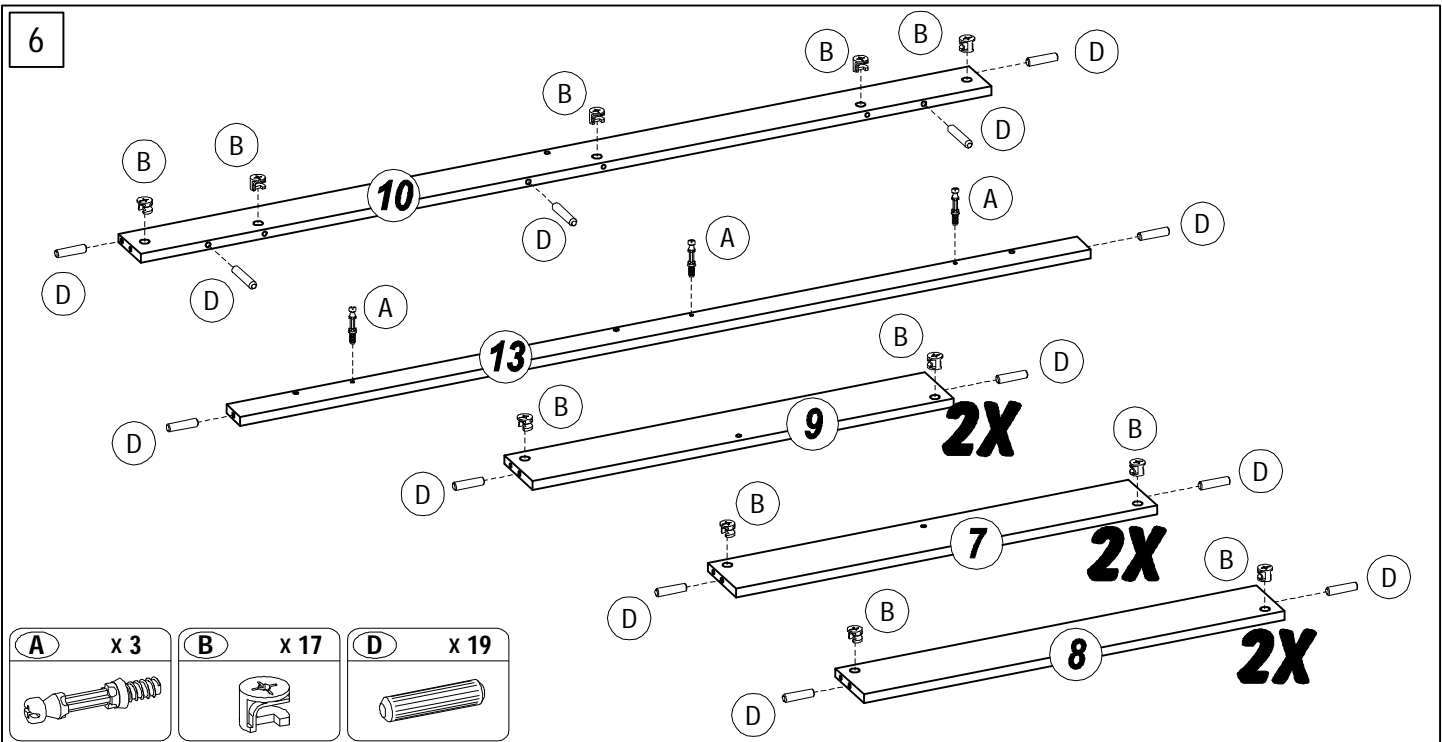
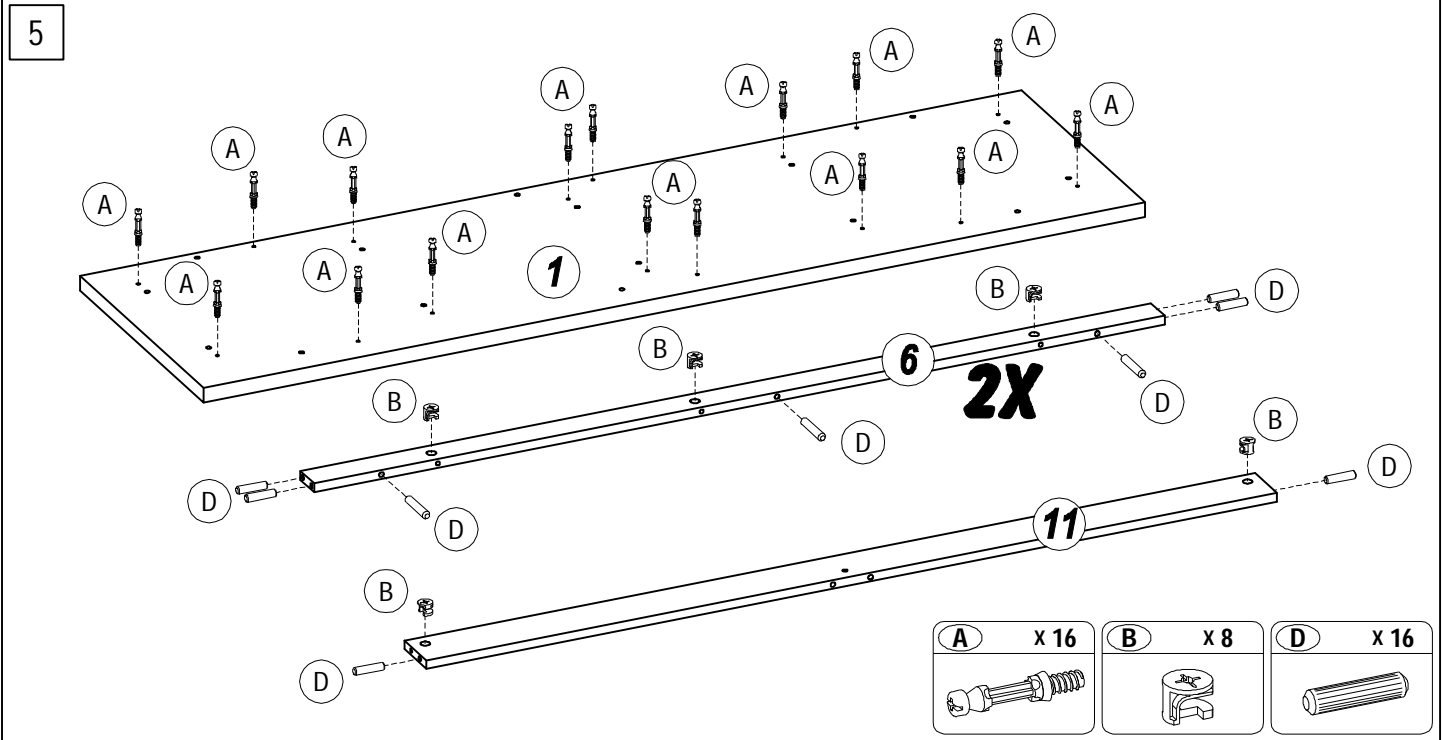






A x 59	B x 59	C x 56	D x 104				
							
E x 12	F x 12	G x 48	H x 32	J x 16	K x 16	L x 8	
		 Ø3.5 X 12 mm			 Ø3.5 X 19 mm		
M x 5	N x 32	P x 1	Q x 1	R x 8	S x 8	T x 24	
						 Ø3.5 X 16 mm	





9 **2X**

C x 4 H x 8

10 **4X**

G x 16 J x 8 K x 8 S x 4

Ø3.5 X 12 mm Ø3.5 X 19 mm

11 **4X**

A x 16 B x 8 D x 16 E x 8 F x 8

11 **2X**

A x 16 B x 8 D x 16 E x 8 F x 8

12

C x 8 H x 8

13

C x 8 H x 8

14

4X

G x 16
Ø3.5 X 12 mm

J x 8

K x 8
Ø3.5 X 19 mm

S x 4

15

P x 1

Q x 1

14

16

C x 3

17

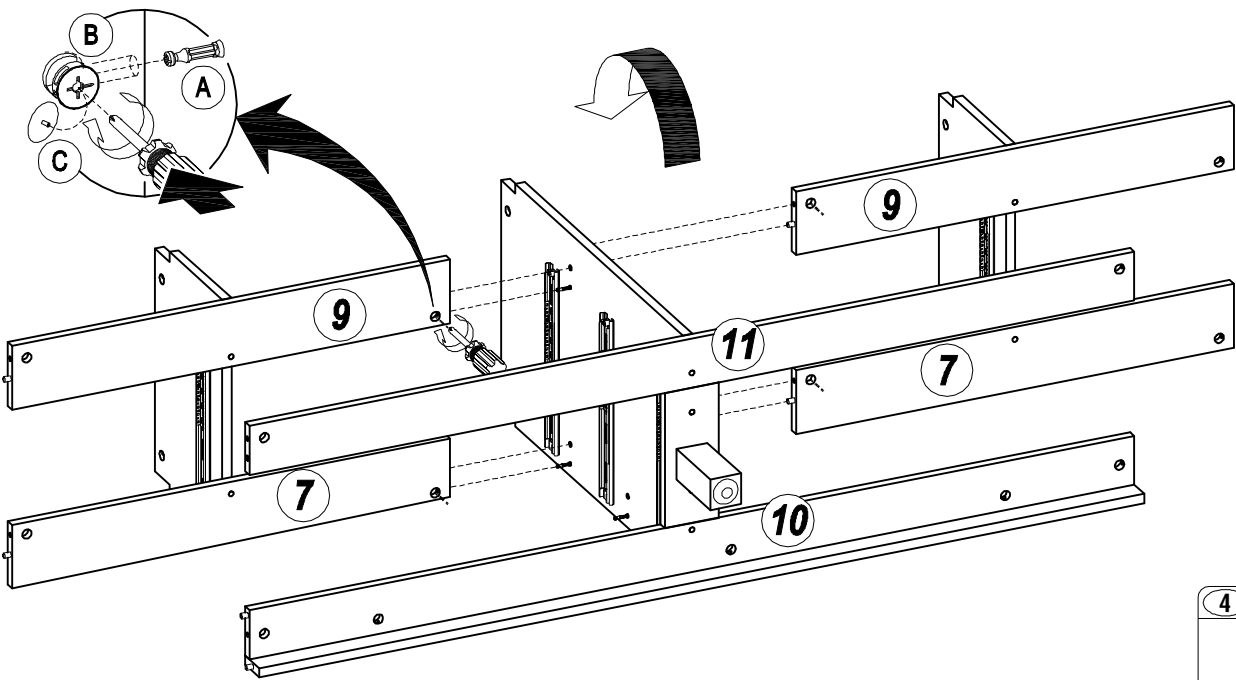
2X


L x 4

18

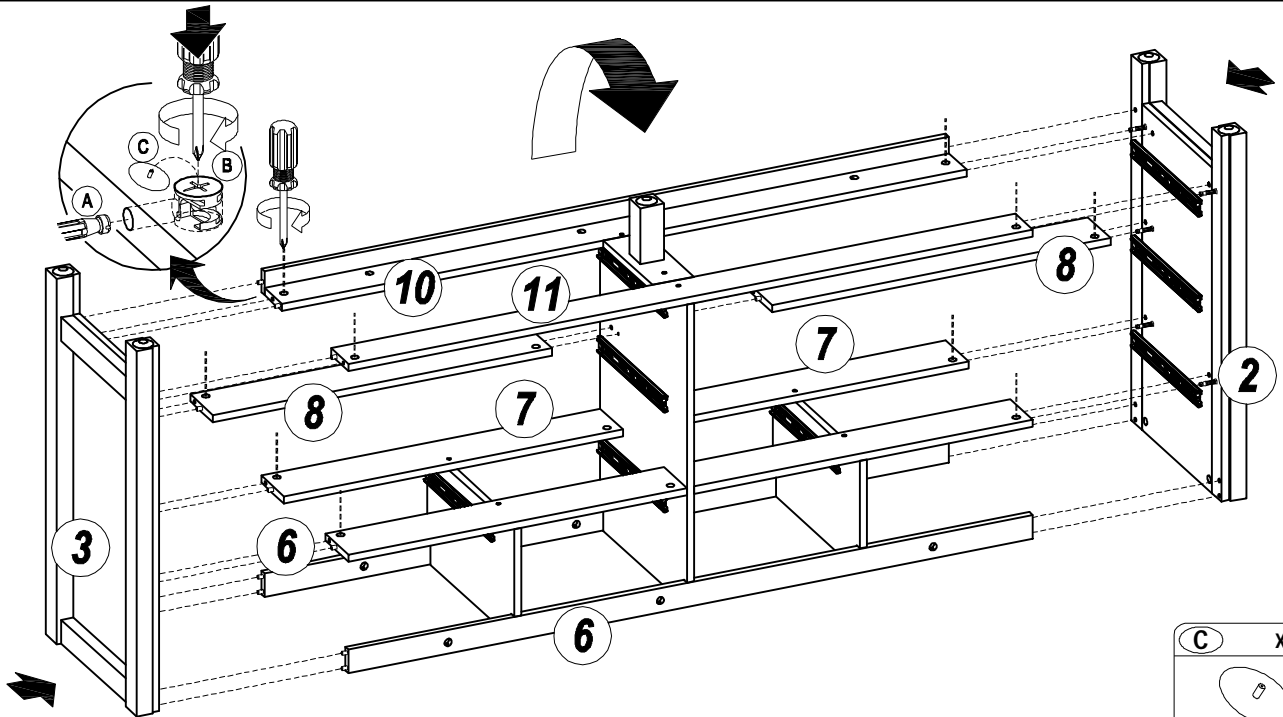
L x 4


19



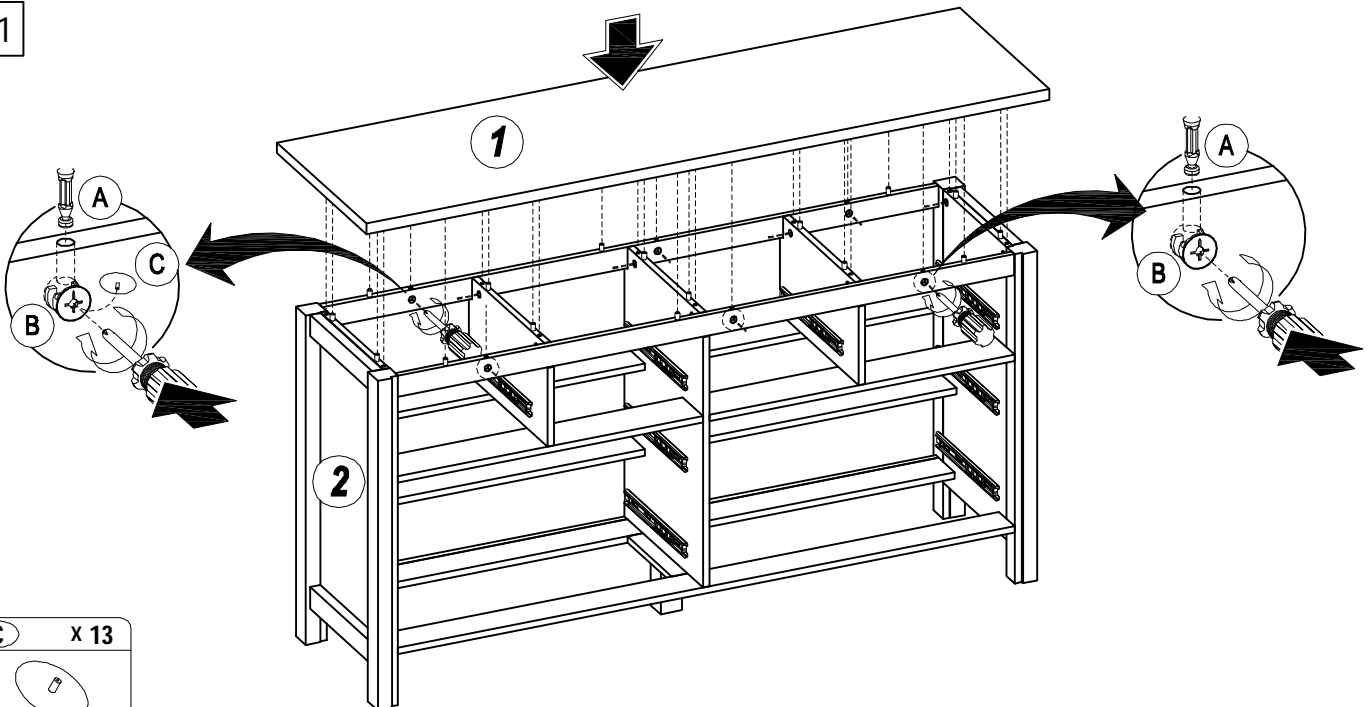
4 x 4



20



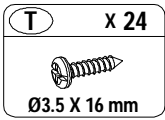
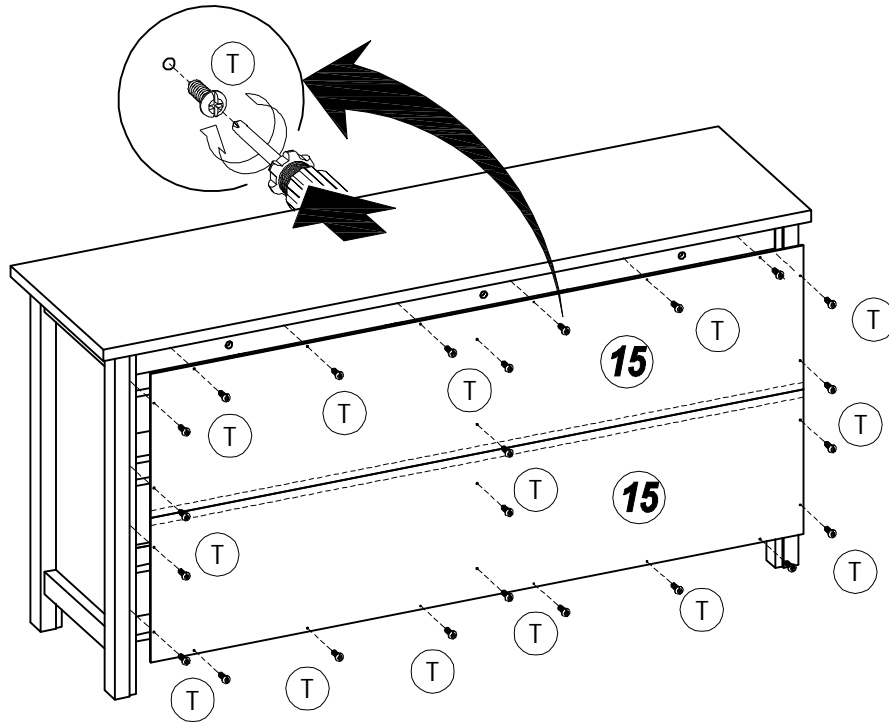
C x 12


21

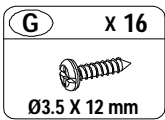
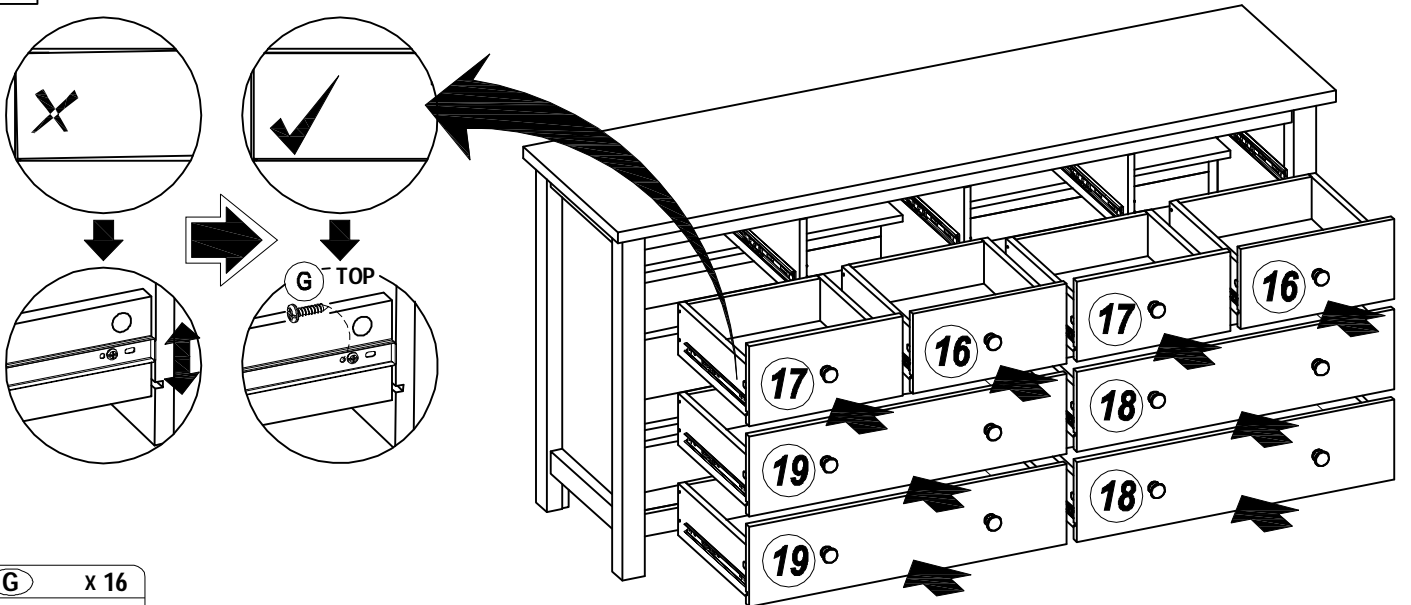


C x 13


22



23



24

