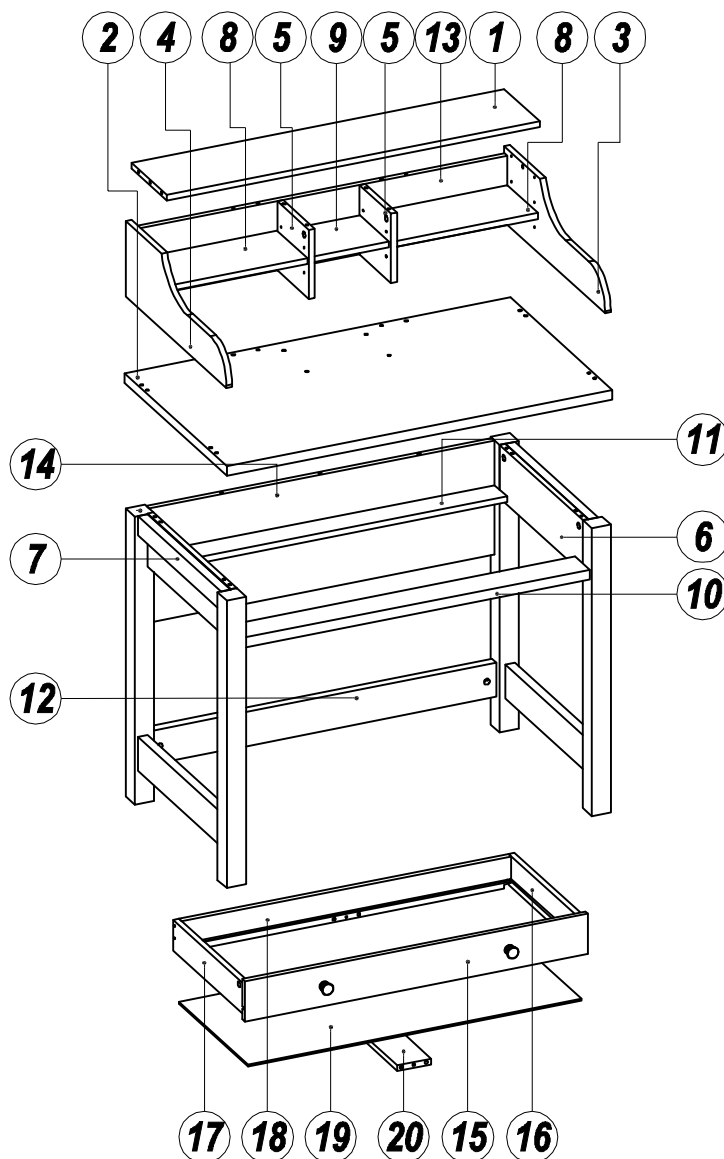
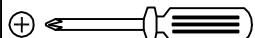
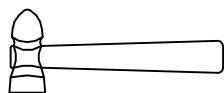
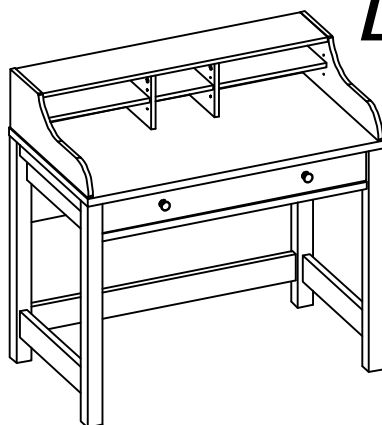
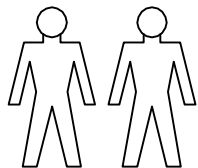


LPDK 100S



A x 29	B x 29	C x 29	D x 44		
E x 9	F x 2	G x 2	H x 12	J x 2	K x 2
					 Ø3.5 X 19 mm
L x 1	M x 2	N x 4	P x 4	Q x 4	R x 1

1

A x 5	B x 4
D x 8	L x 1

2

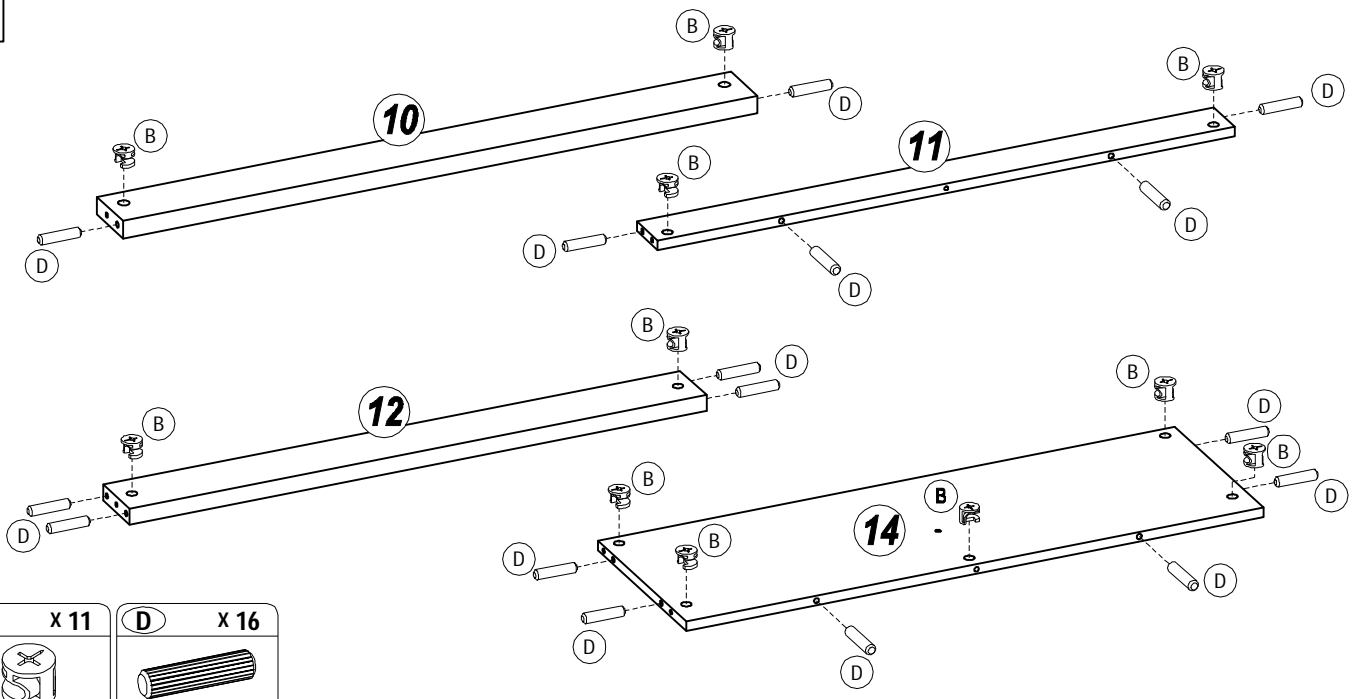
2X

A x 10	B x 6	D x 10
---------------	--------------	---------------

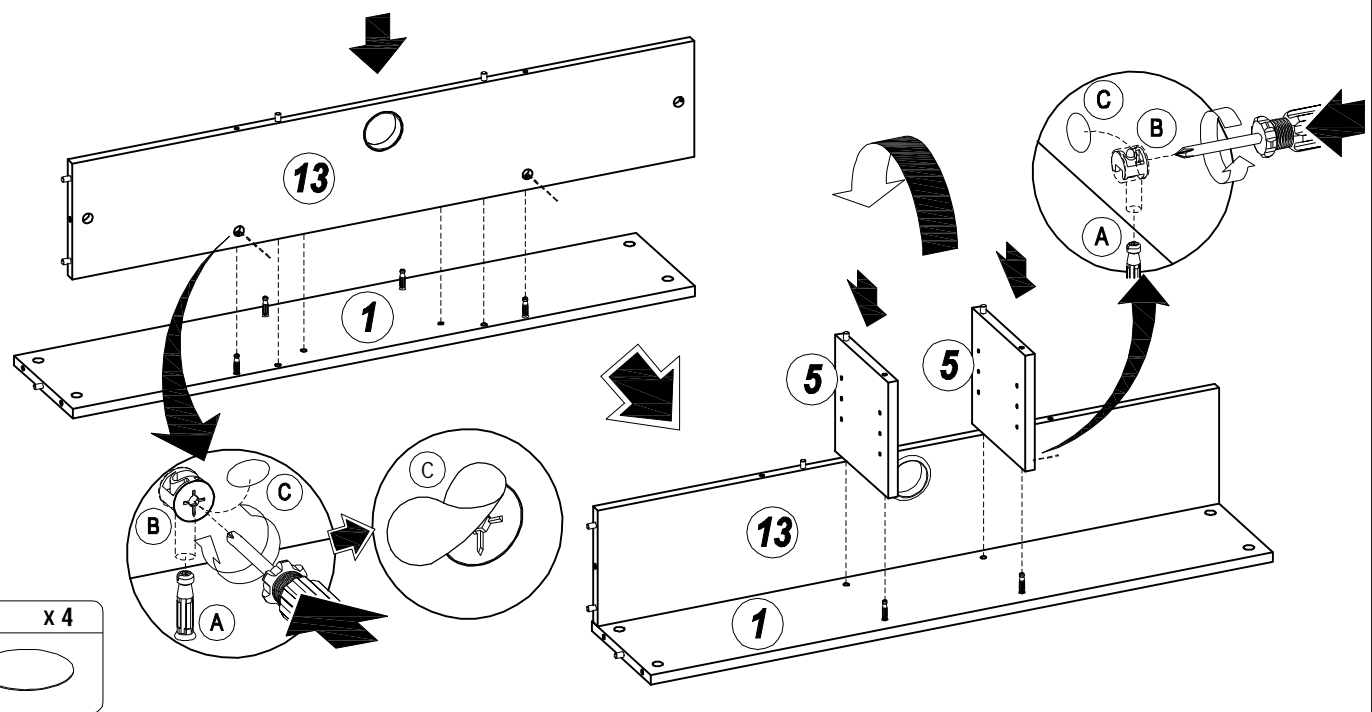
3

A x 10	B x 4		
D x 4	N x 4	Q x 4	R x 1

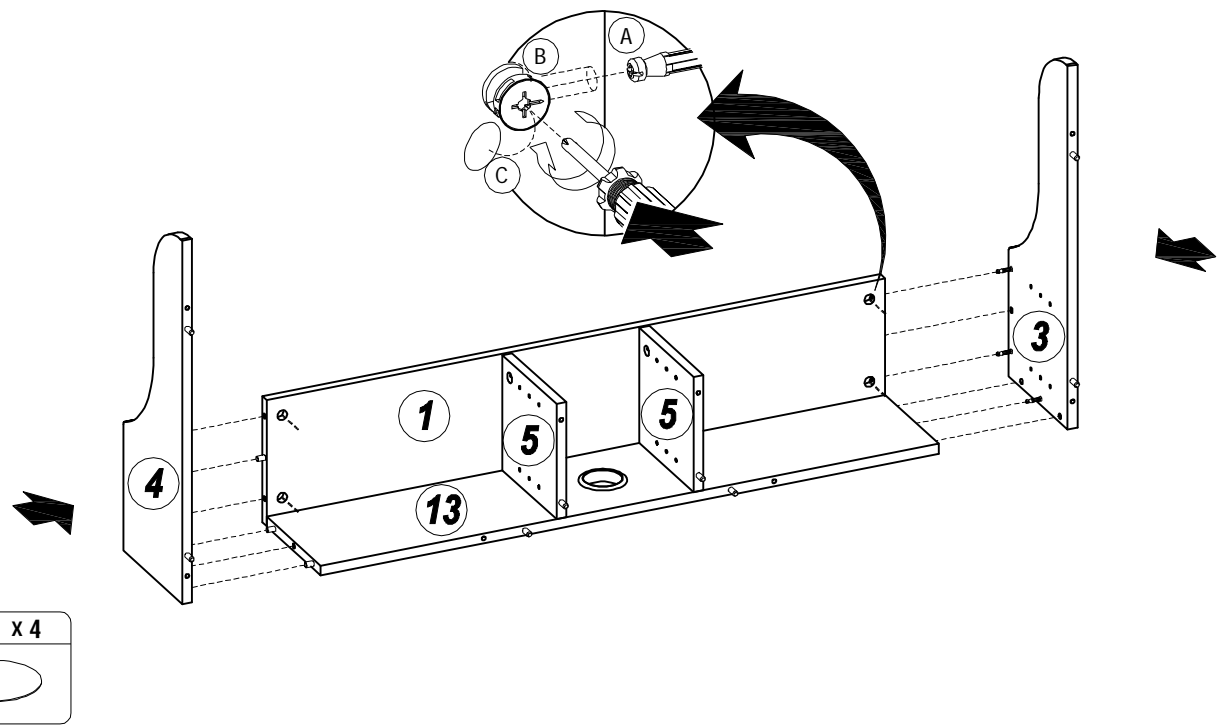
4



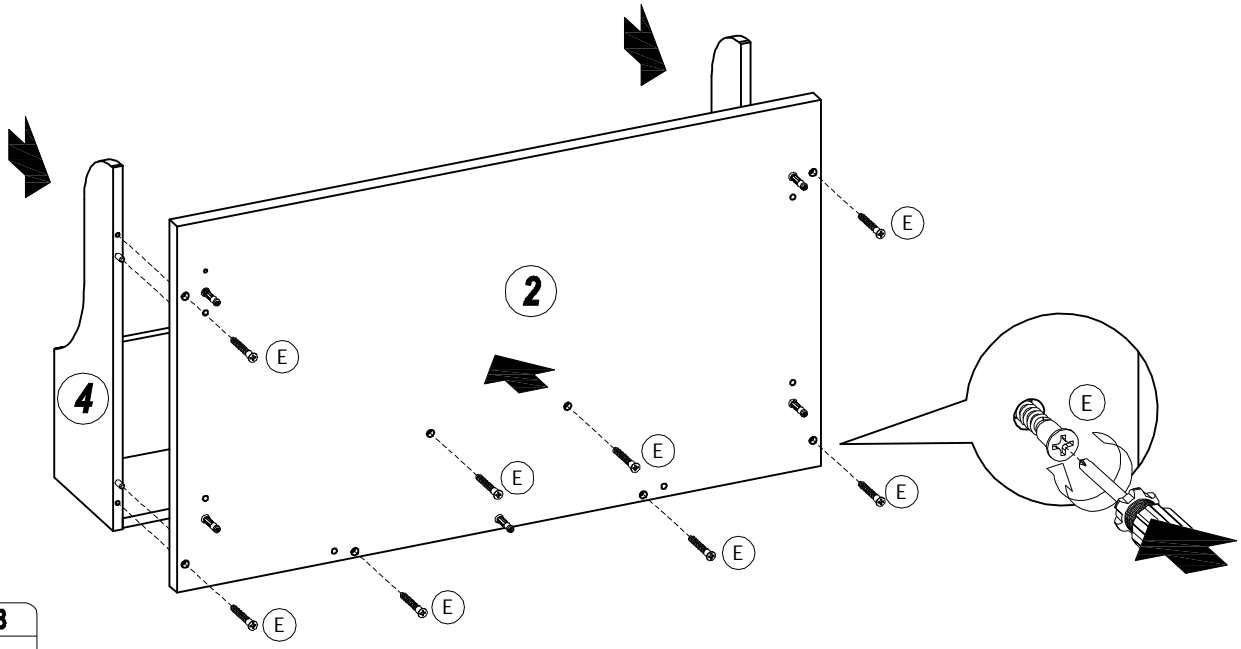
5



6

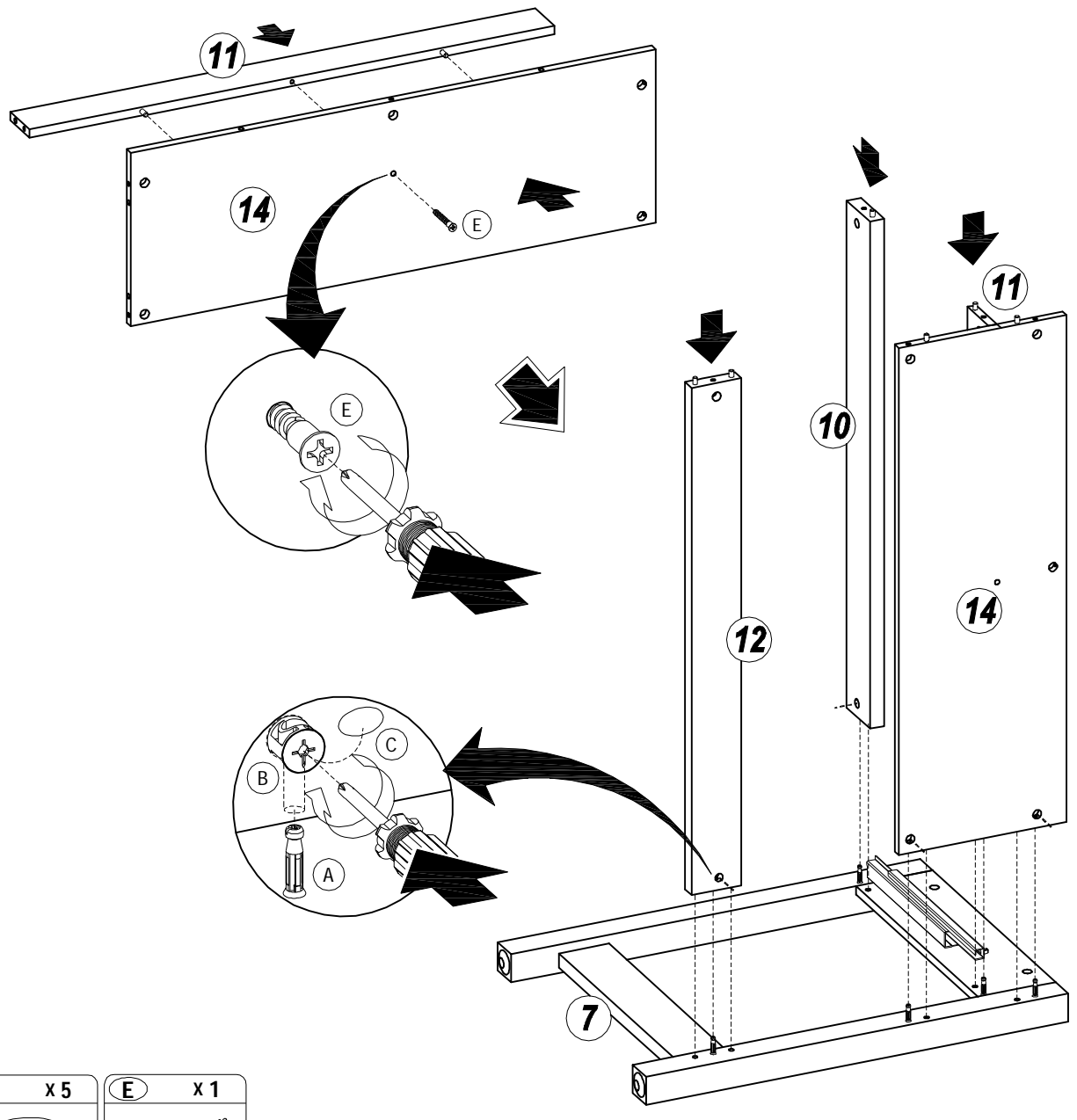


7



E x8

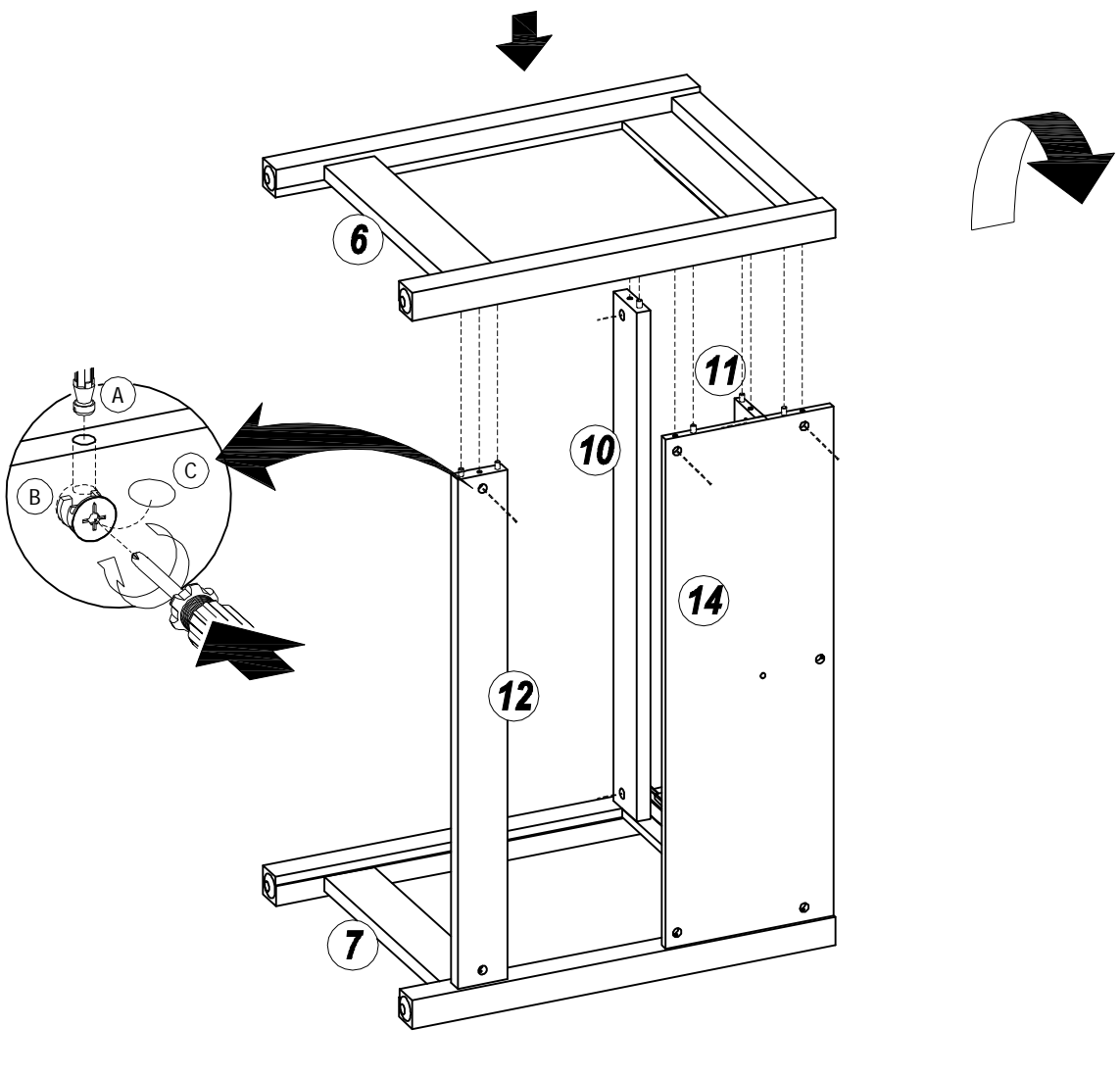
8



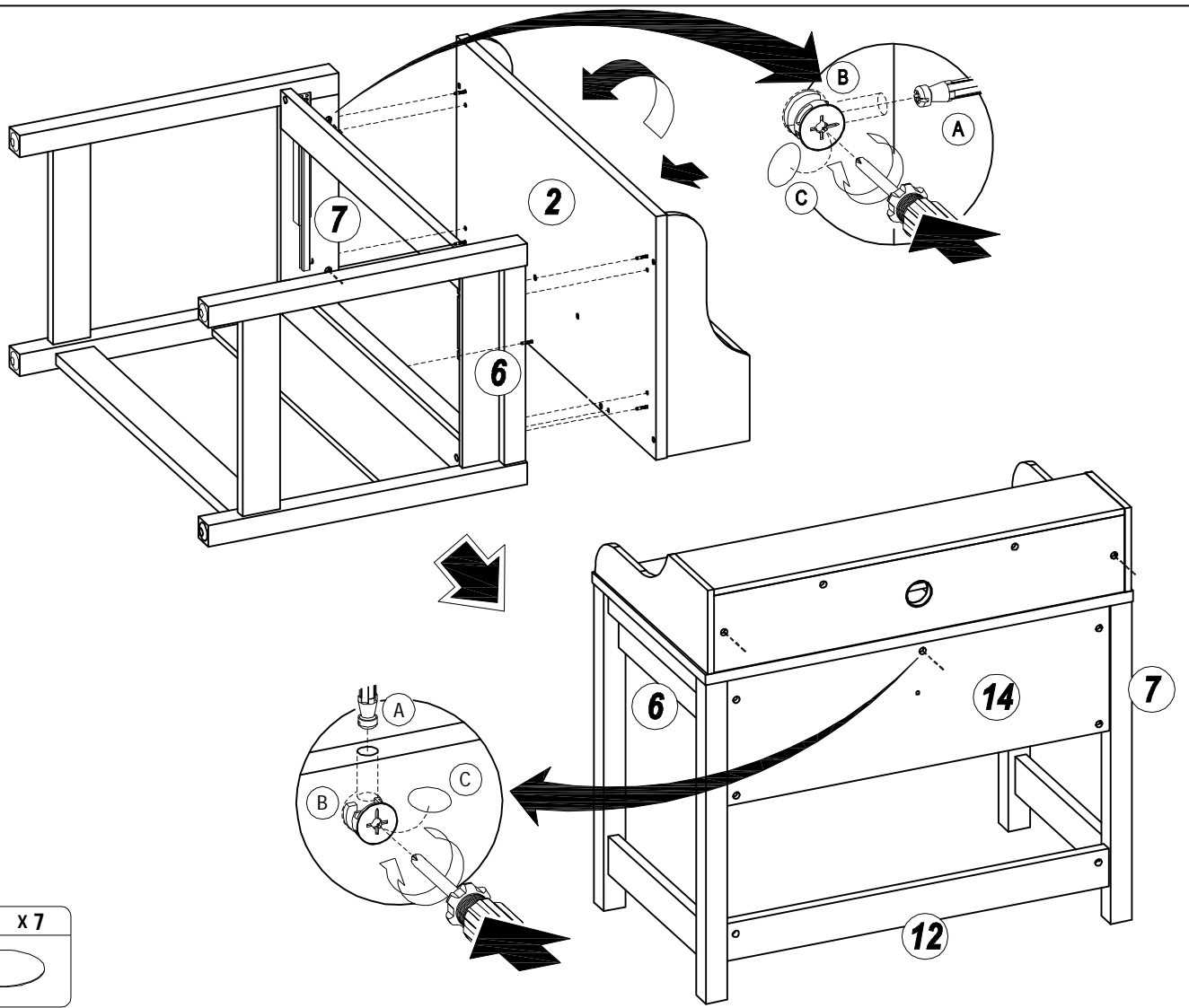
C x5

E x1

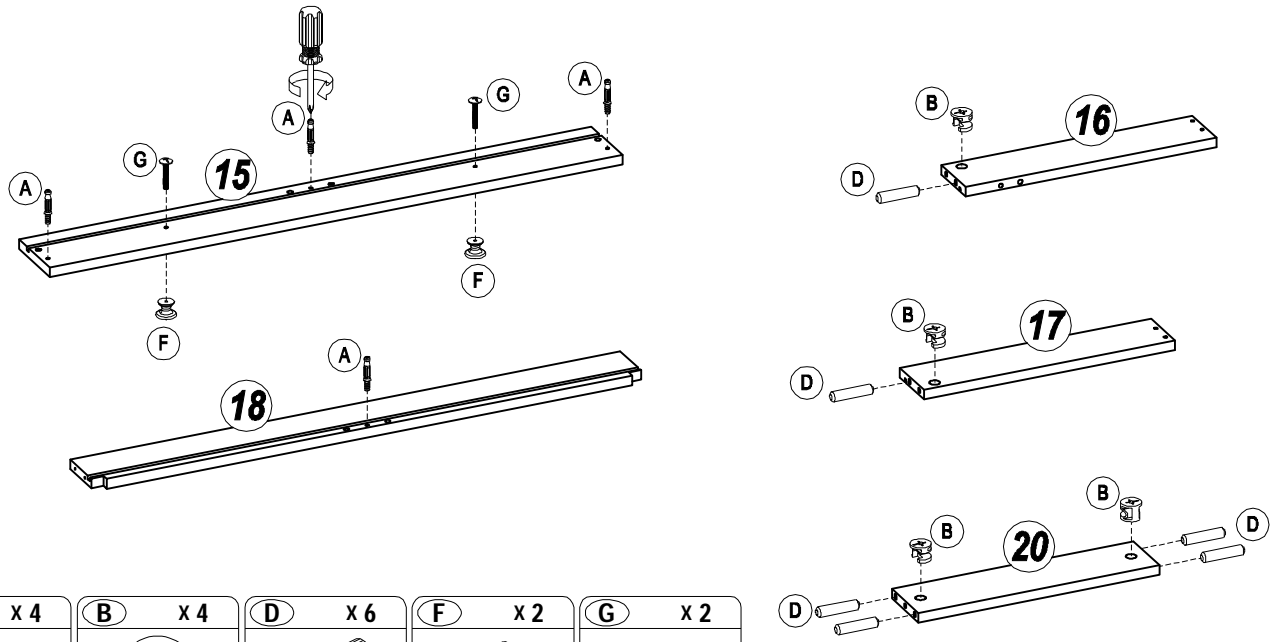
9



10

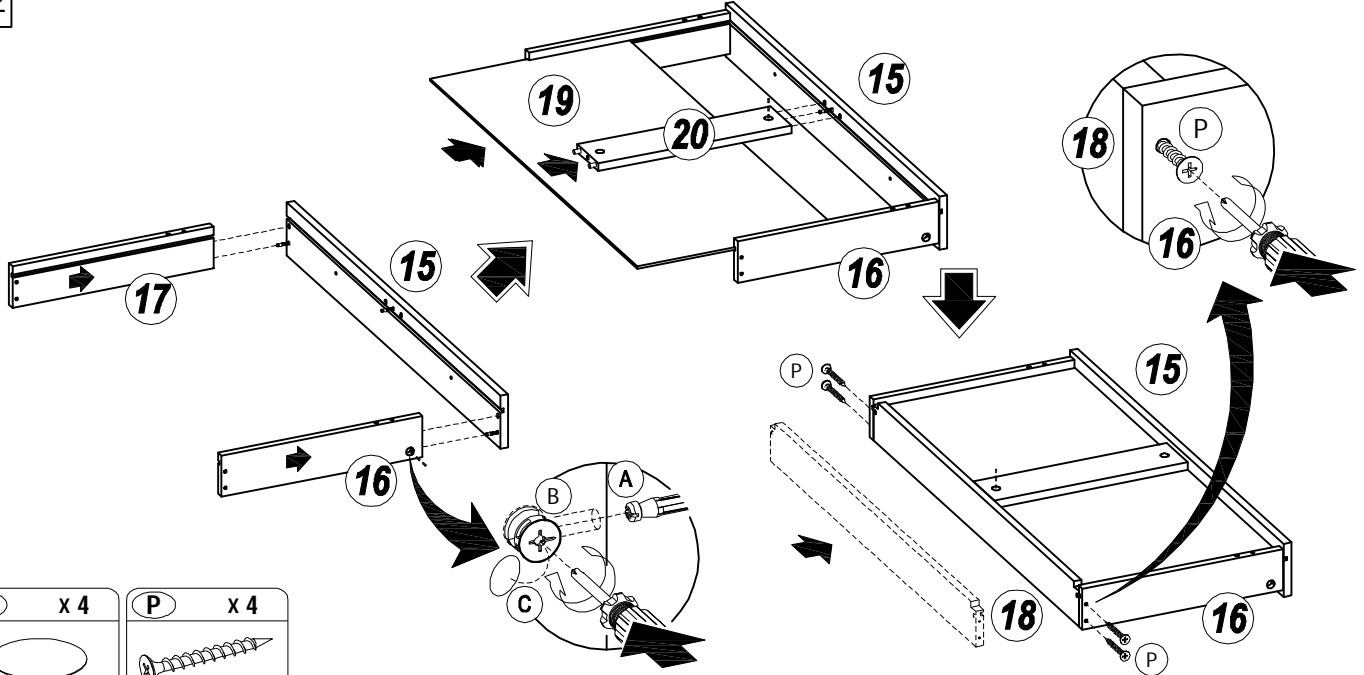


11



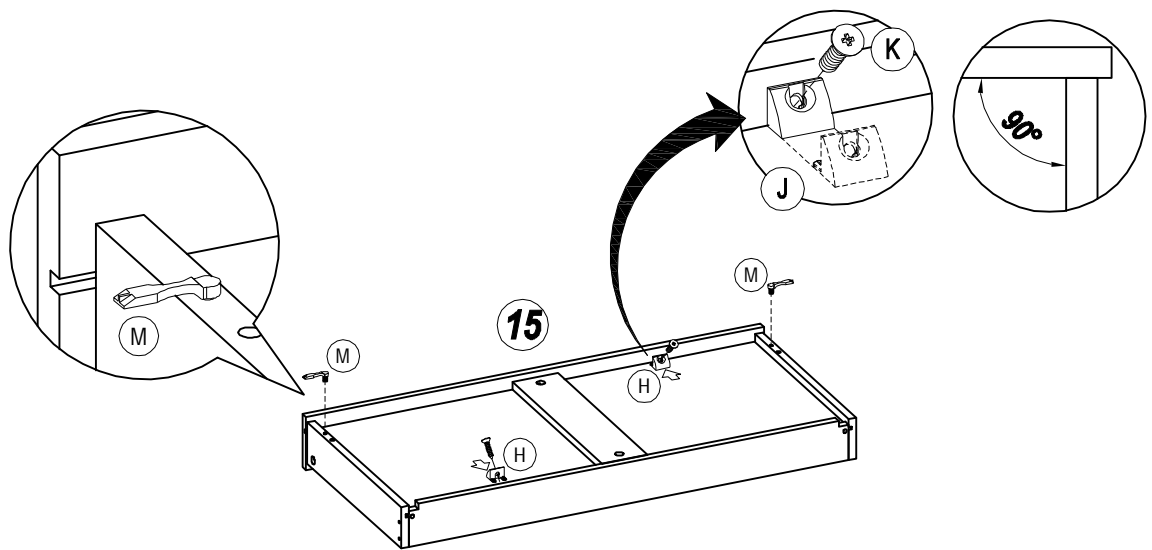
- | | | | | |
|--------------|--------------|--------------|--------------|--------------|
| A x 4 | B x 4 | D x 6 | F x 2 | G x 2 |
| | | | | |

12



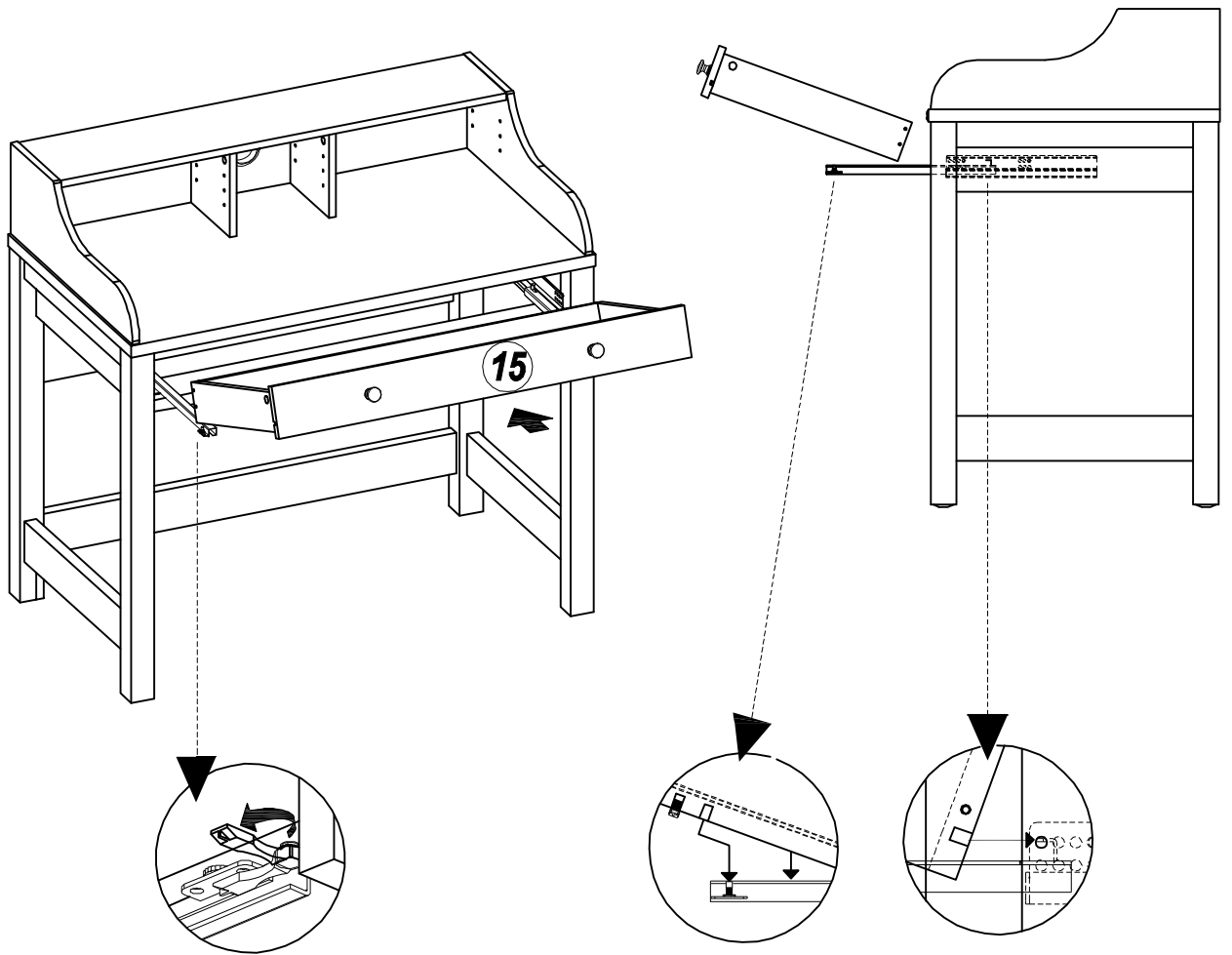
- | | |
|--------------|--------------|
| C x 4 | P x 4 |
| | |

13

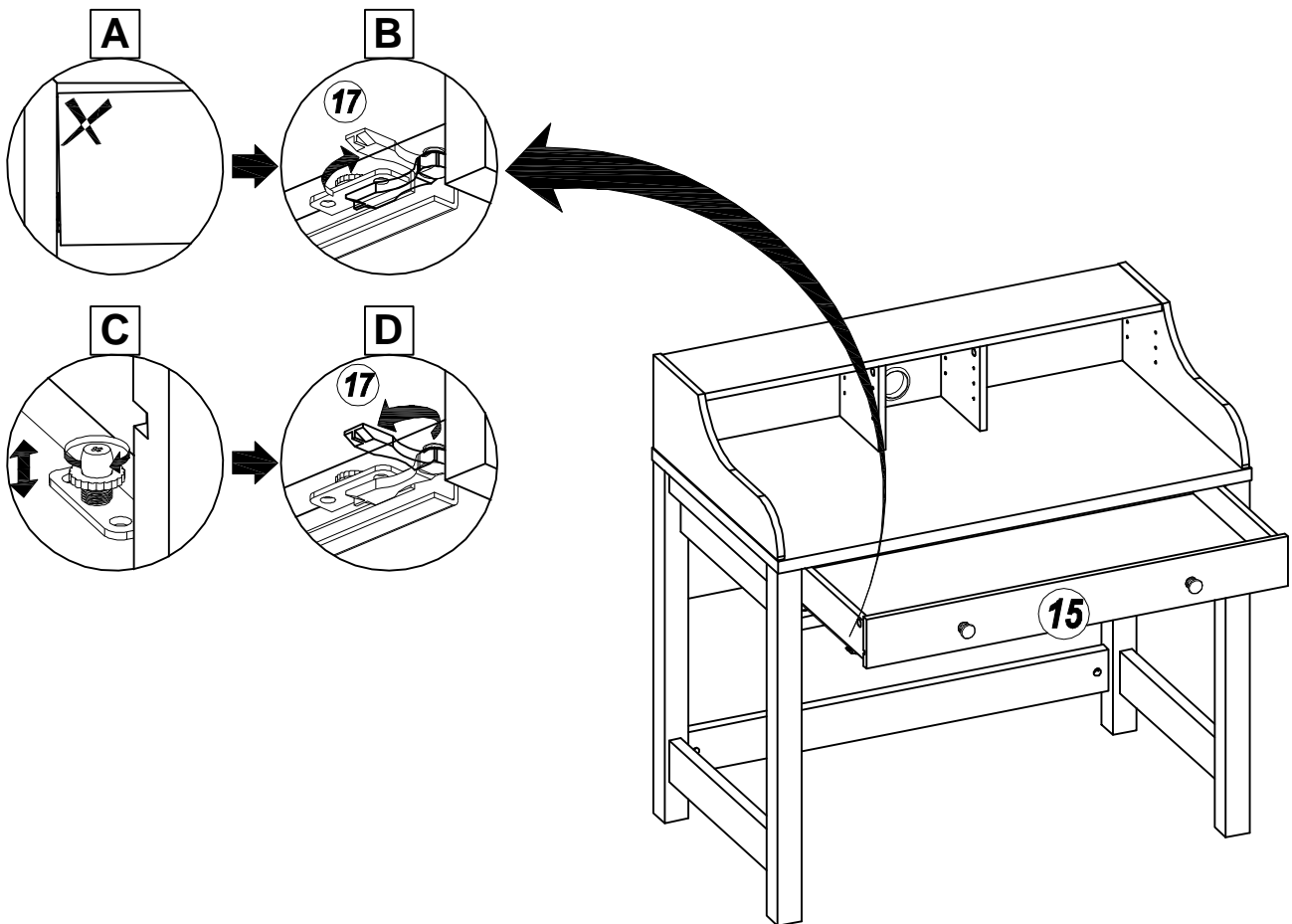


- | | | |
|--------------|--------------|--------------|
| J x 2 | K x 2 | M x 2 |
| | | |

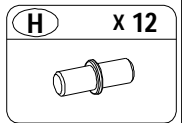
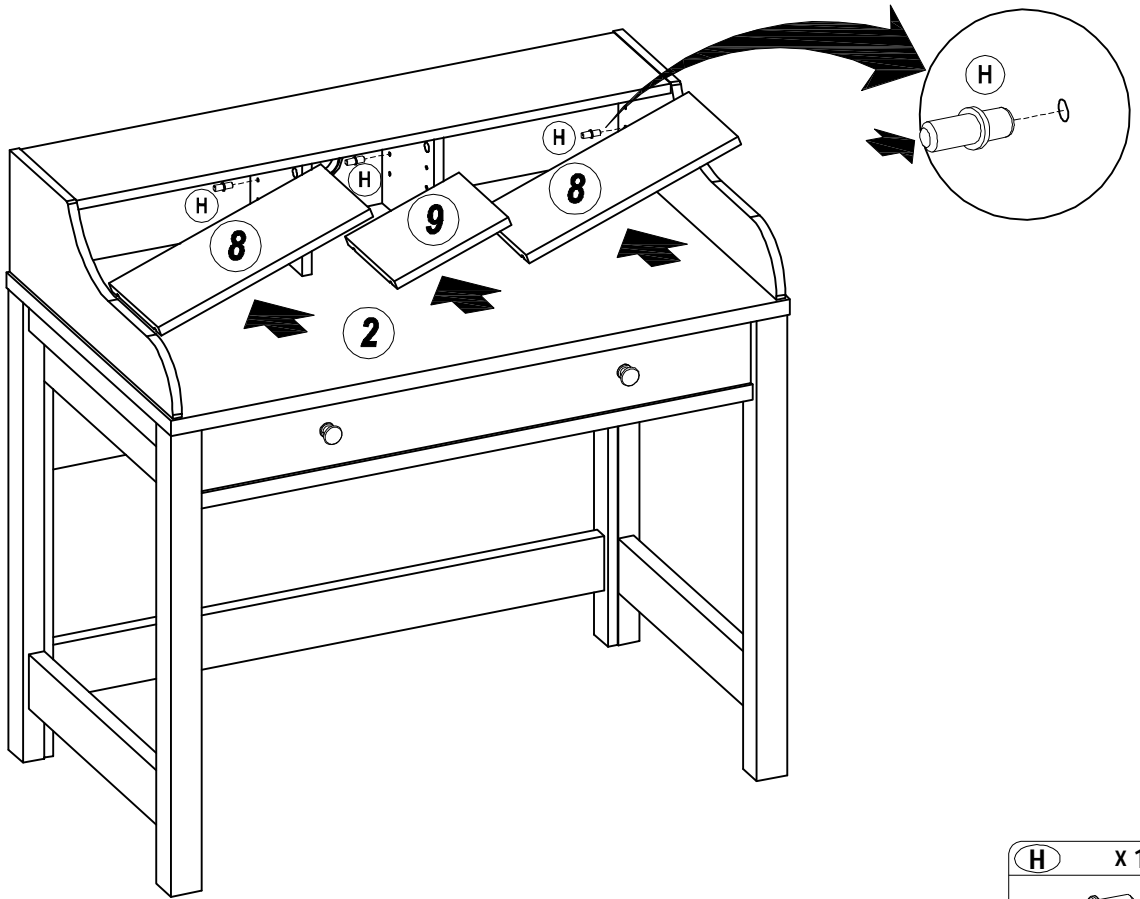
14



15



16



17

