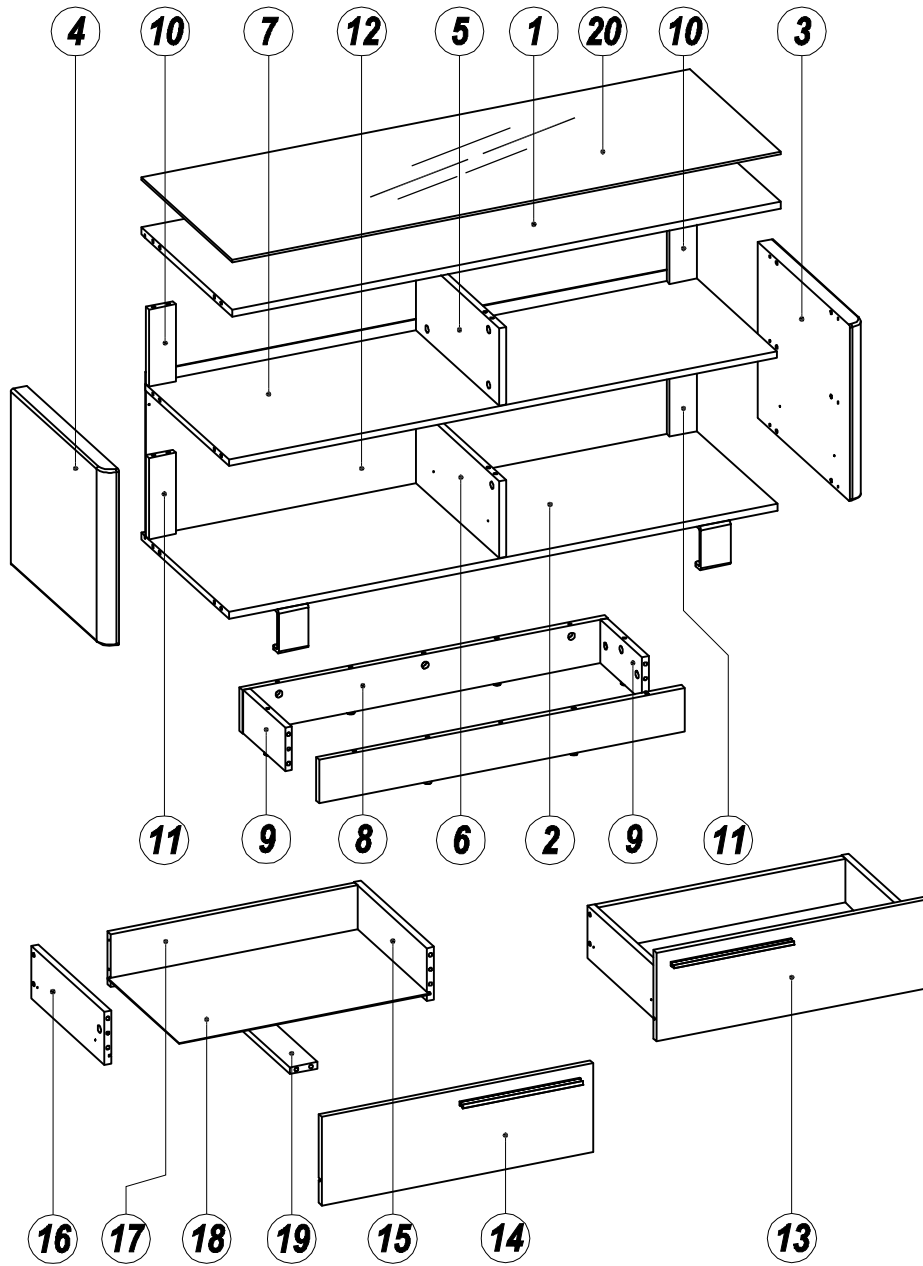
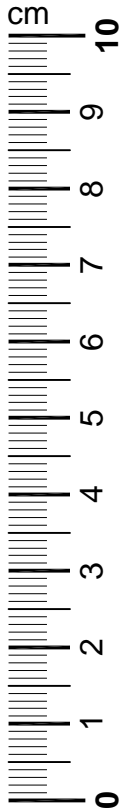
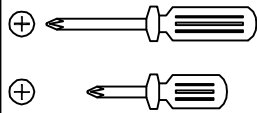
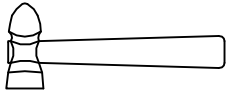
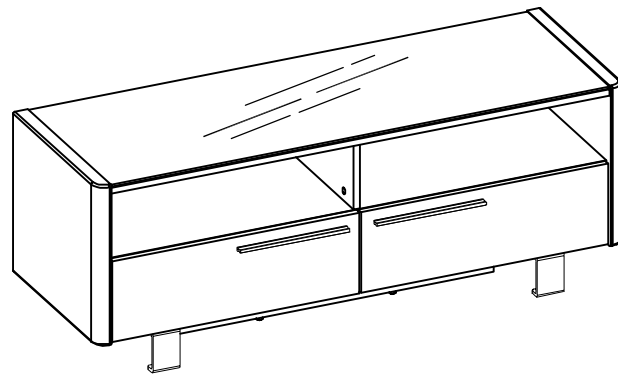
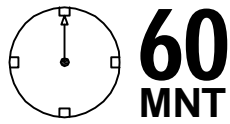
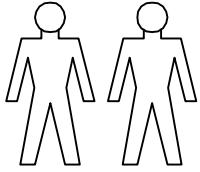
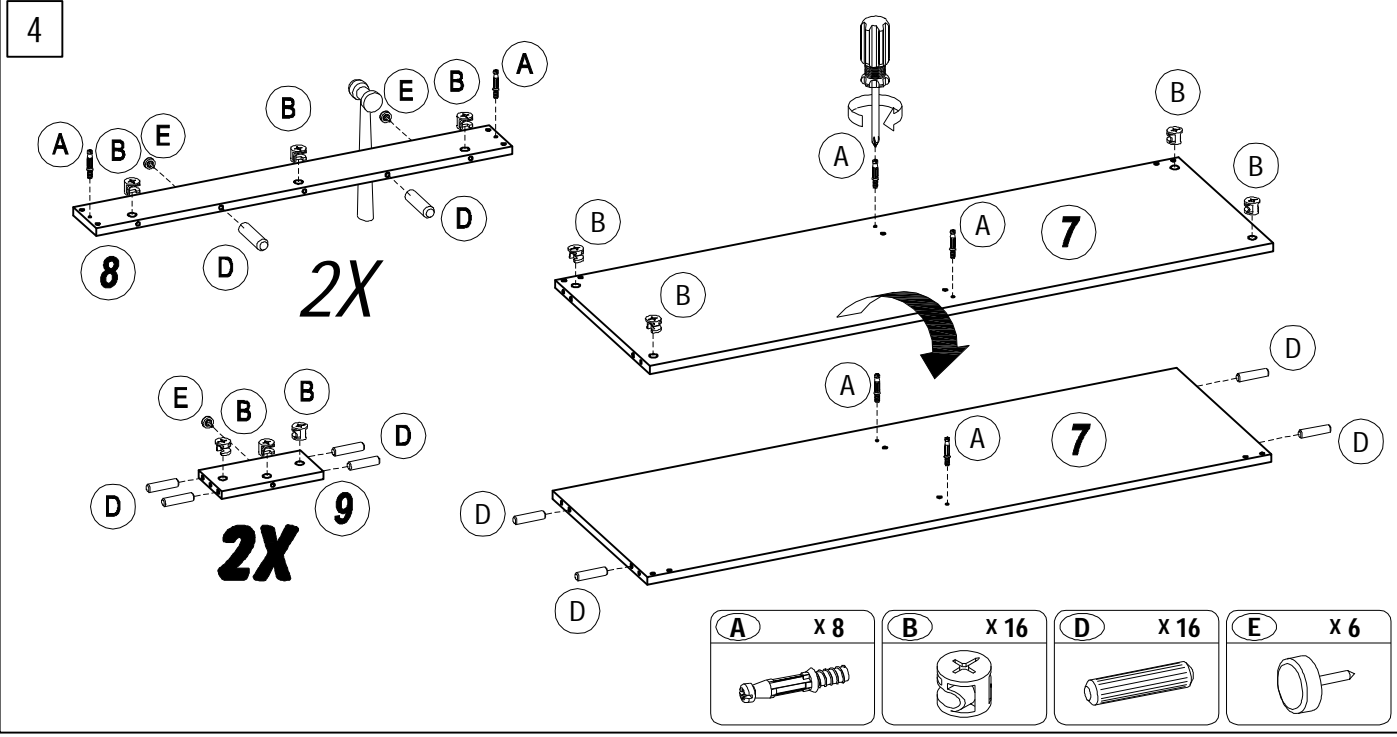
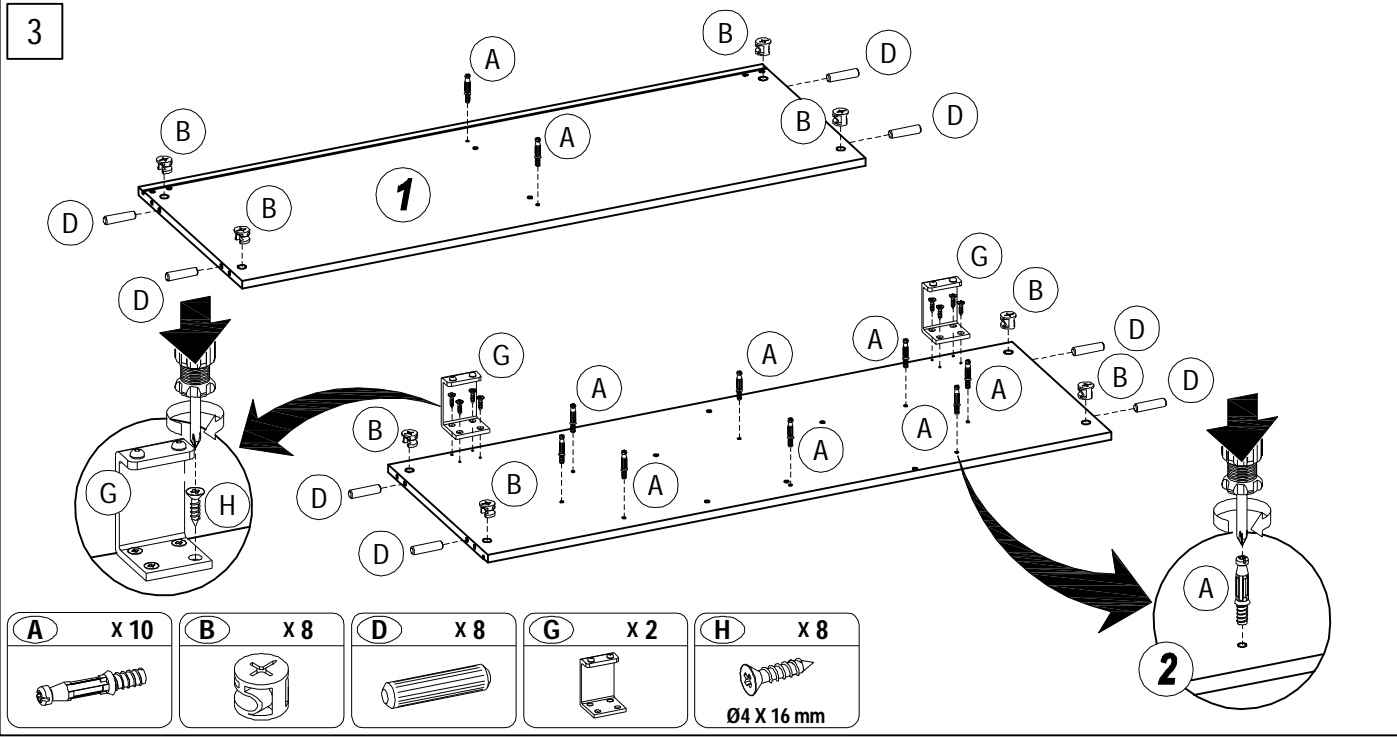
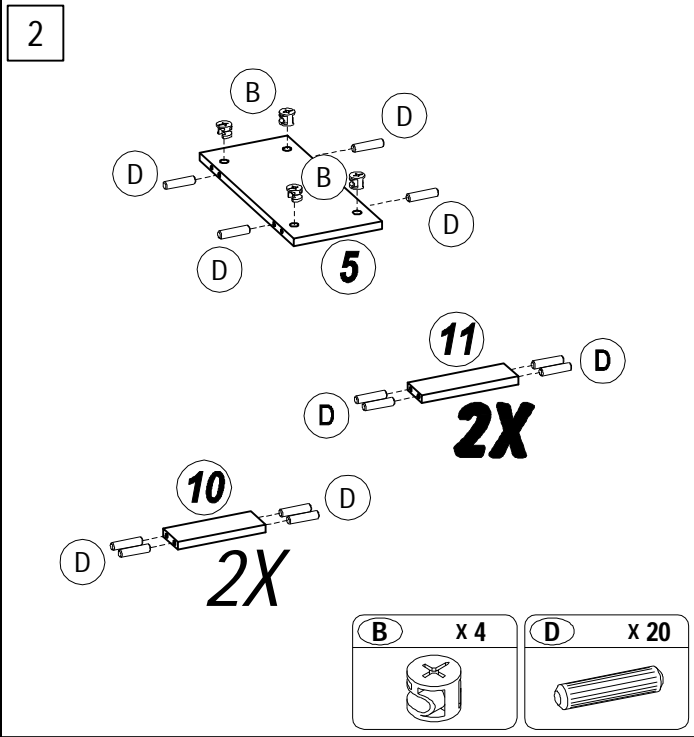
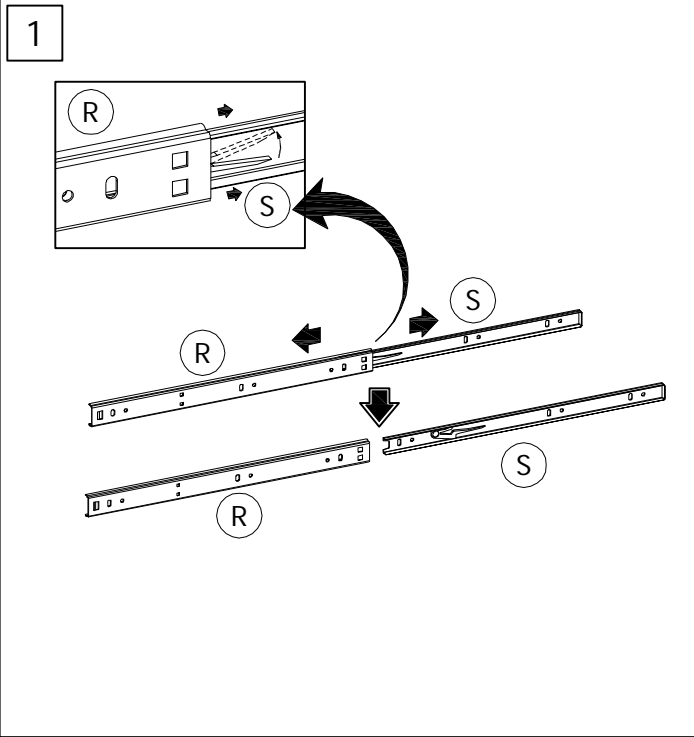
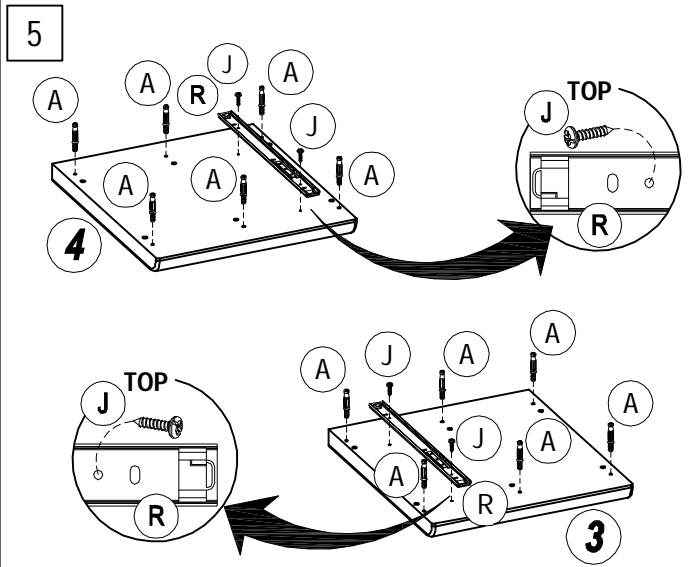


# JAMES 05 G

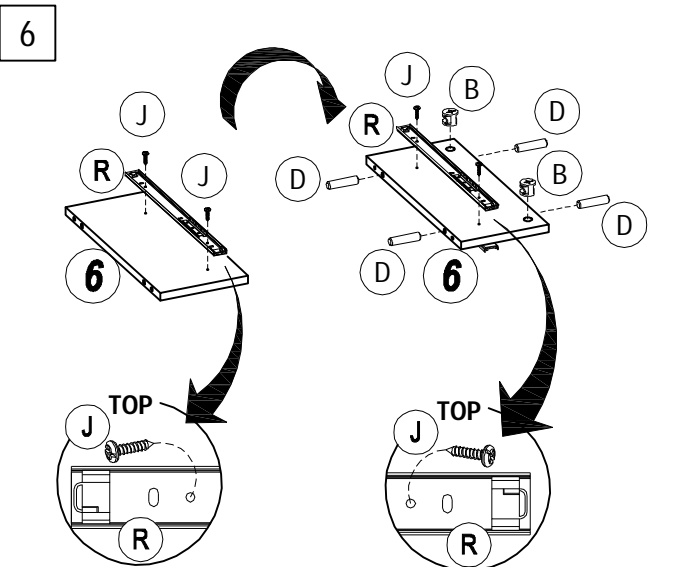


<b>A</b> x 34	<b>B</b> x 34	<b>C</b> x 34	<b>D</b> x 64							
				<b>E</b> x 6	<b>F</b> x 7	<b>G</b> x 2	<b>H</b> x 8	<b>J</b> x 20	<b>K</b> x 2	<b>L</b> x 8
								<b>M</b> x 10	<b>N</b> x 10	<b>P</b> x 4
					<b>Q</b> x 2	<b>R</b> x 2	<b>S</b> x 2	<b>T</b> x 11		

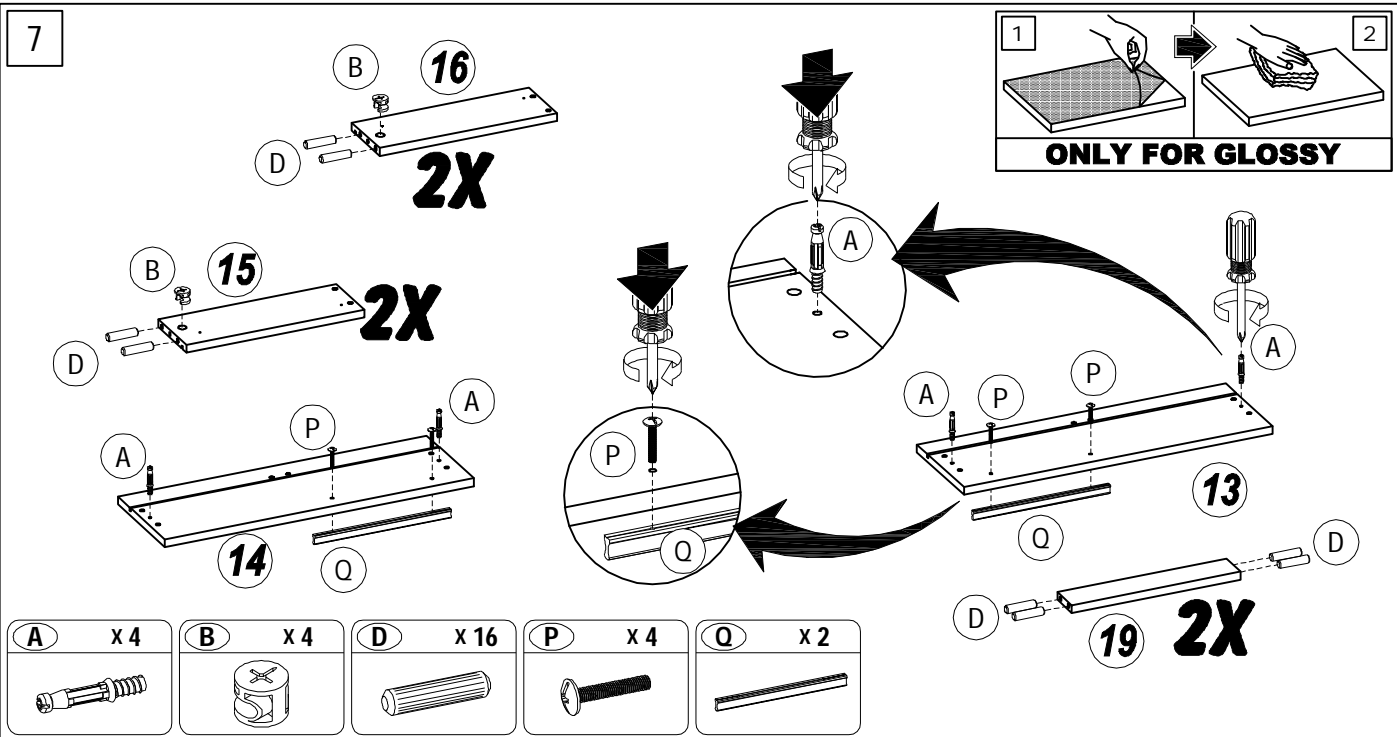




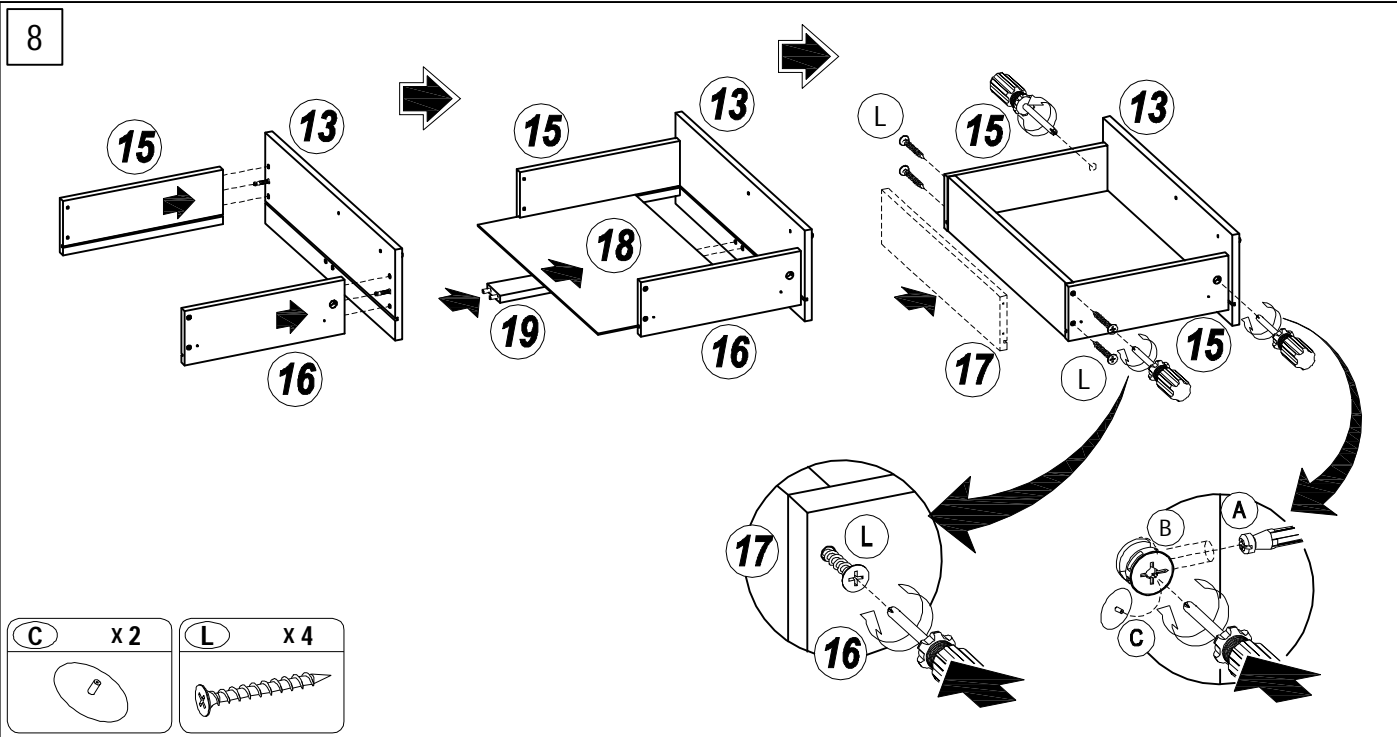
- |          |      |          |              |          |     |
|----------|------|----------|--------------|----------|-----|
| <b>A</b> | x 12 | <b>J</b> | x 4          | <b>R</b> | x 1 |
|          |      |          |              |          |     |
|          |      |          | Ø3.5 X 12 mm |          |     |



- |          |     |          |     |          |              |          |     |
|----------|-----|----------|-----|----------|--------------|----------|-----|
| <b>B</b> | x 2 | <b>D</b> | x 4 | <b>J</b> | x 4          | <b>R</b> | x 1 |
|          |     |          |     |          |              |          |     |
|          |     |          |     |          | Ø3.5 X 12 mm |          |     |

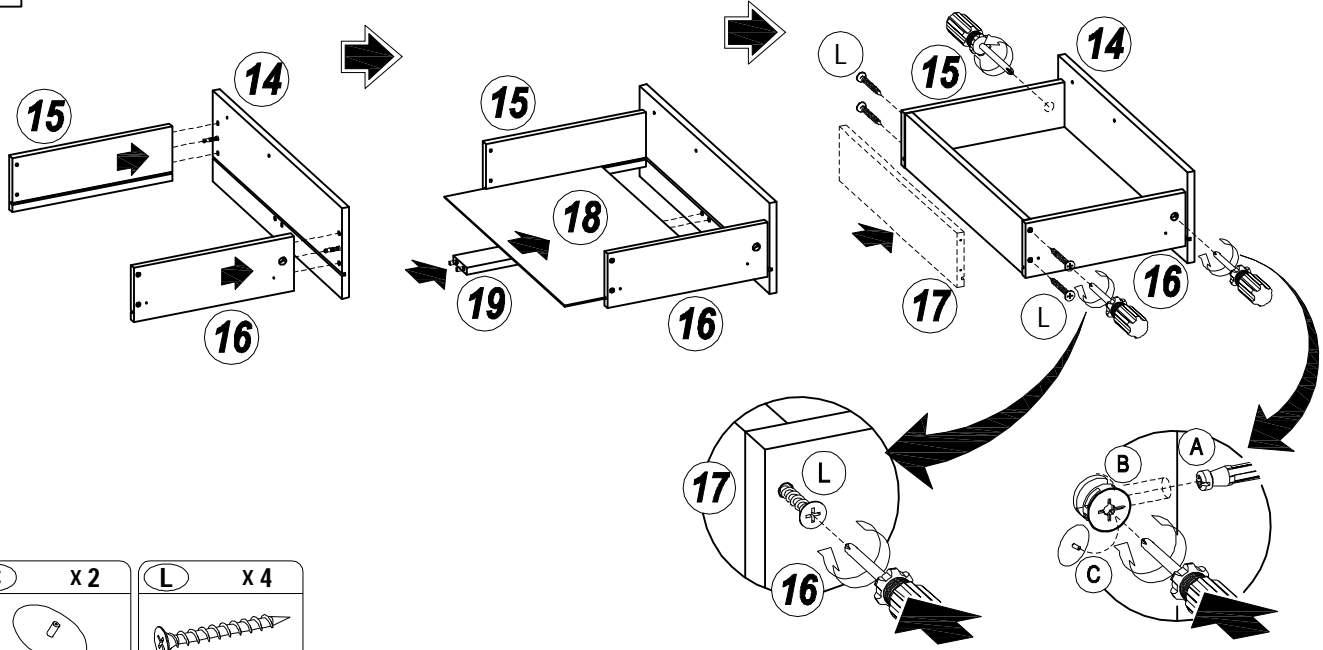


- |          |     |          |     |          |      |          |     |          |     |
|----------|-----|----------|-----|----------|------|----------|-----|----------|-----|
| <b>A</b> | x 4 | <b>B</b> | x 4 | <b>D</b> | x 16 | <b>P</b> | x 4 | <b>Q</b> | x 2 |
|          |     |          |     |          |      |          |     |          |     |



- |          |     |          |     |
|----------|-----|----------|-----|
| <b>C</b> | x 2 | <b>L</b> | x 4 |
|          |     |          |     |

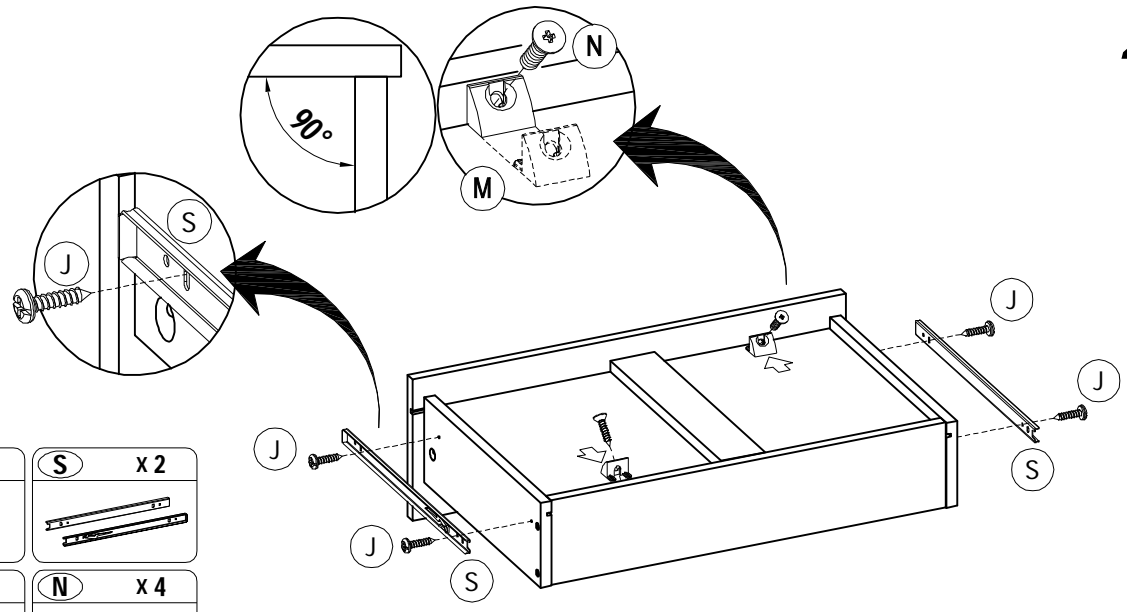
9



- |          |     |          |     |
|----------|-----|----------|-----|
| <b>C</b> | x 2 | <b>L</b> | x 4 |
|          |     |          |     |

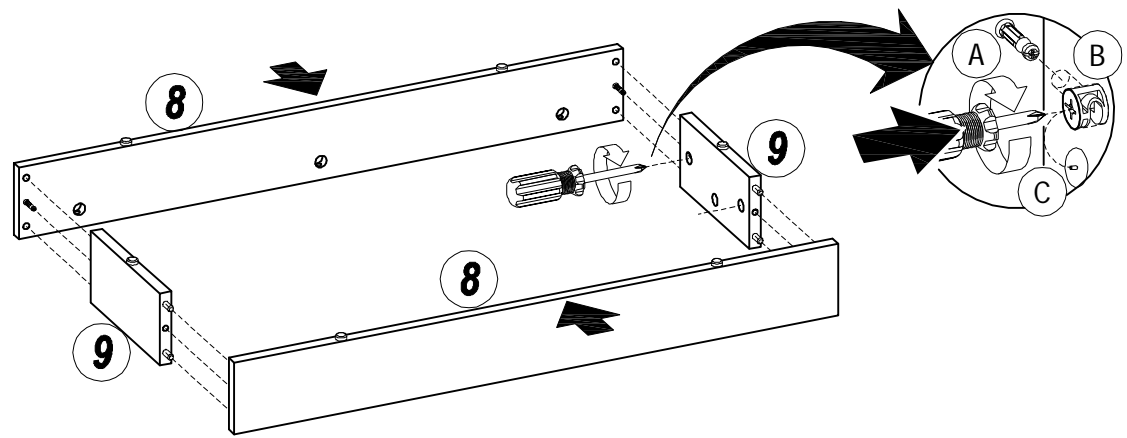
10

2X



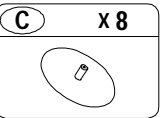
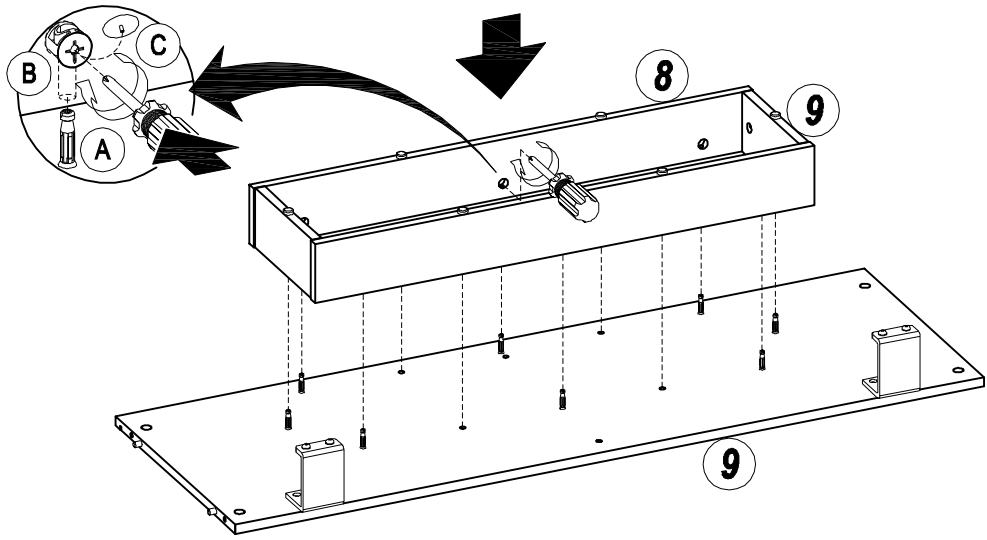
- |          |              |          |              |
|----------|--------------|----------|--------------|
| <b>J</b> | x 8          | <b>S</b> | x 2          |
|          | Ø3.5 X 12 mm |          |              |
| <b>M</b> | x 4          | <b>N</b> | x 4          |
|          |              |          | Ø3.5 X 19 mm |

11

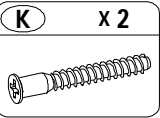
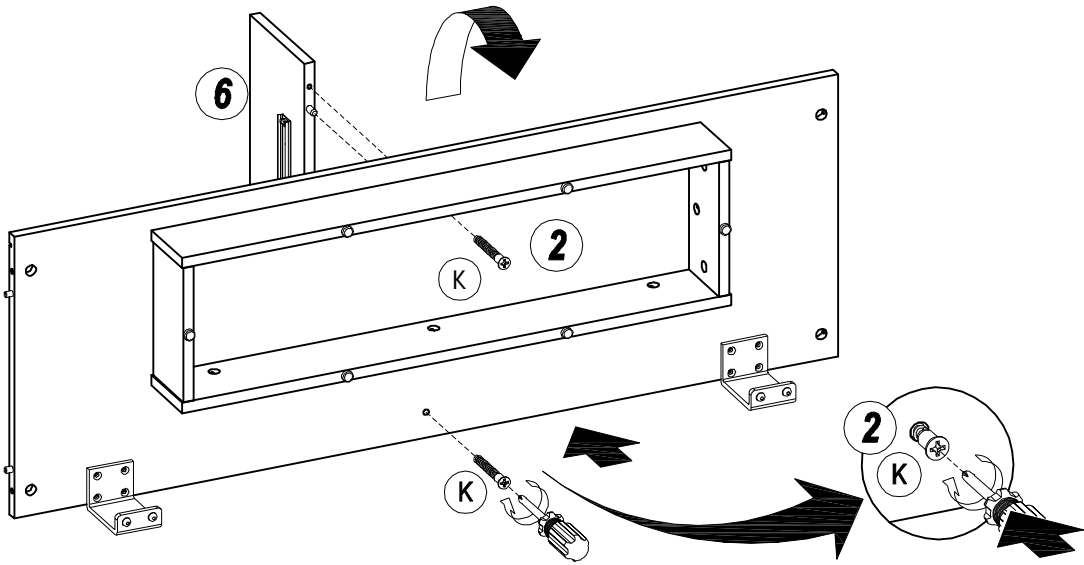


- |          |     |
|----------|-----|
| <b>C</b> | x 4 |
|          |     |

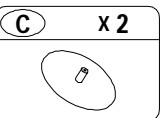
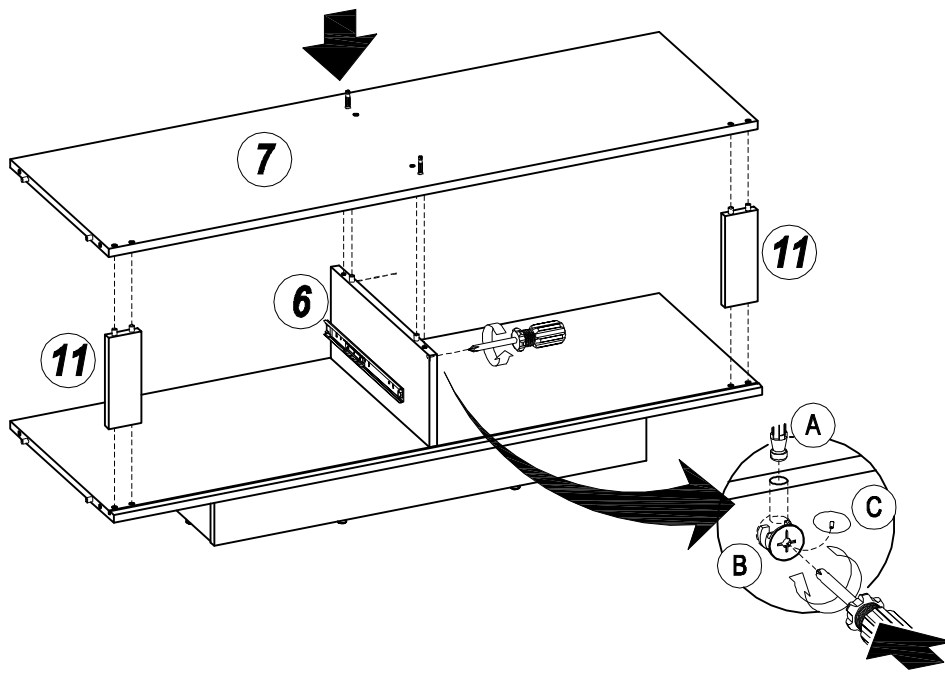
12



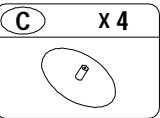
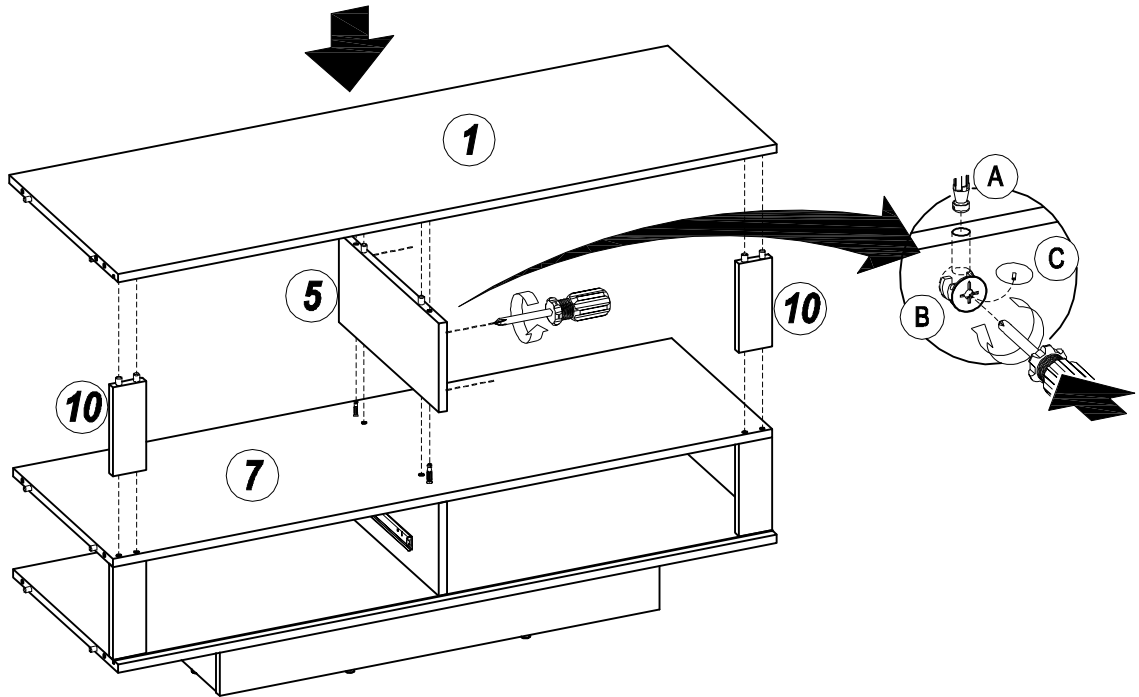
13



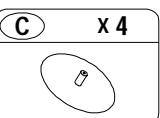
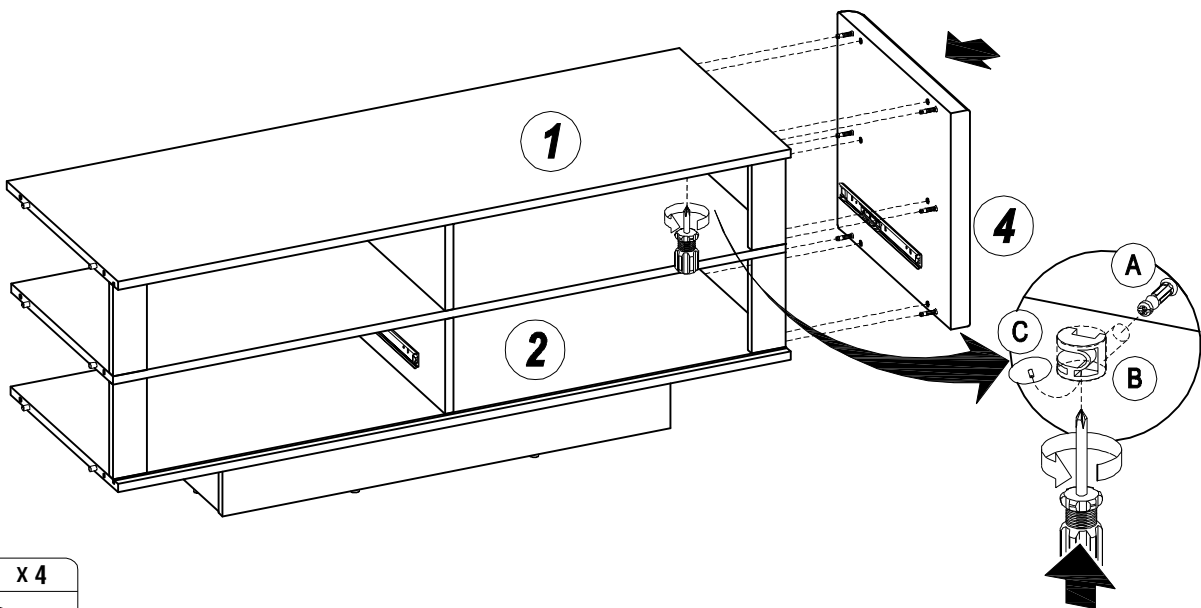
14



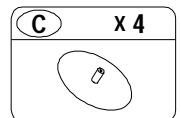
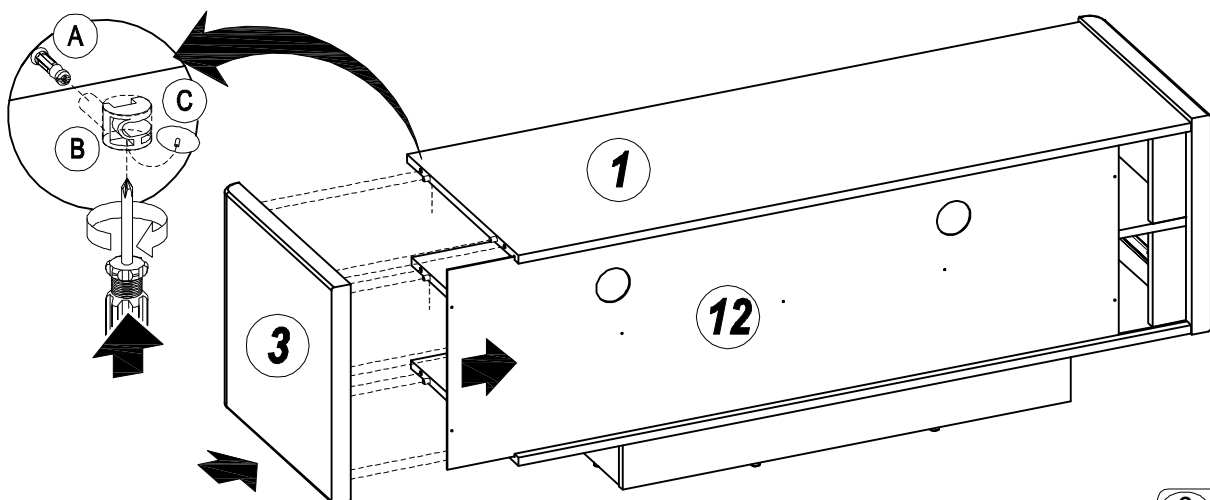
15



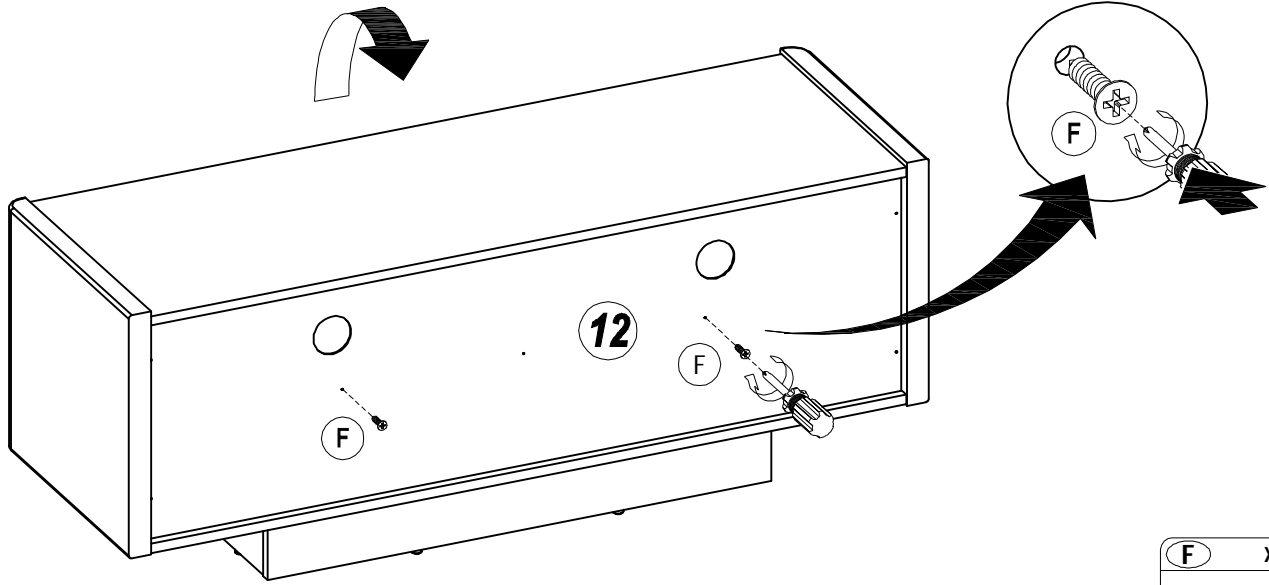
16




17

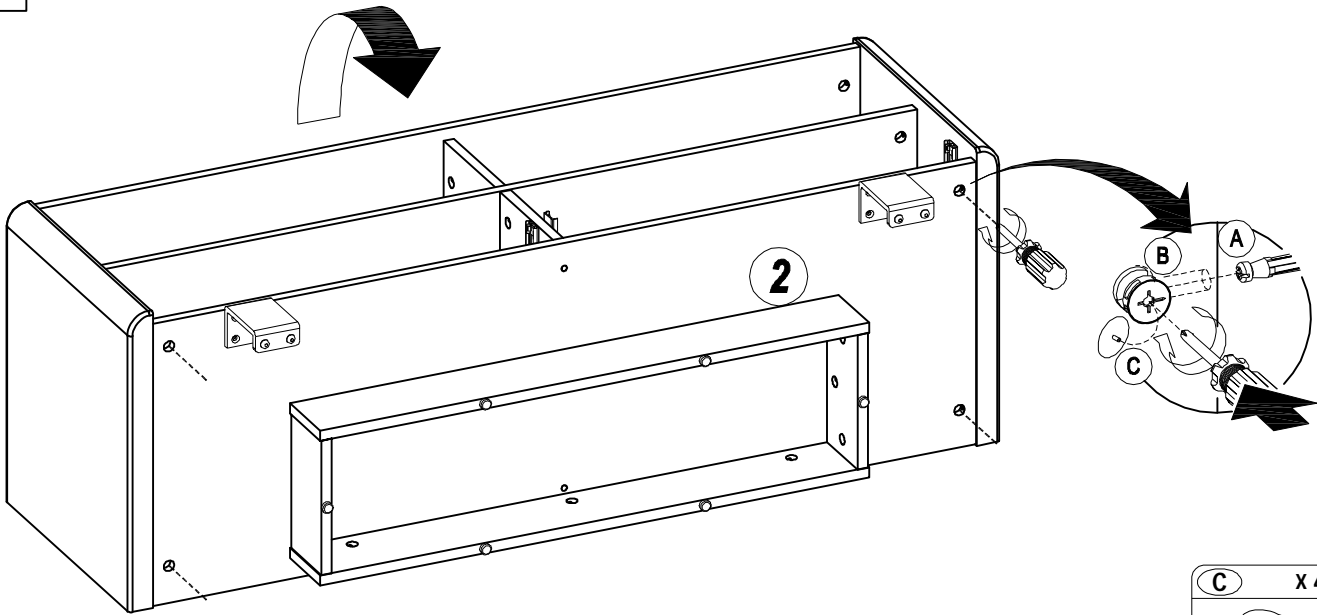



18



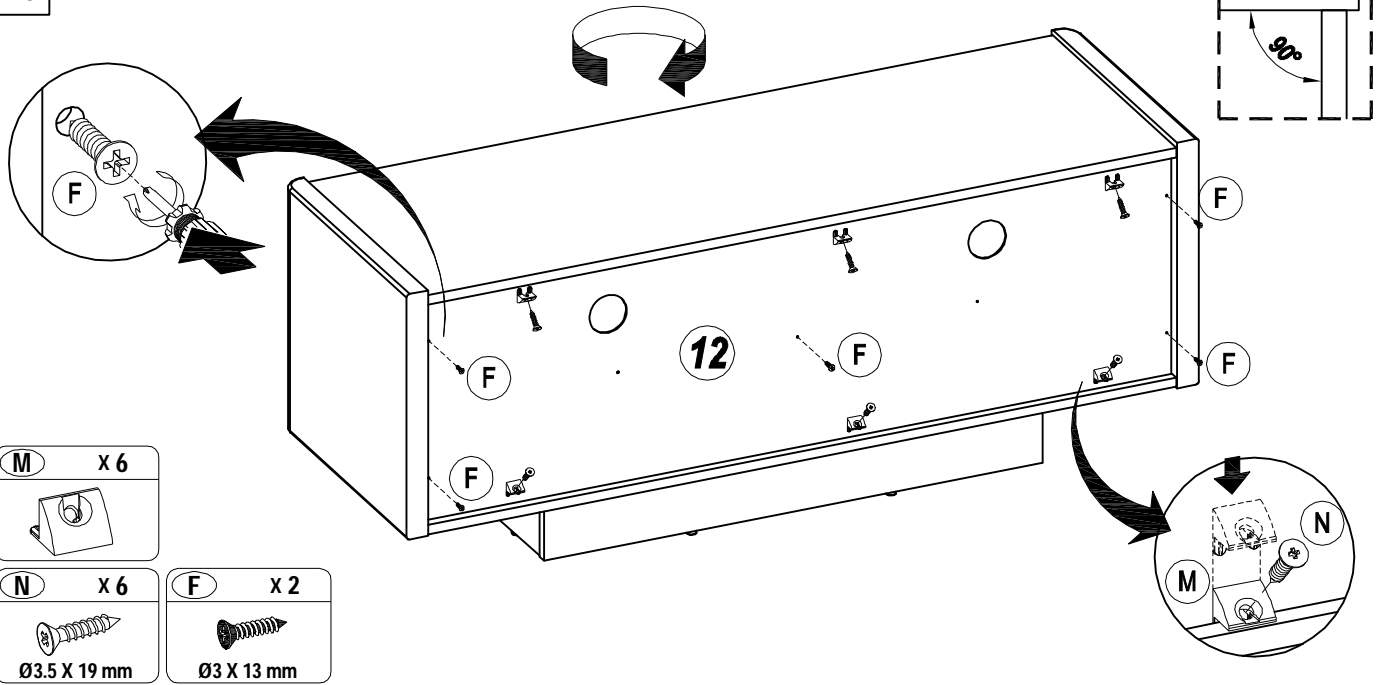
<b>F</b>	x 2
	
Ø3 X 13 mm	


19





<b>C</b>	x 4
	

20

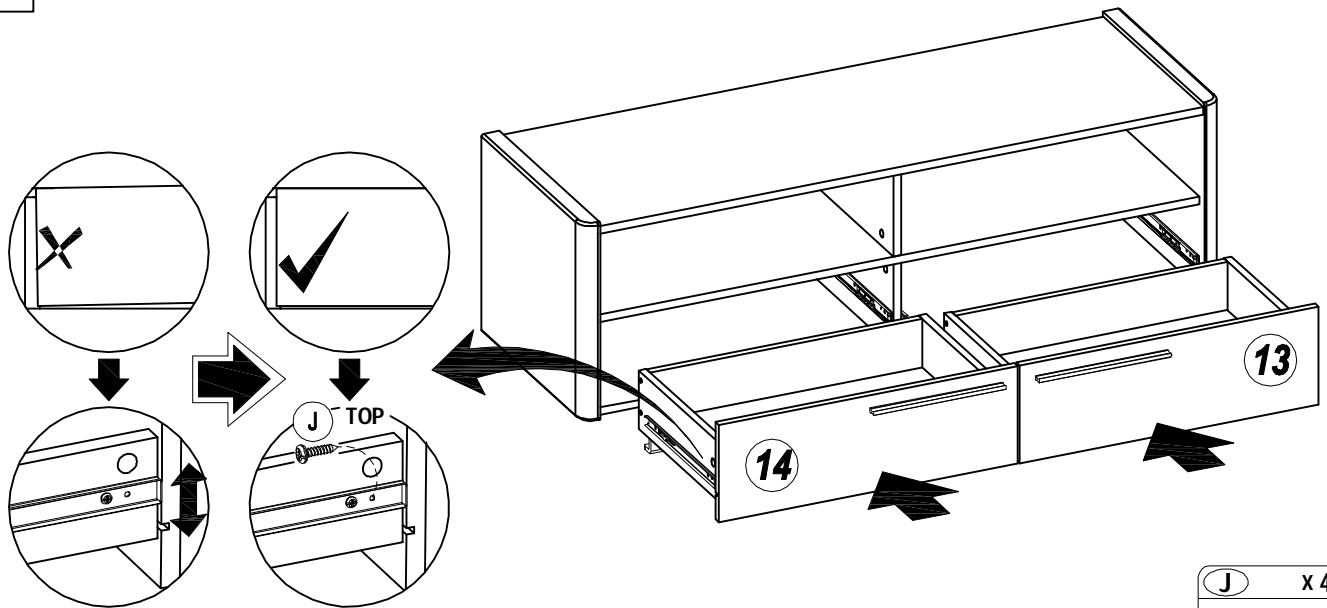


<b>M</b>	x 6
	

<b>N</b>	x 6
	
Ø3.5 X 19 mm	

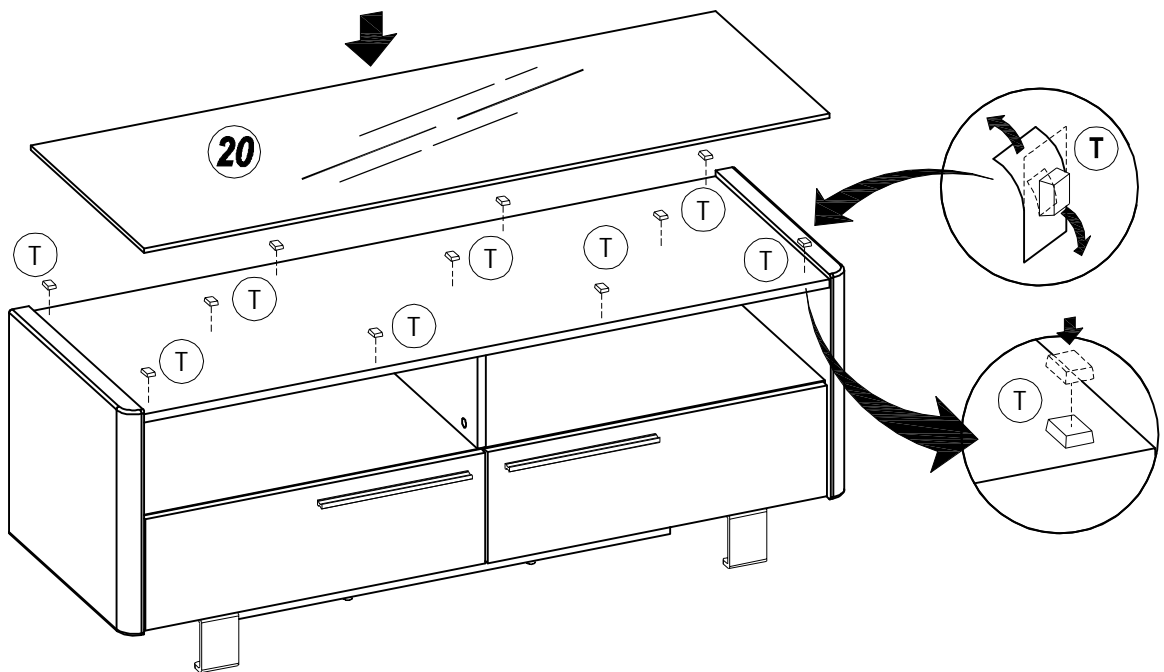
<b>F</b>	x 2
	
Ø3 X 13 mm	

21



J x 4  
Ø3.5 X 12 mm

22



T x 11

23

