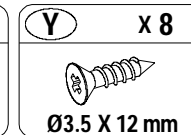
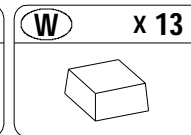
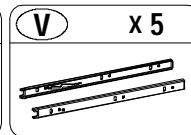
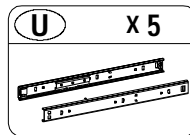
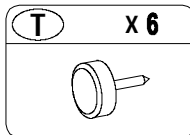
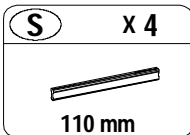
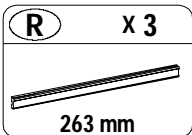
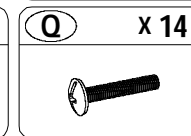
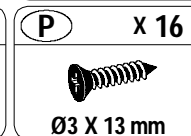
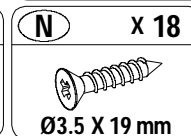
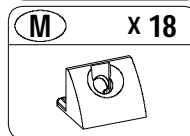
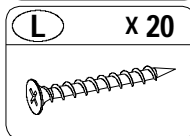
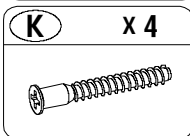
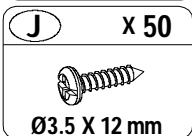
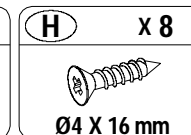
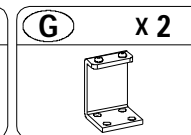
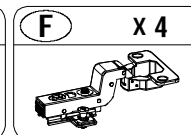
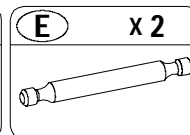
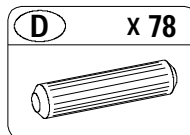
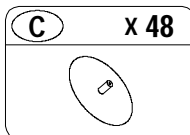
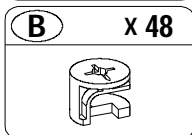
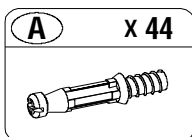
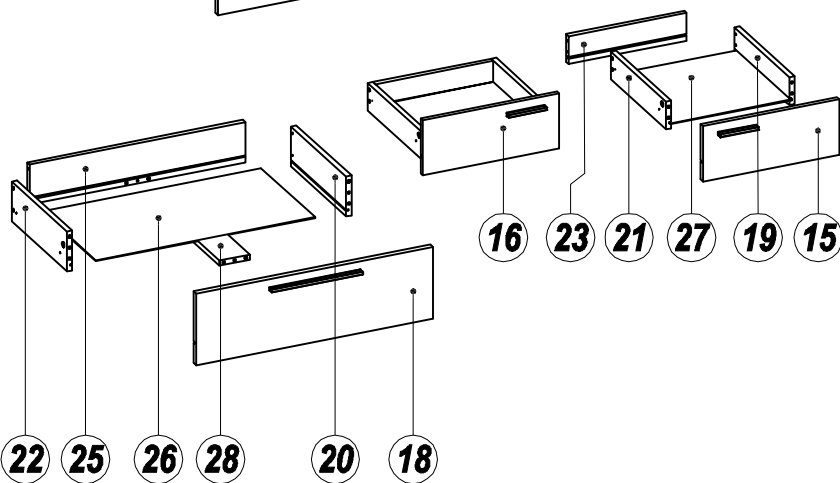
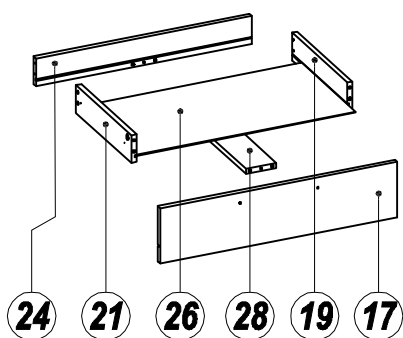
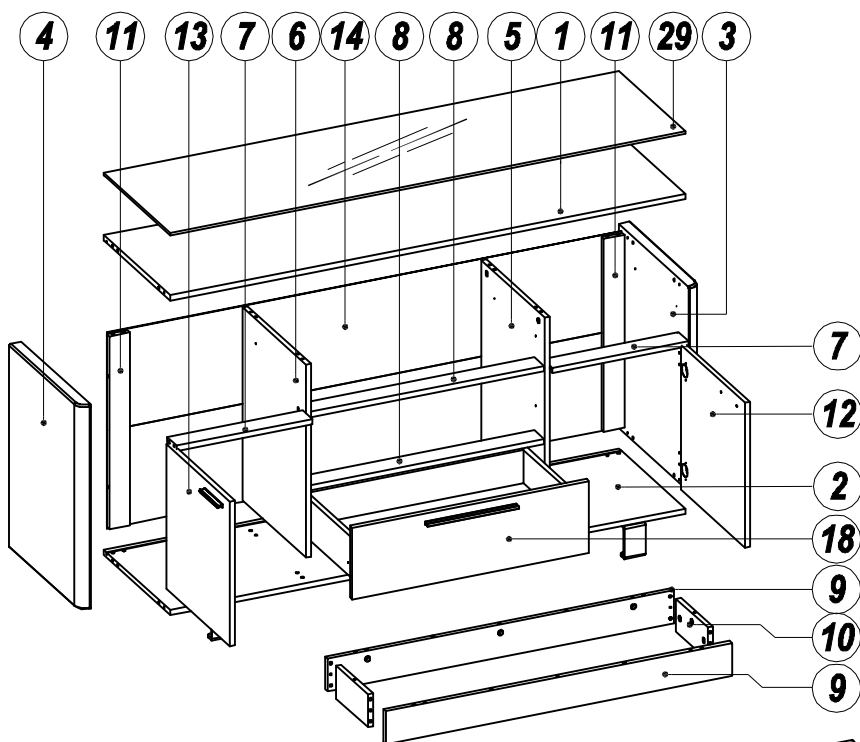
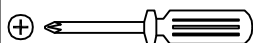
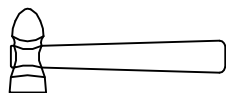
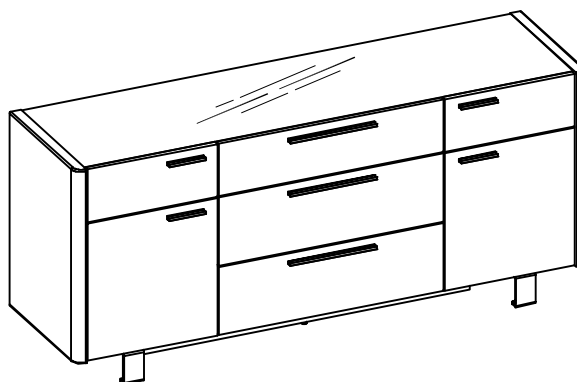
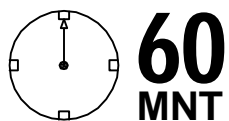
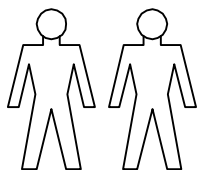
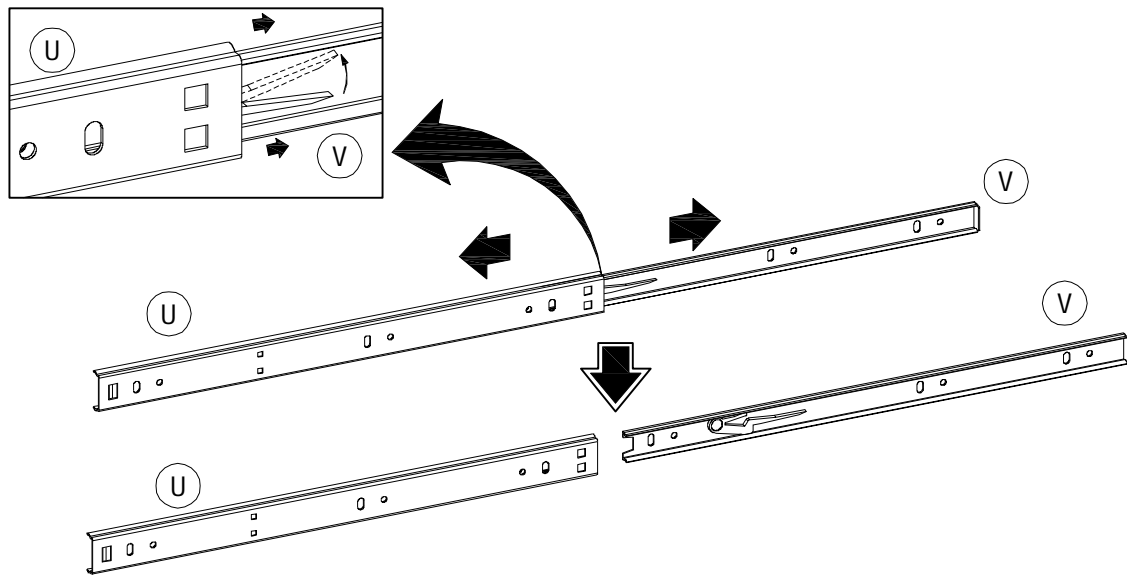


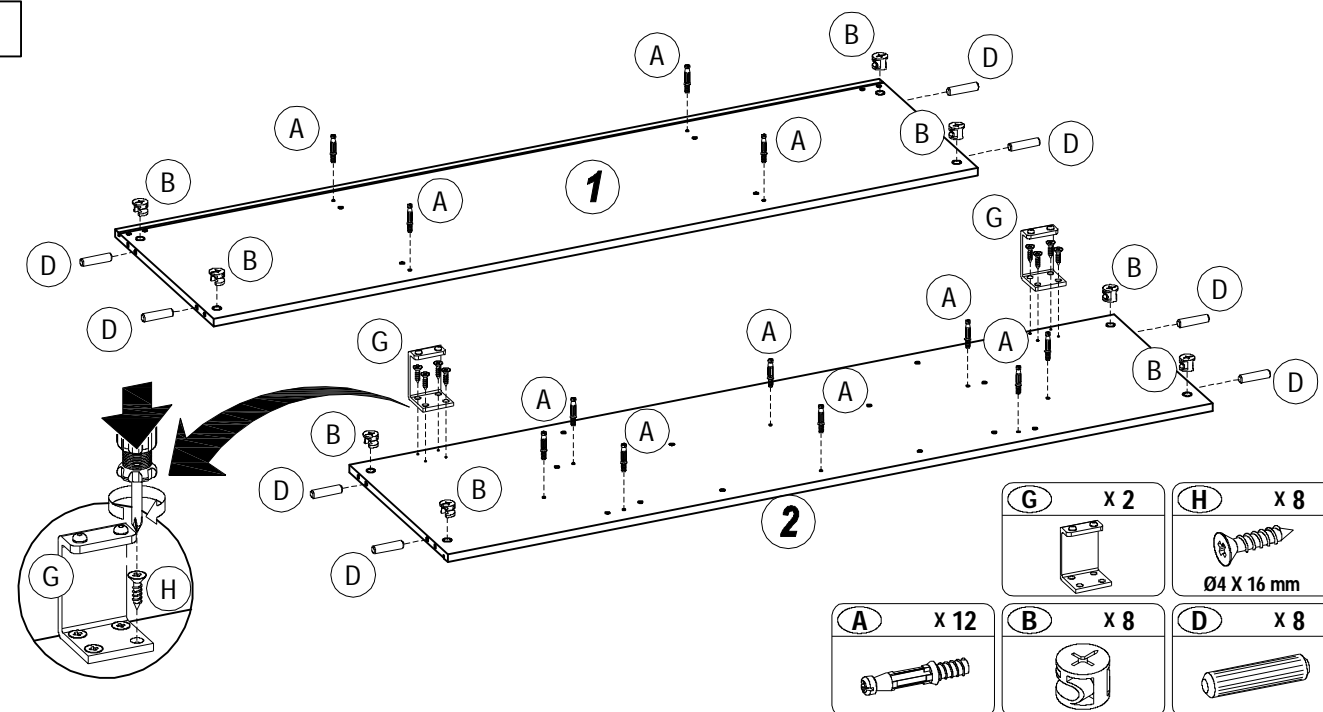
JAMES 02 G



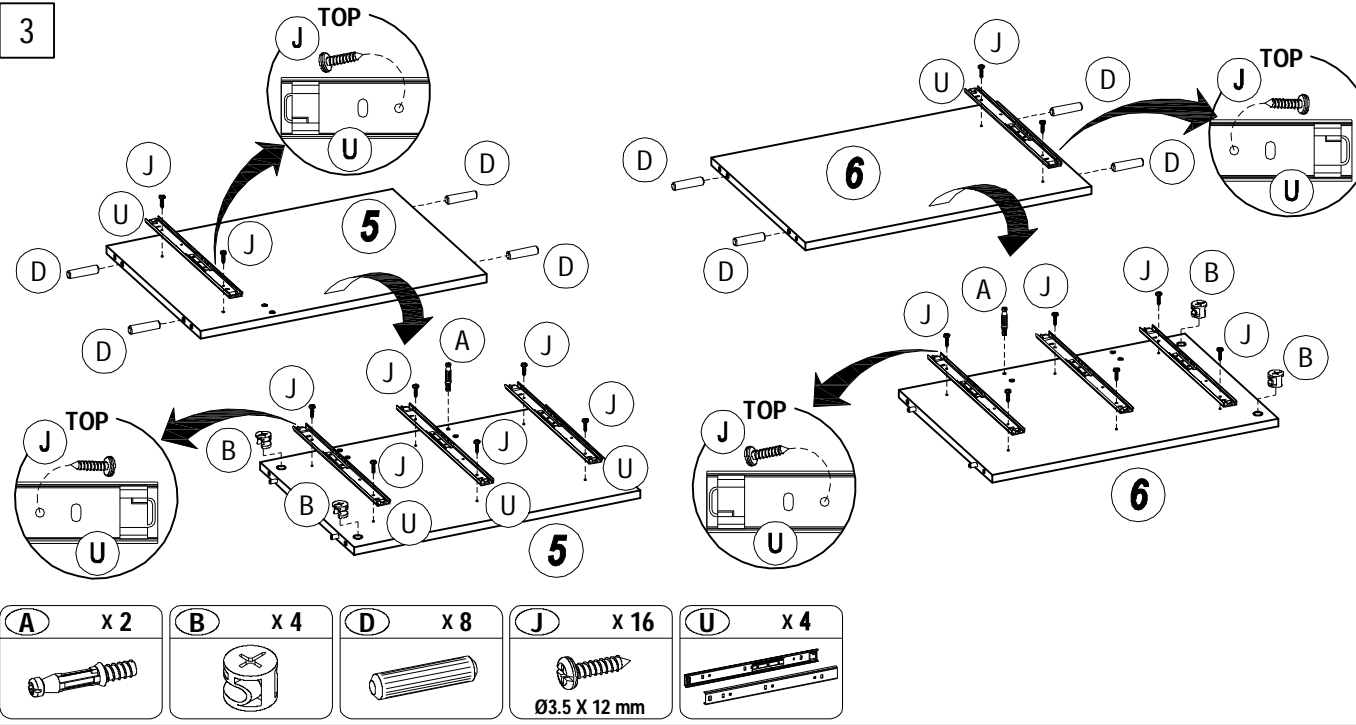
1



2



3



4

A x 10 **F** x 4 **J** x 4 **U** x 1

Ø3.5 X 12 mm

5

2X

B x 8 **D** x 20

6

2X

A x 4 **B** x 12 **D** x 16 **T** x 6

7

1 **2**
ONLY FOR GLOSSY

F x 4 **Q** x 4 **S** x 2 **Y** x 8

110 mm Ø3.5 X 12 mm

8

21

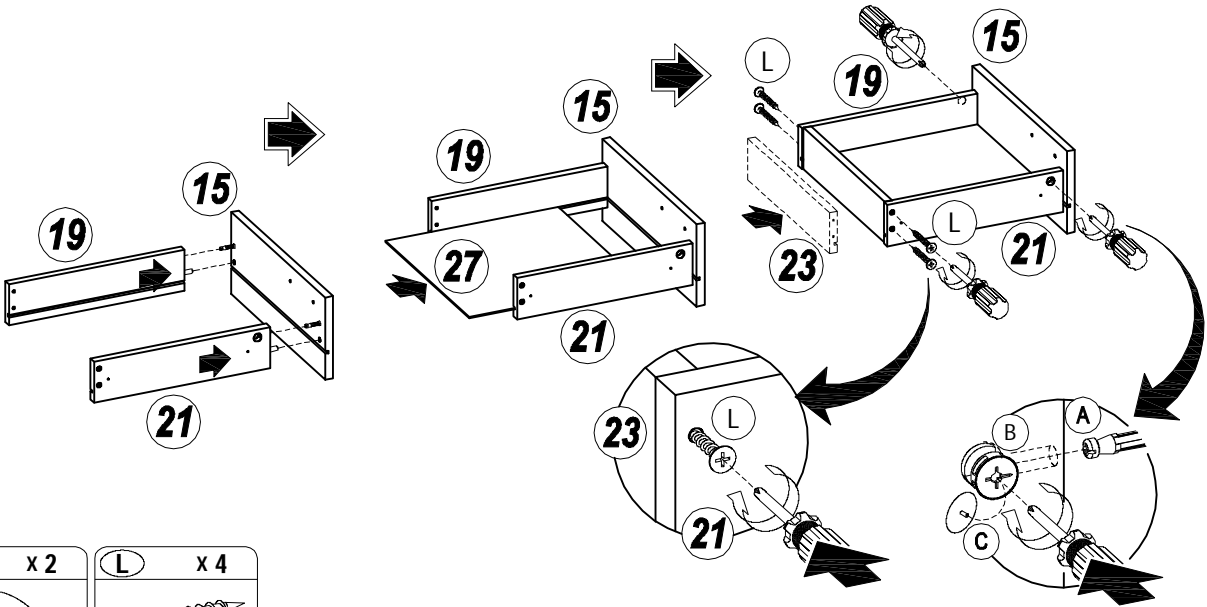
2X

1 **2**
ONLY FOR GLOSSY

A x 4 **B** x 4 **D** x 4 **Q** x 4 **S** x 2

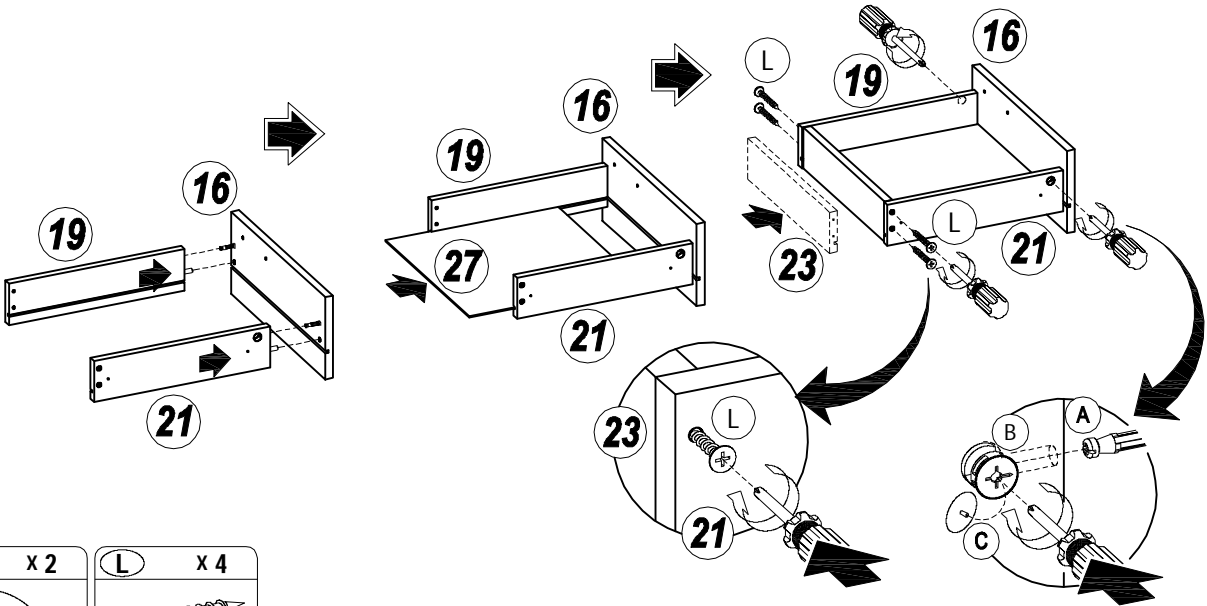
110 mm

9



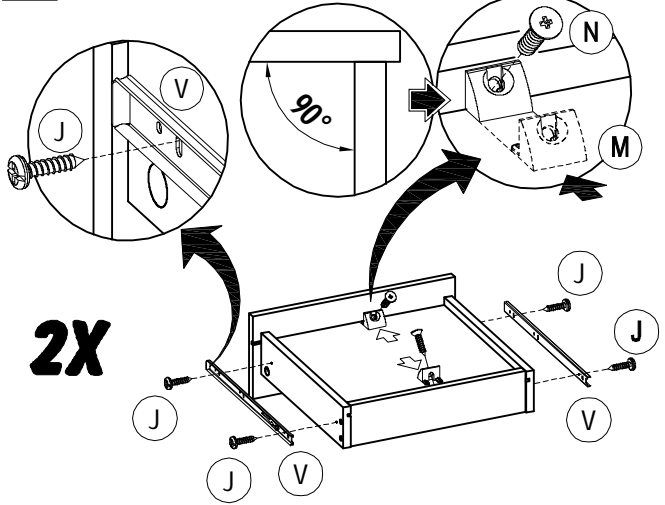
- | | | | |
|---|-----|---|-----|
| C | x 2 | L | x 4 |
| | | | |

10



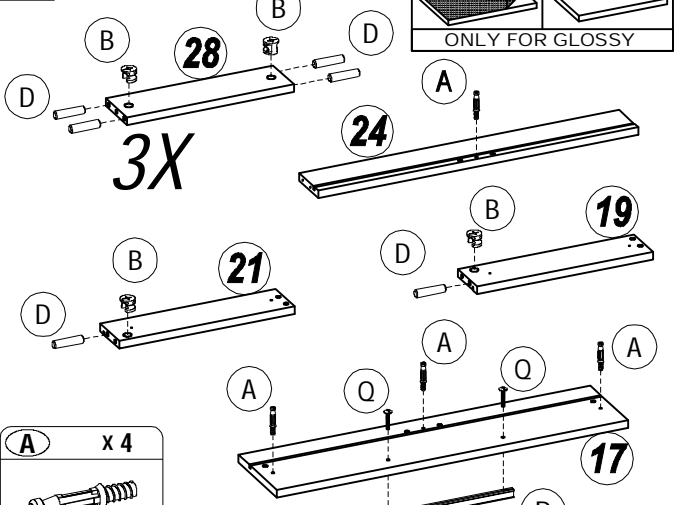
- | | | | |
|---|-----|---|-----|
| C | x 2 | L | x 4 |
| | | | |

11



- | | | | | | | | |
|--------------|-----|---|-----|--------------|-----|---|-----|
| J | x 8 | M | x 4 | N | x 4 | V | x 2 |
| | | | | | | | |
| Ø3.5 X 12 mm | | | | Ø3.5 X 19 mm | | | |

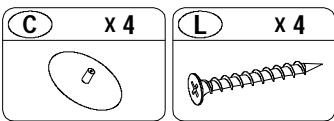
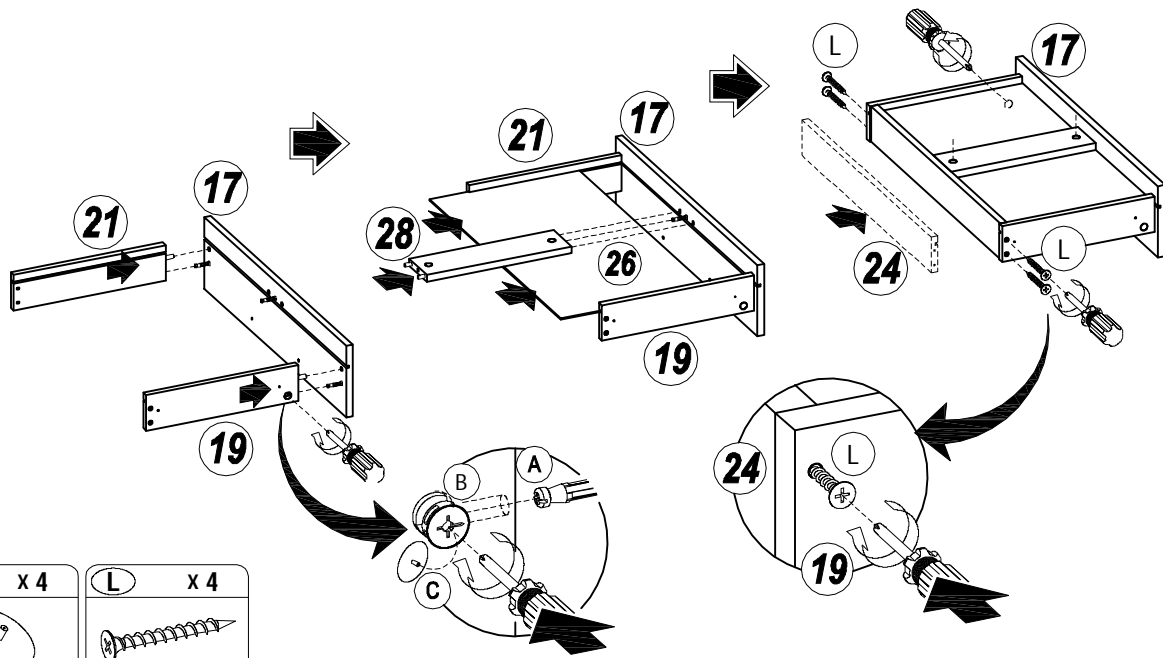
12



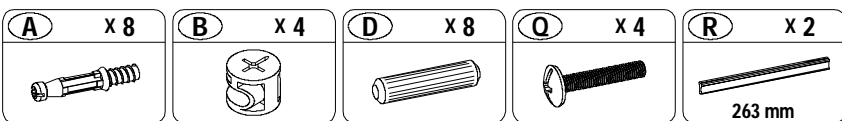
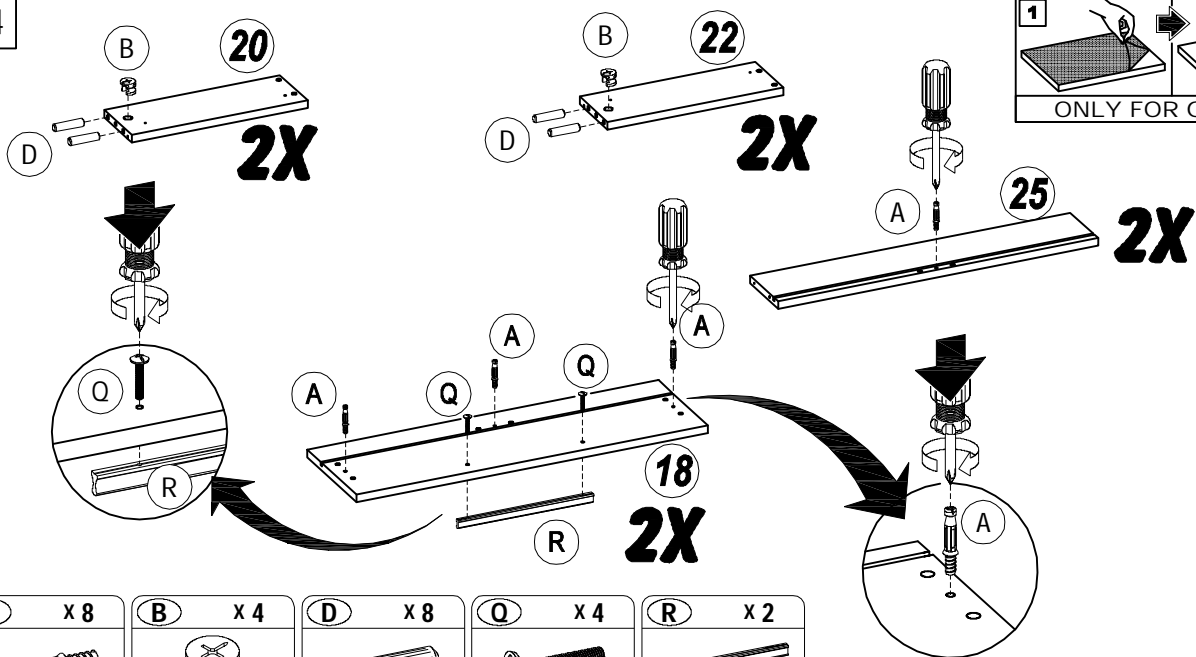
- | | | | | | | | | | |
|---|-----|---|-----|---|------|---|-----|--------|-----|
| A | x 4 | B | x 8 | D | x 14 | Q | x 2 | R | x 1 |
| | | | | | | | | | |
| | | | | | | | | 263 mm | |

1 2
ONLY FOR GLOSSY

13

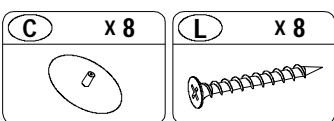
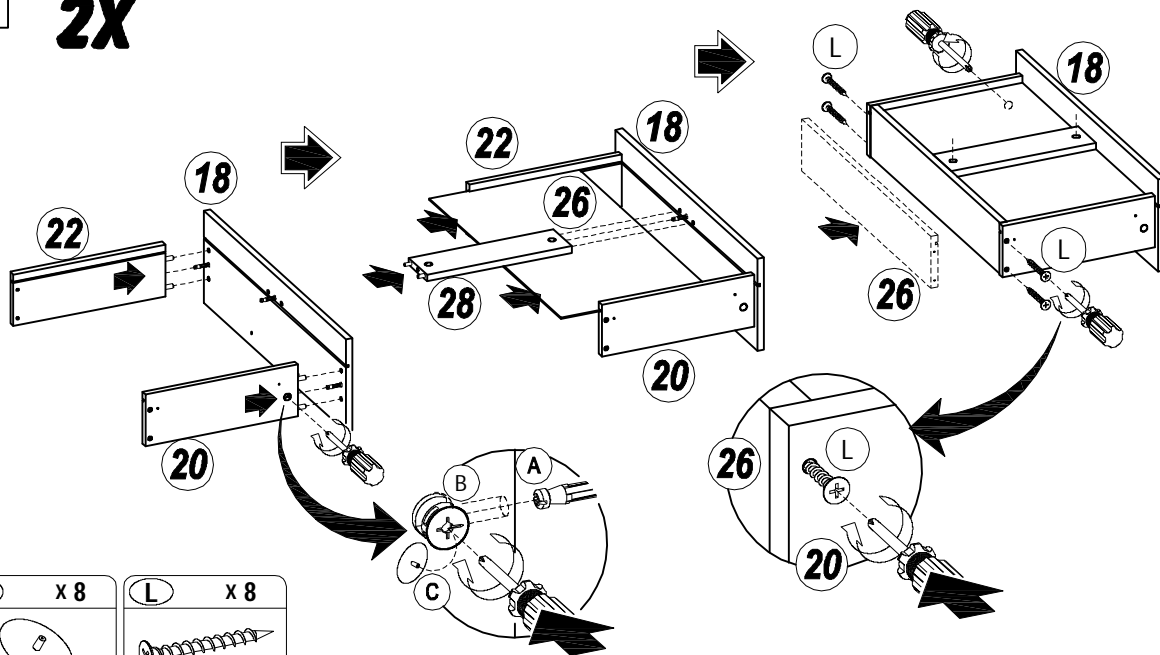


14

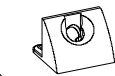
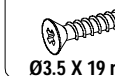
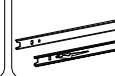


15

2X



16 **3X**

J x 12 **M** x 6 **N** x 6 **V** x 3
 Ø3.5 X 12 mm   

17

C x 4 **E** x 2

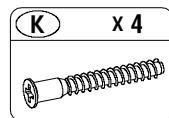
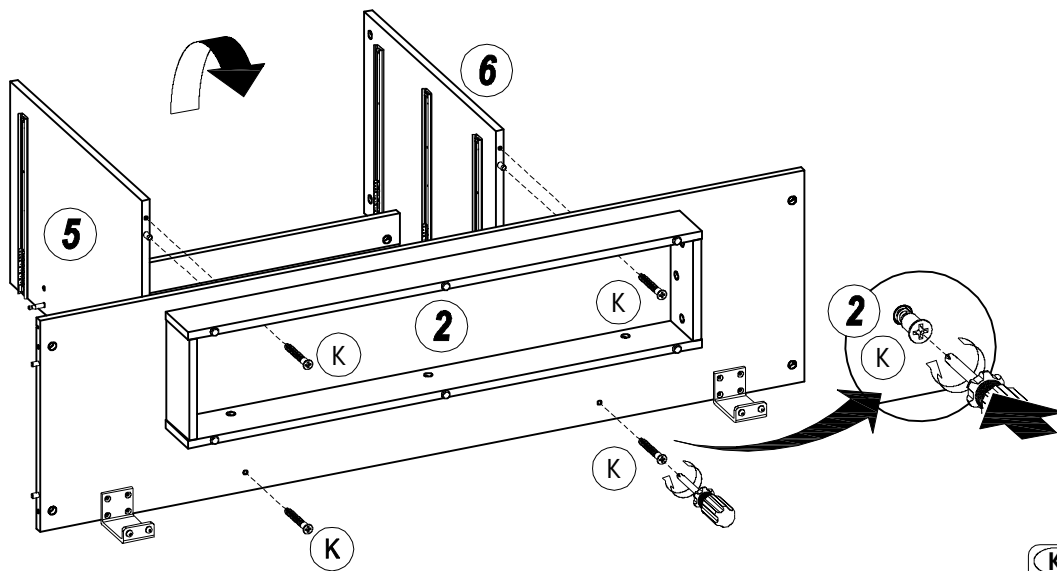
18

C x 4

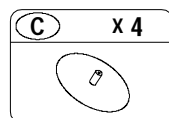
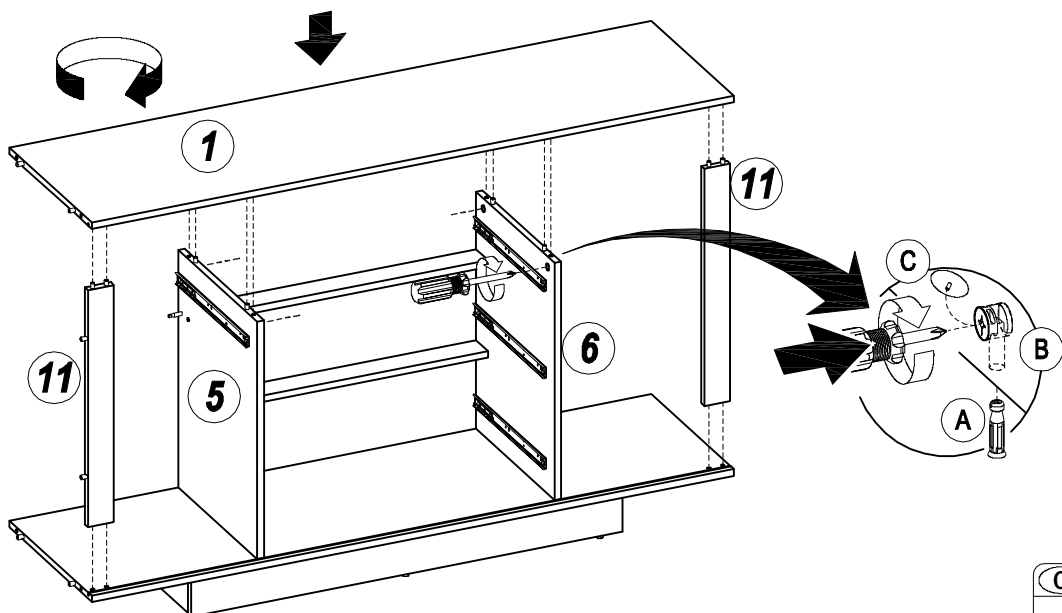
19

C x 8

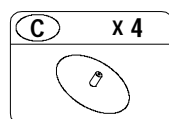
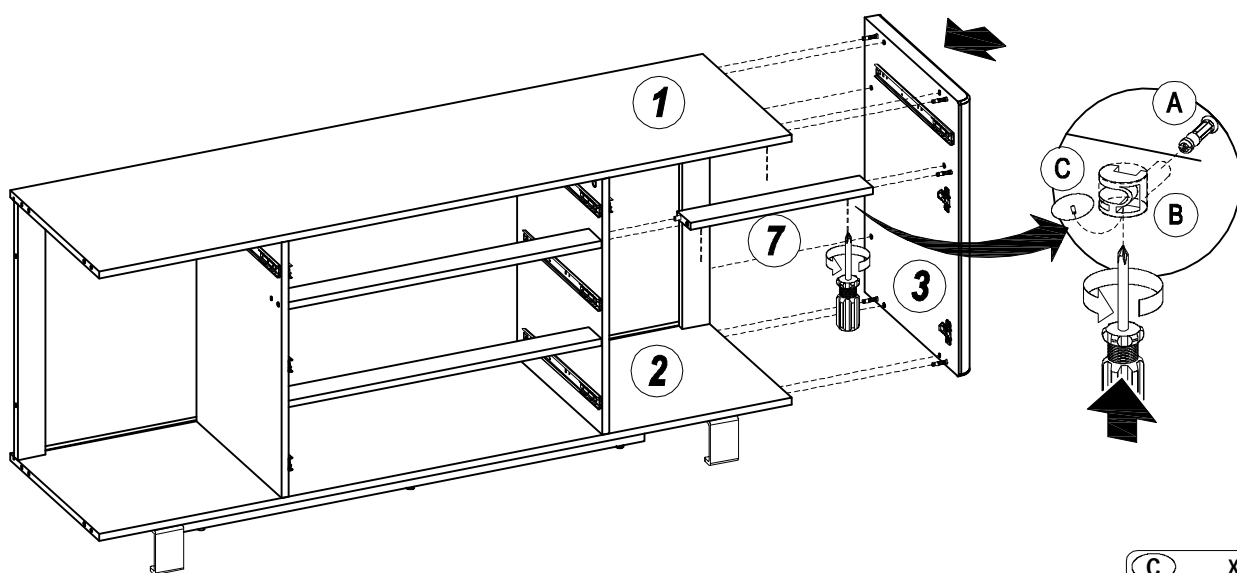
20



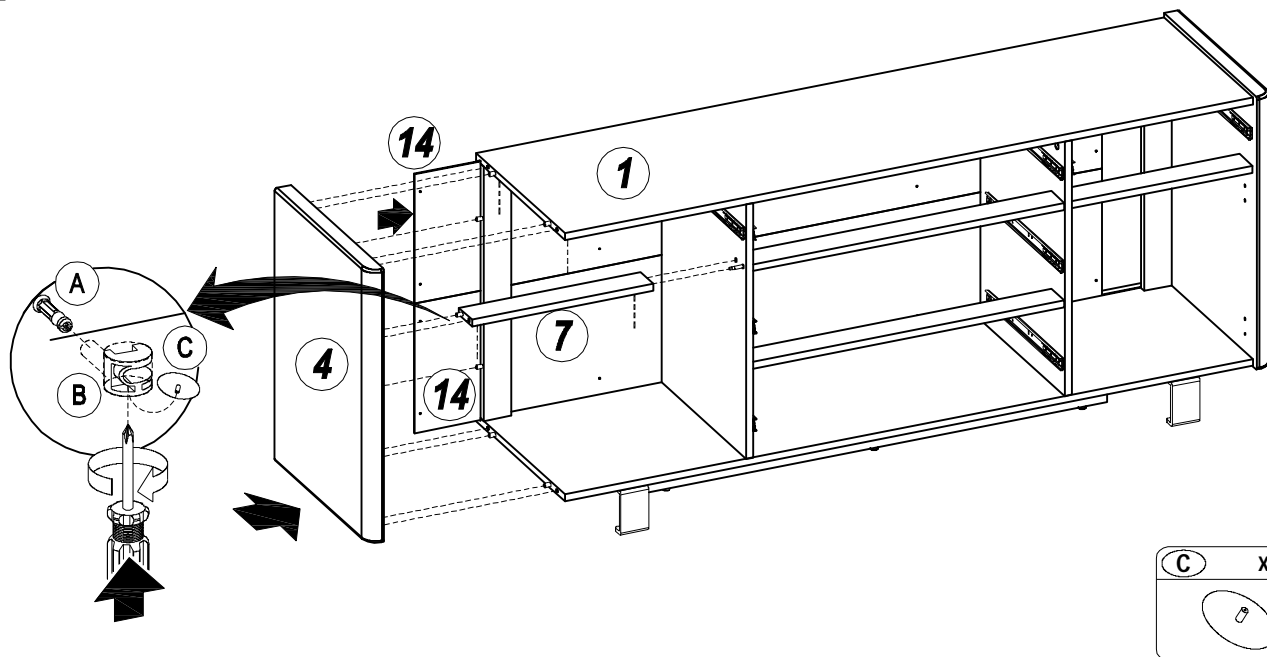
21



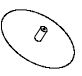
22



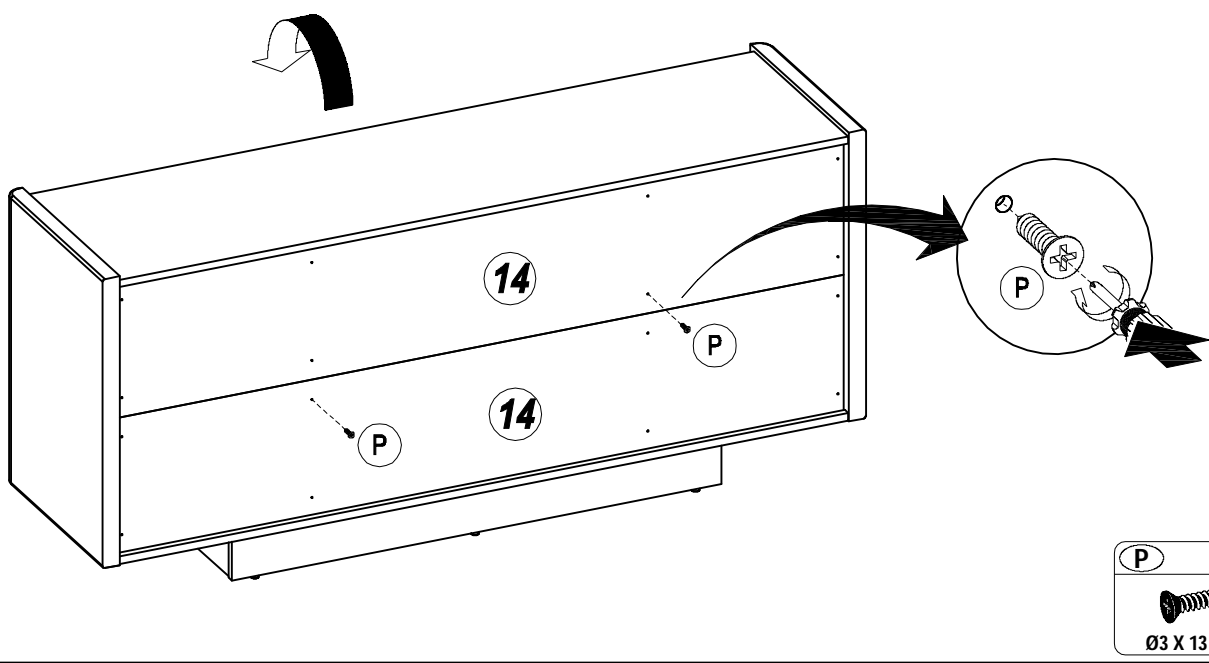
23



C x 4




24

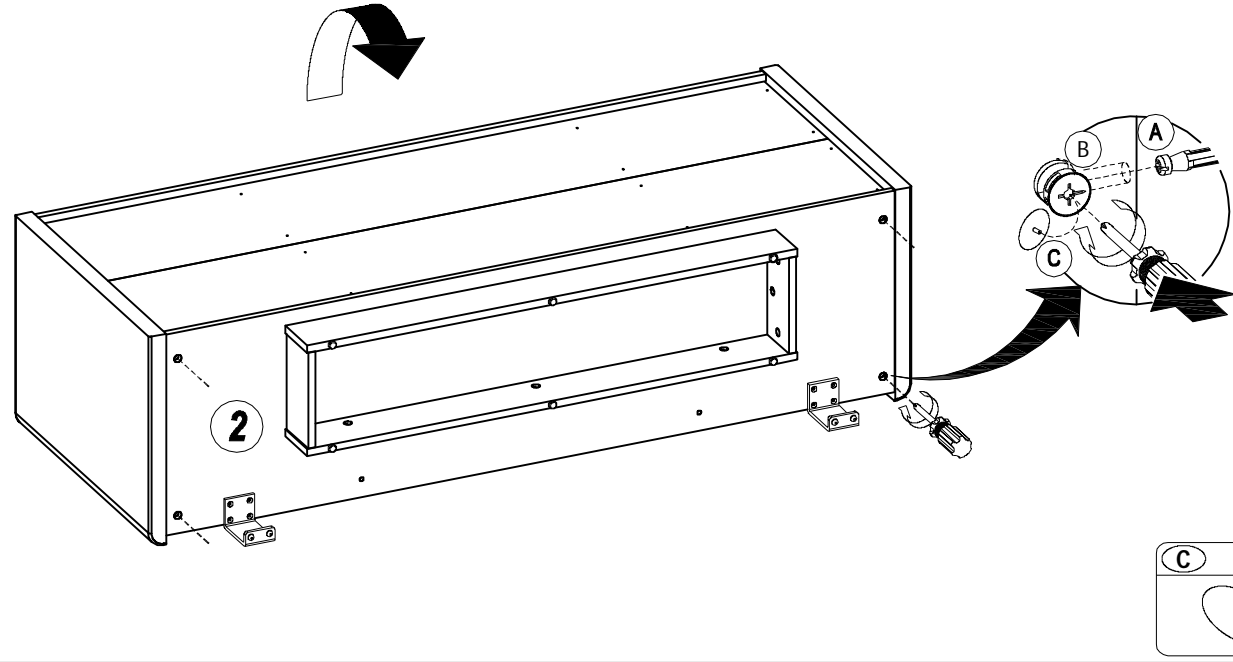


P x 2


Ø3 X 13 mm



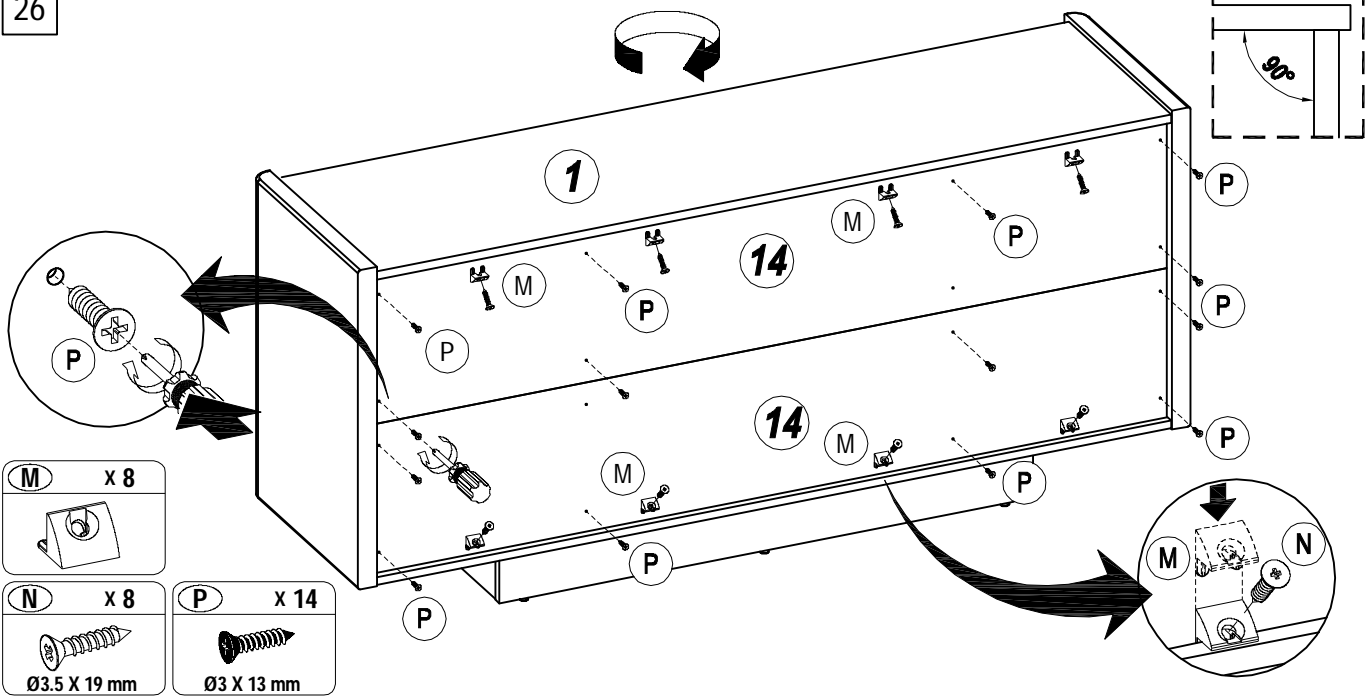
25



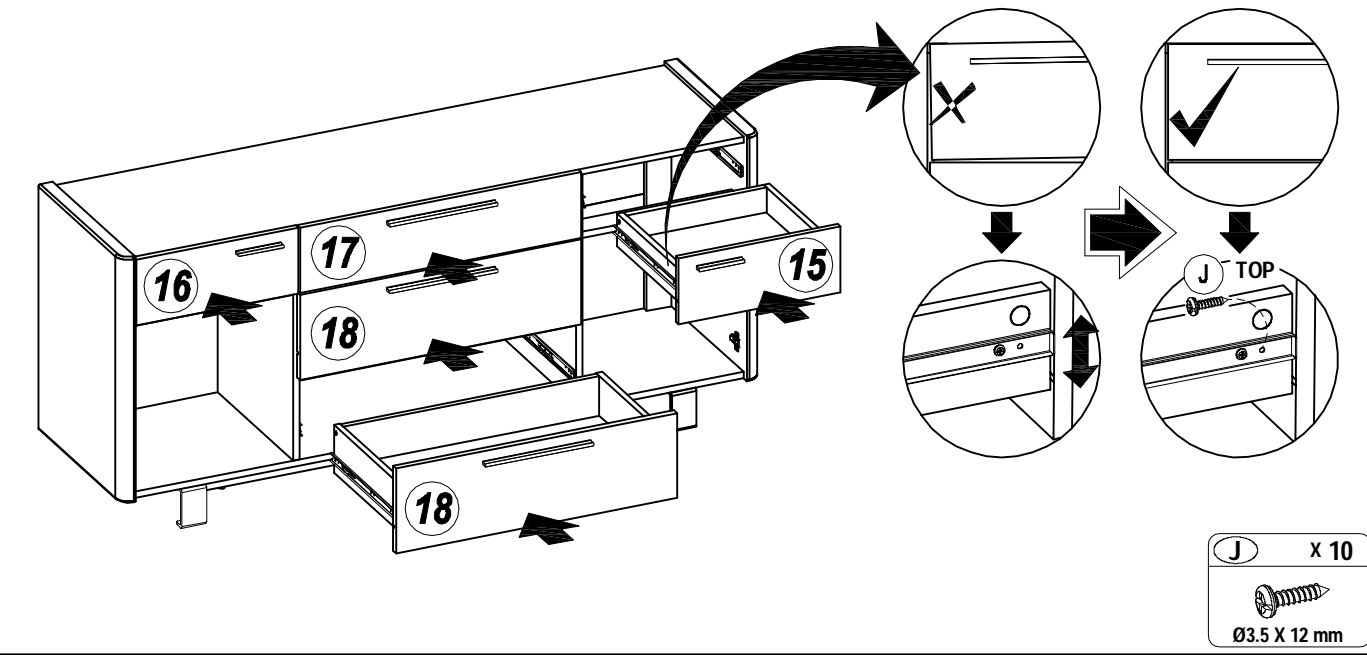
C x 4



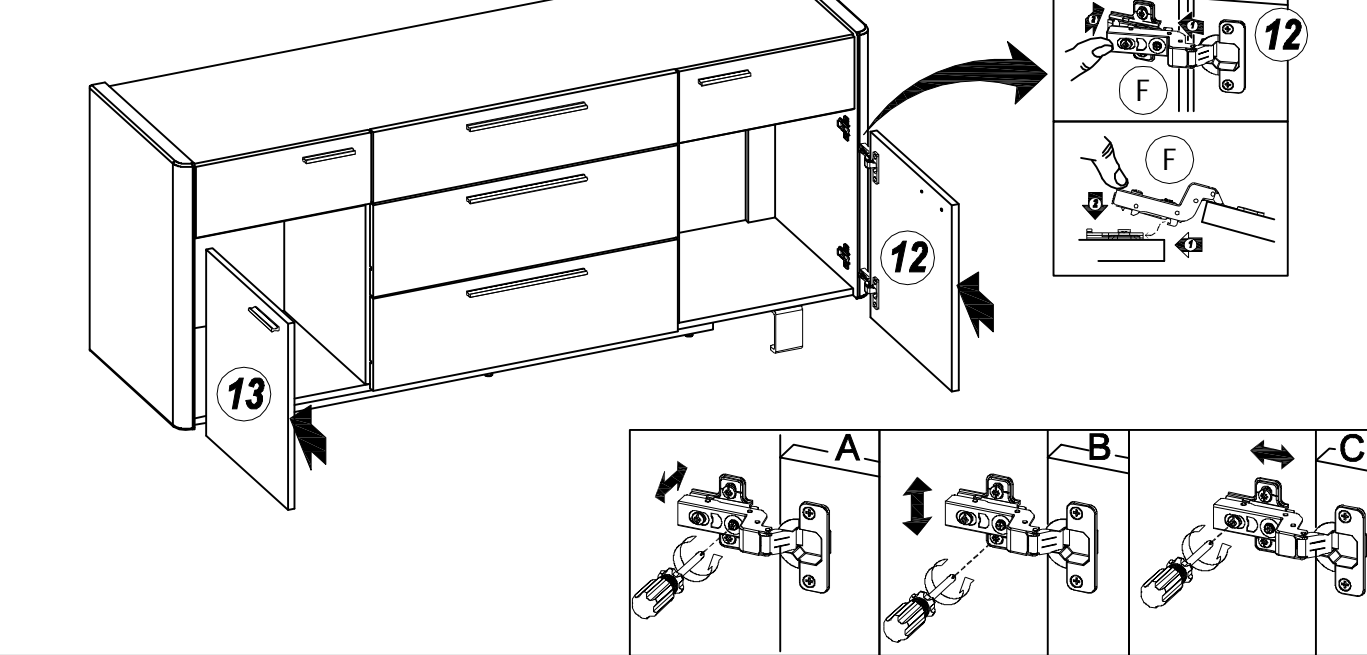
26



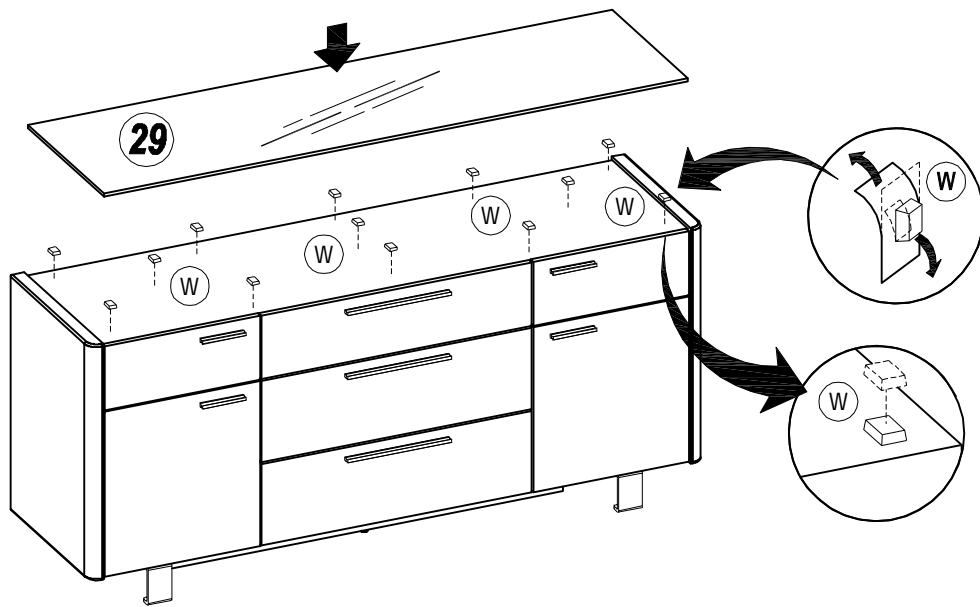
27



28



29



W x 13

30

