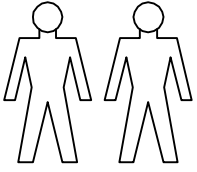
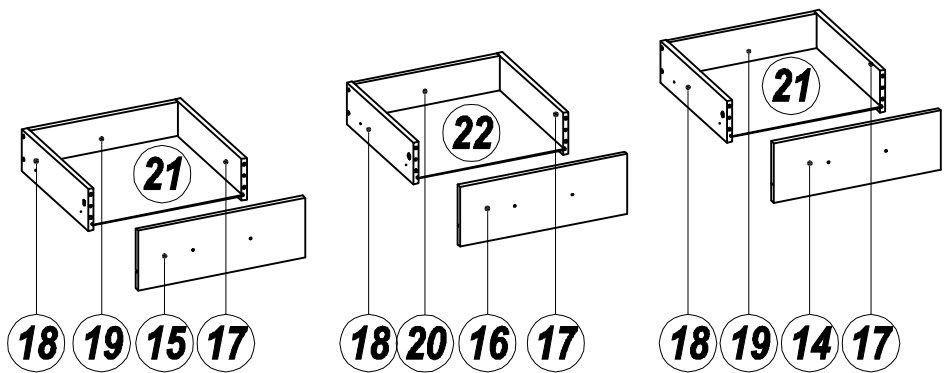
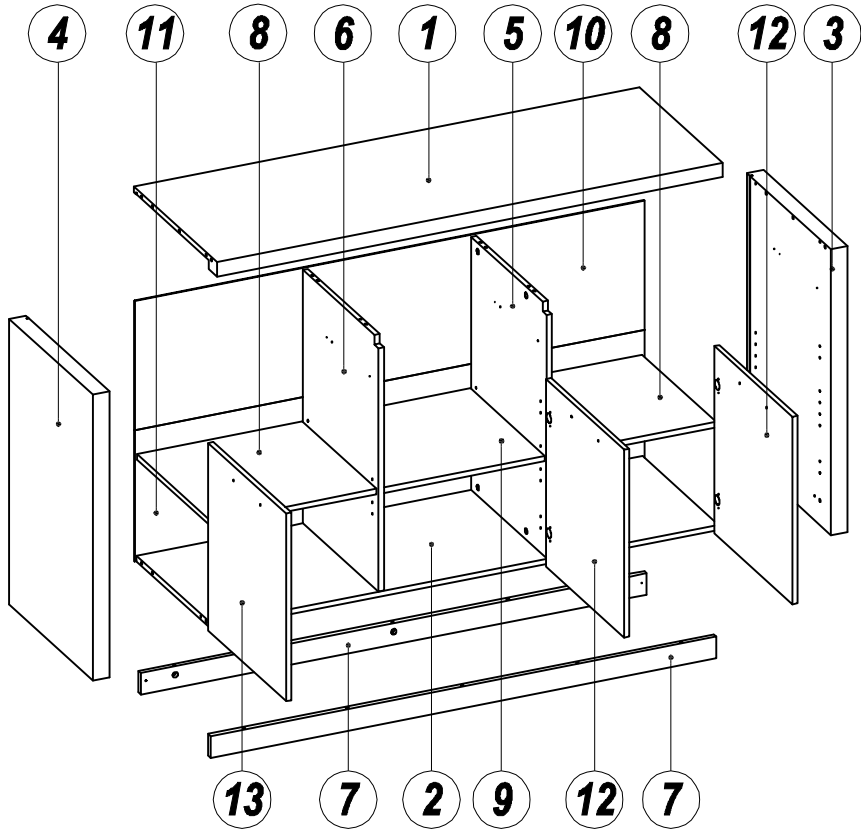
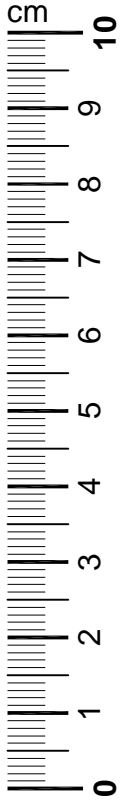
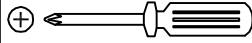
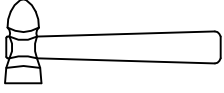
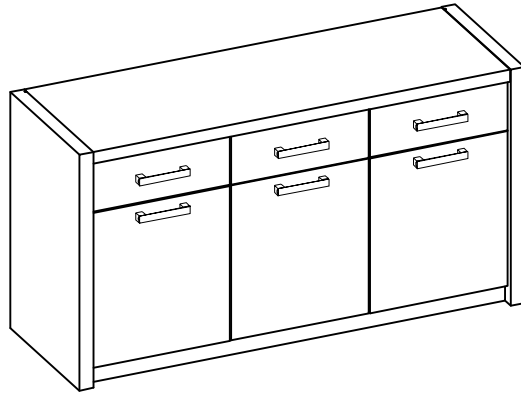


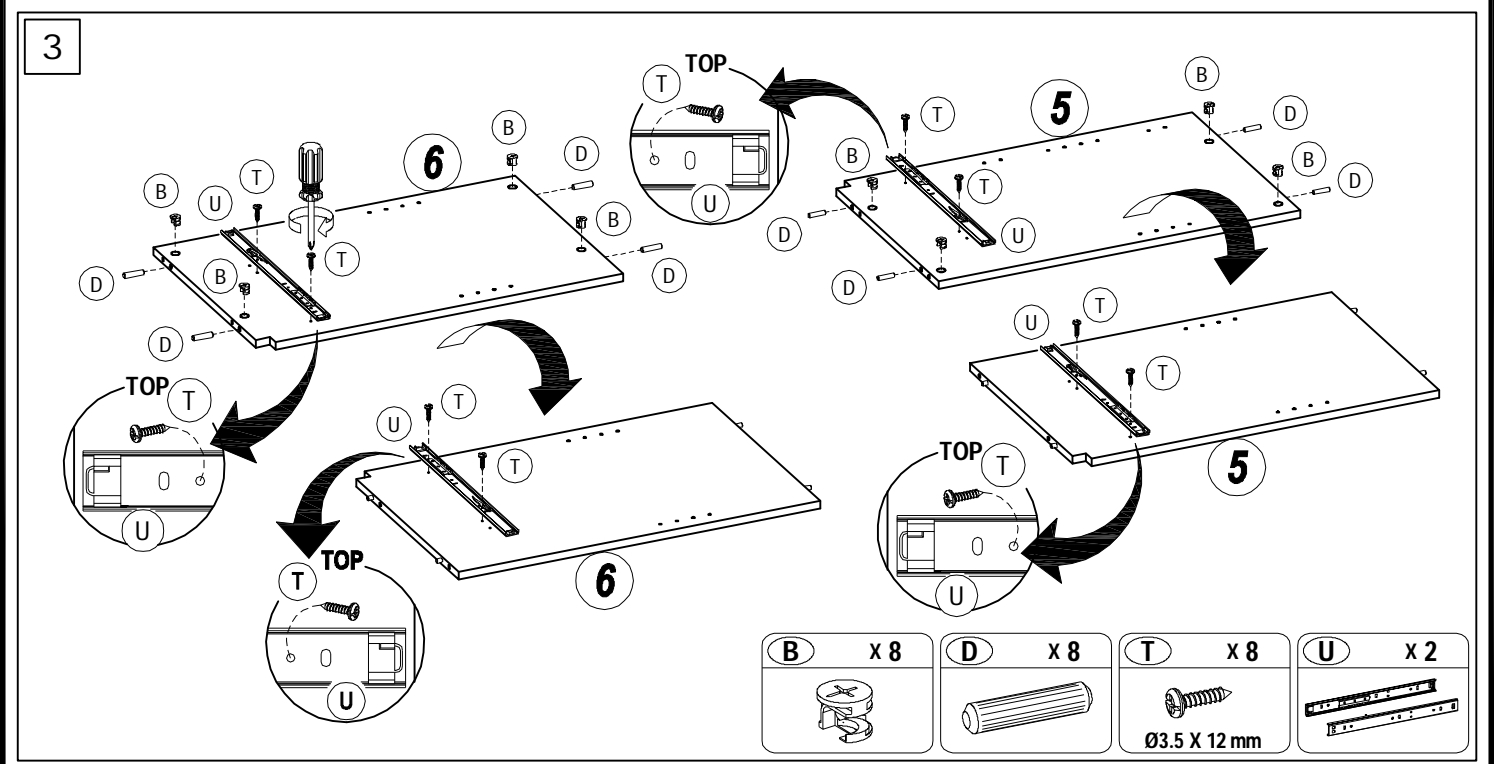
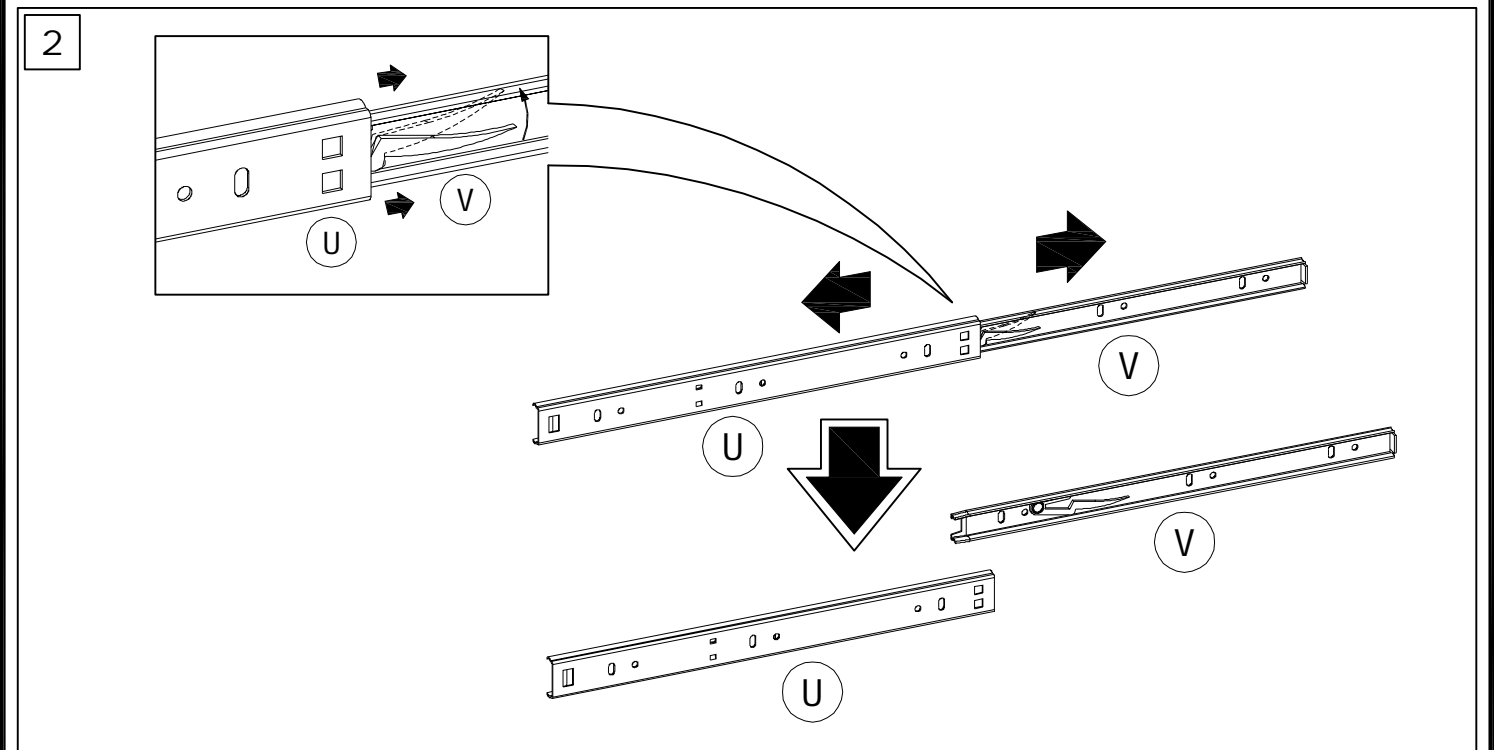
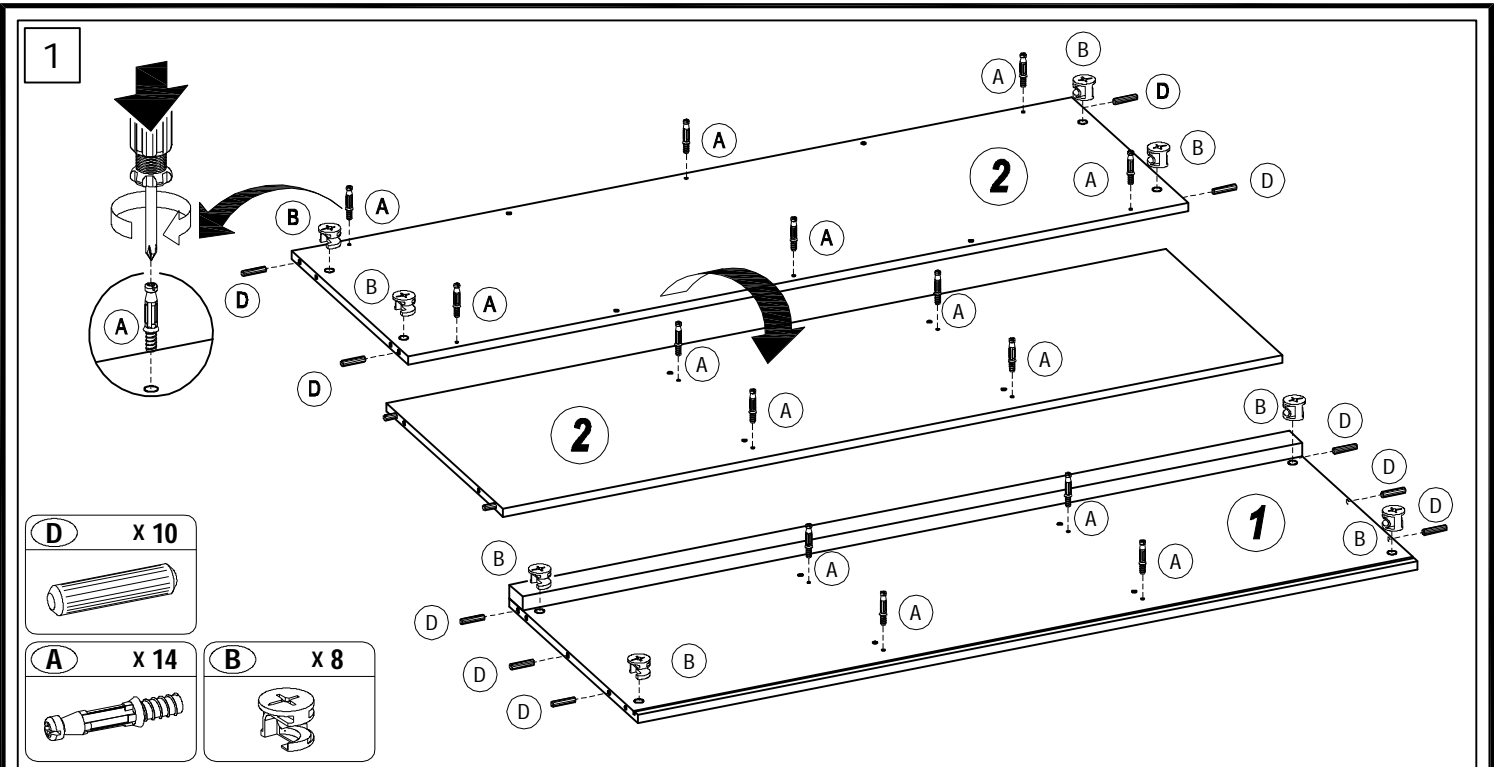
BNSB 150



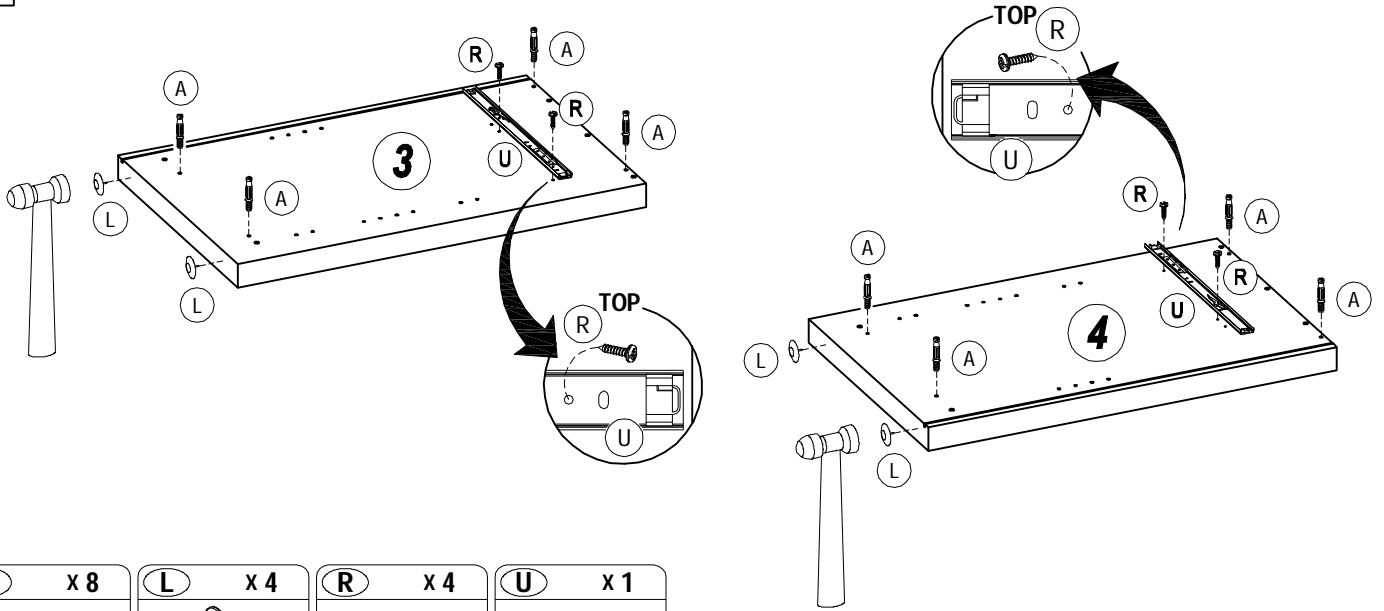
60
MNT



A x 28	B x 28	C x 28	D x 34	E x 12	F x 4	G x 4
H x 2	J x 6	K x 12	L x 4	M x 4	N x 12	P x 13
Q x 13	R x 4	S x 15	T x 34	U x 3	V x 3	W x 12
 Ø3.5 X 19 mm	 Ø3.5 X 16 mm	 Ø3 X 13 mm	 Ø3.5 X 12 mm			 Ø4 X 16 mm

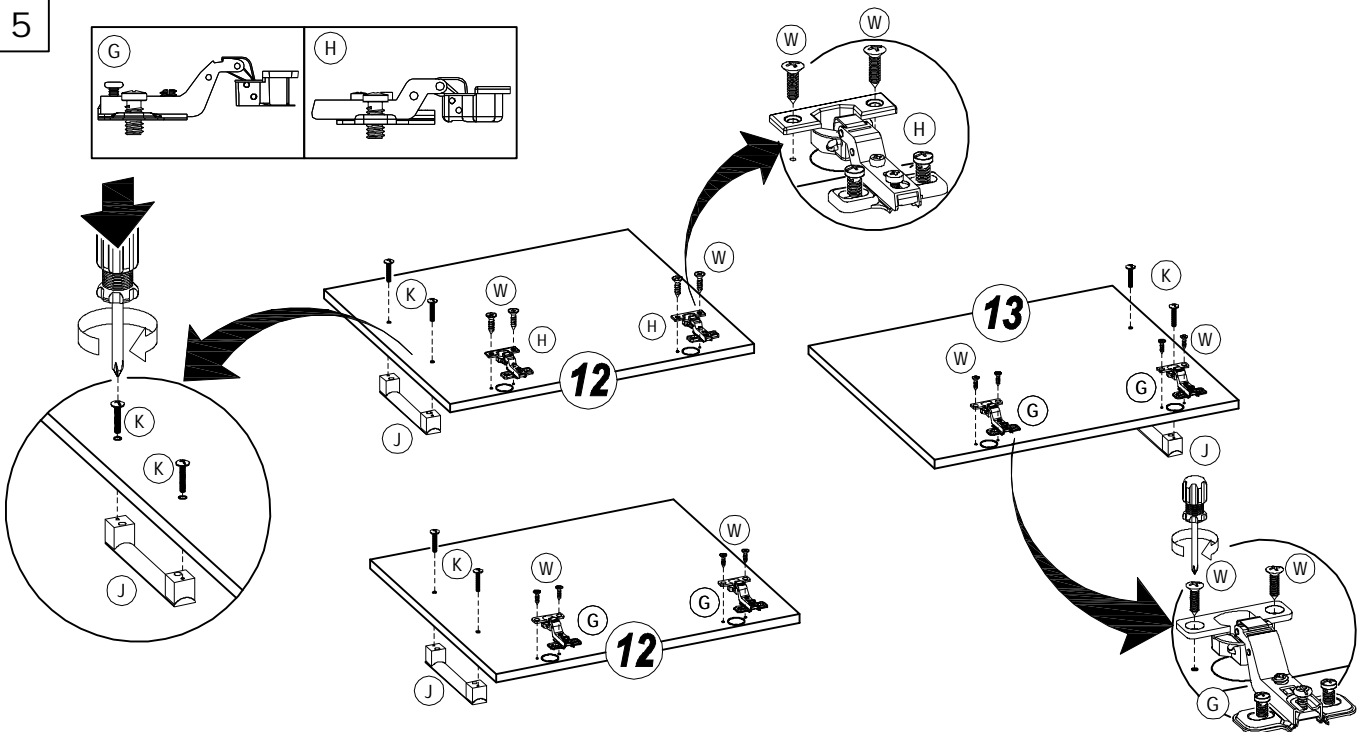


4



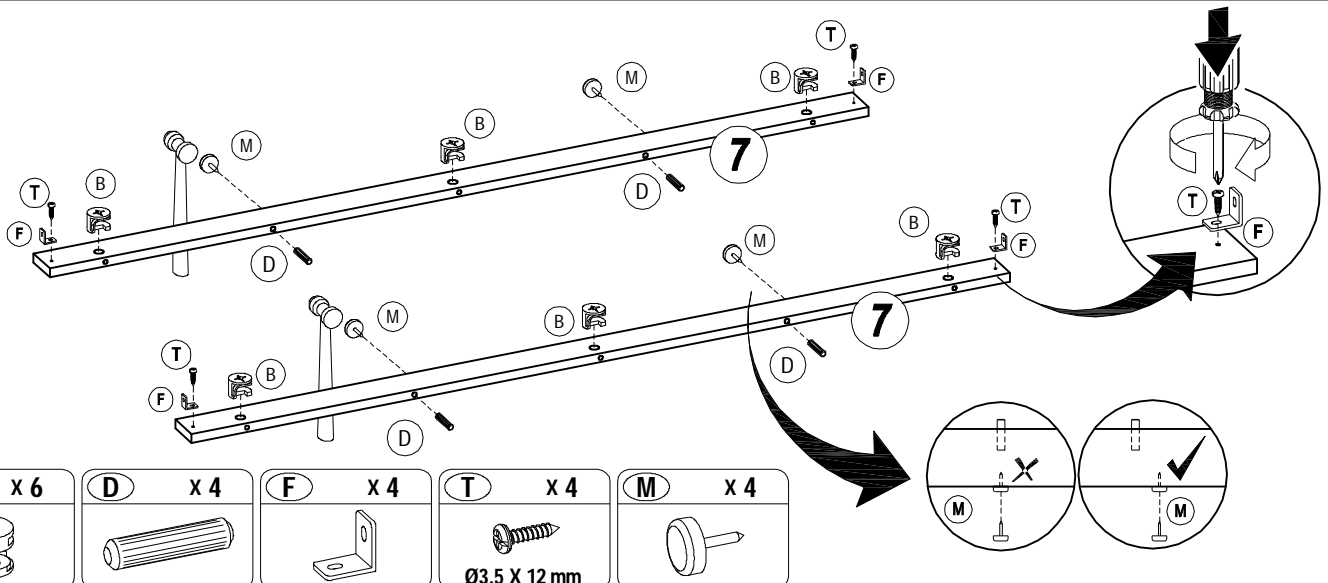
A x 8	L x 4	R x 4	U x 1

5



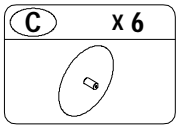
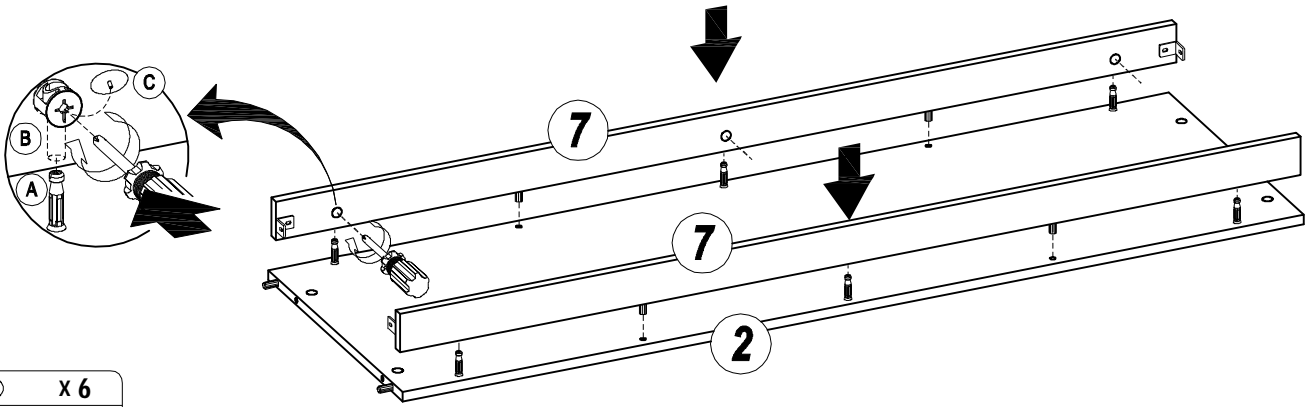
G x 4	H x 2	J x 3	K x 6	W x 12

6

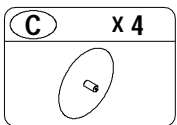
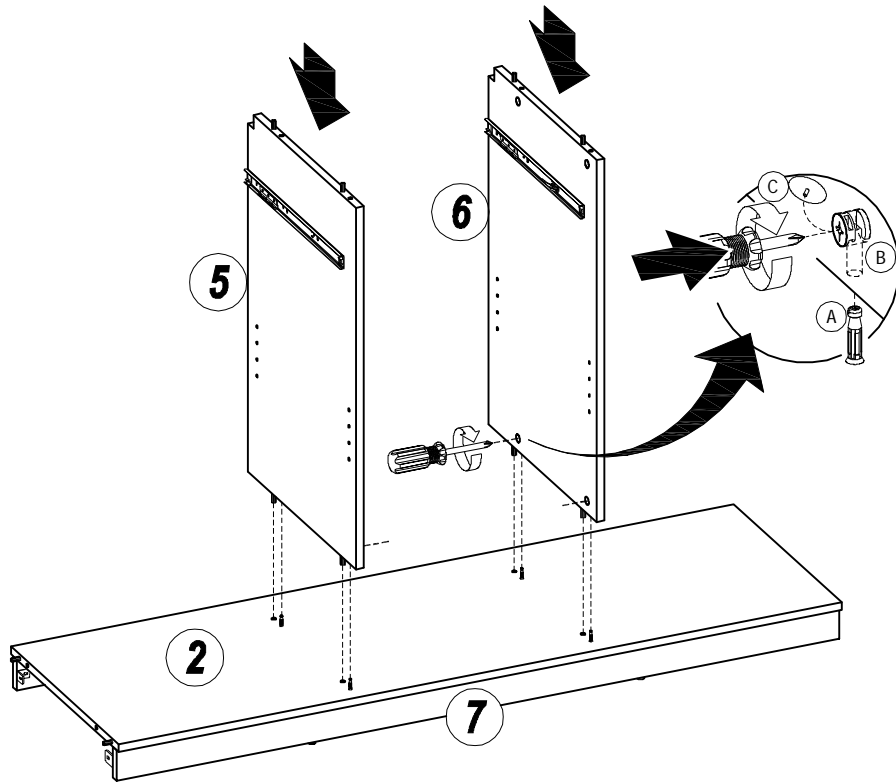


B x 6	D x 4	F x 4	T x 4	M x 4

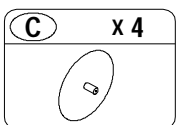
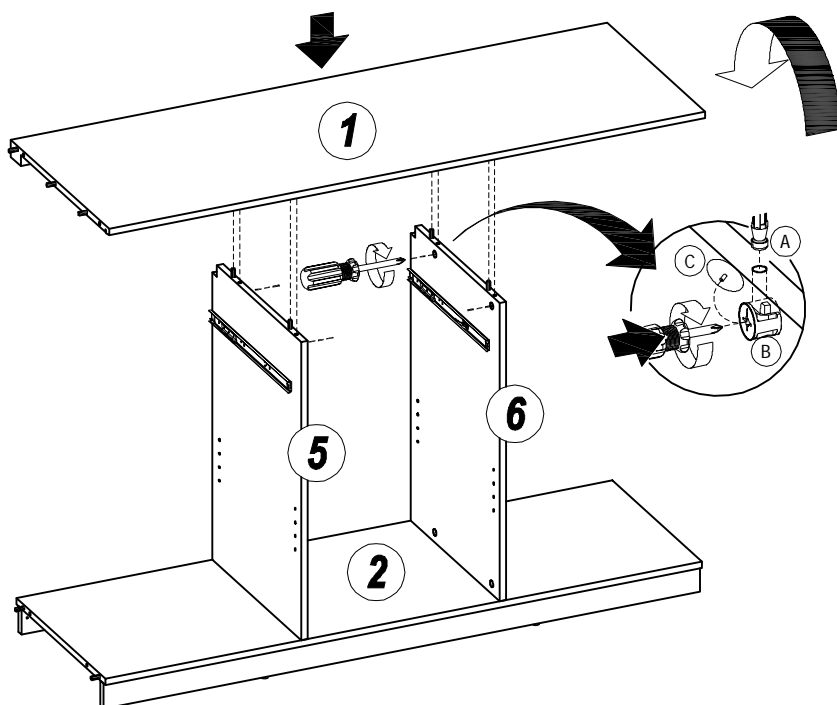
7



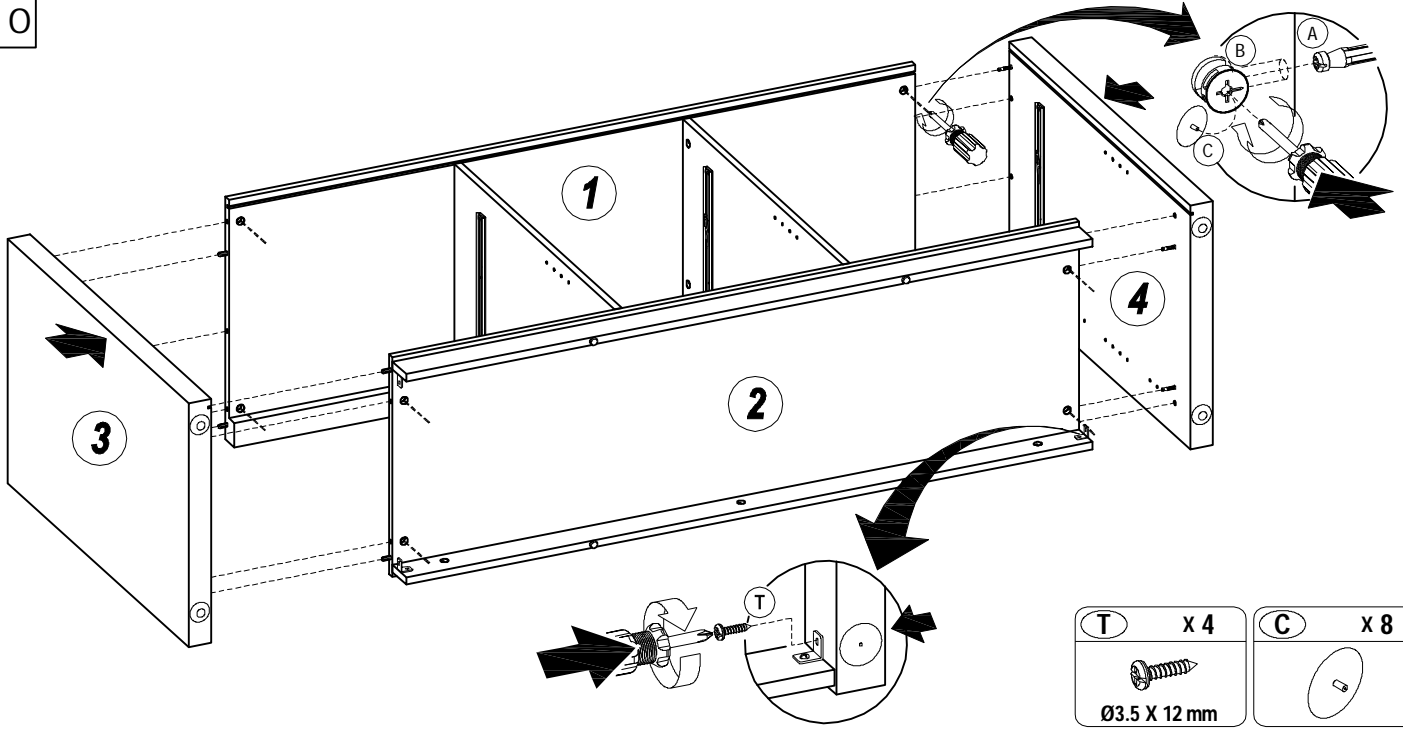
8



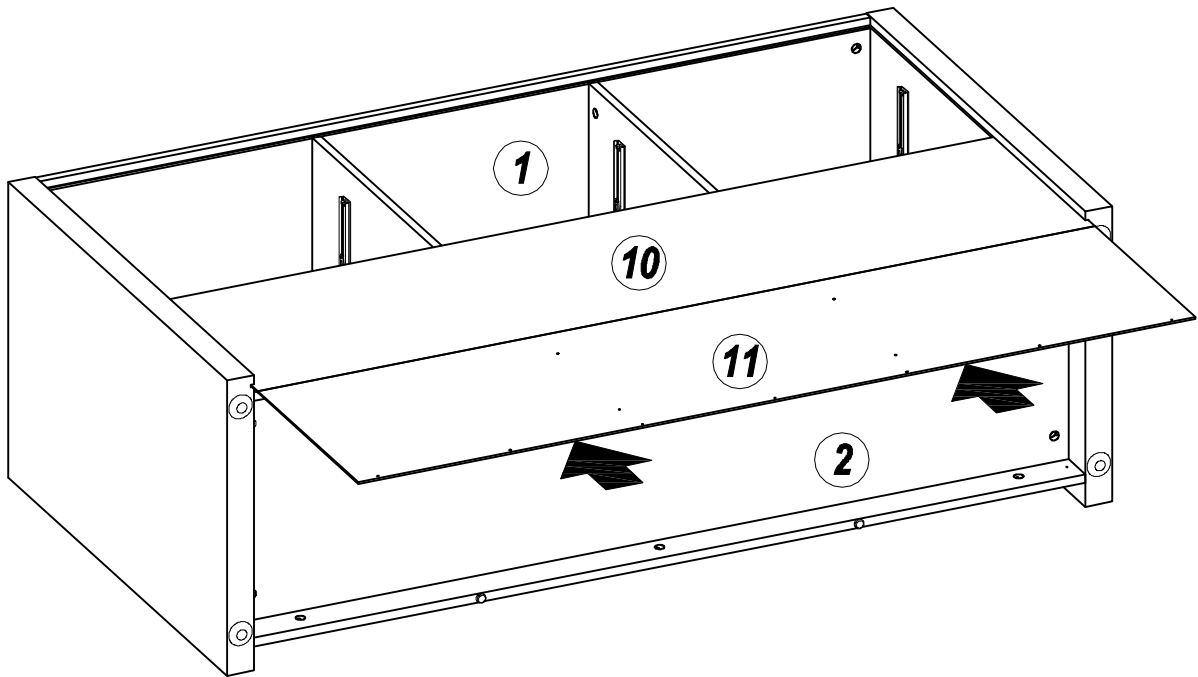
9



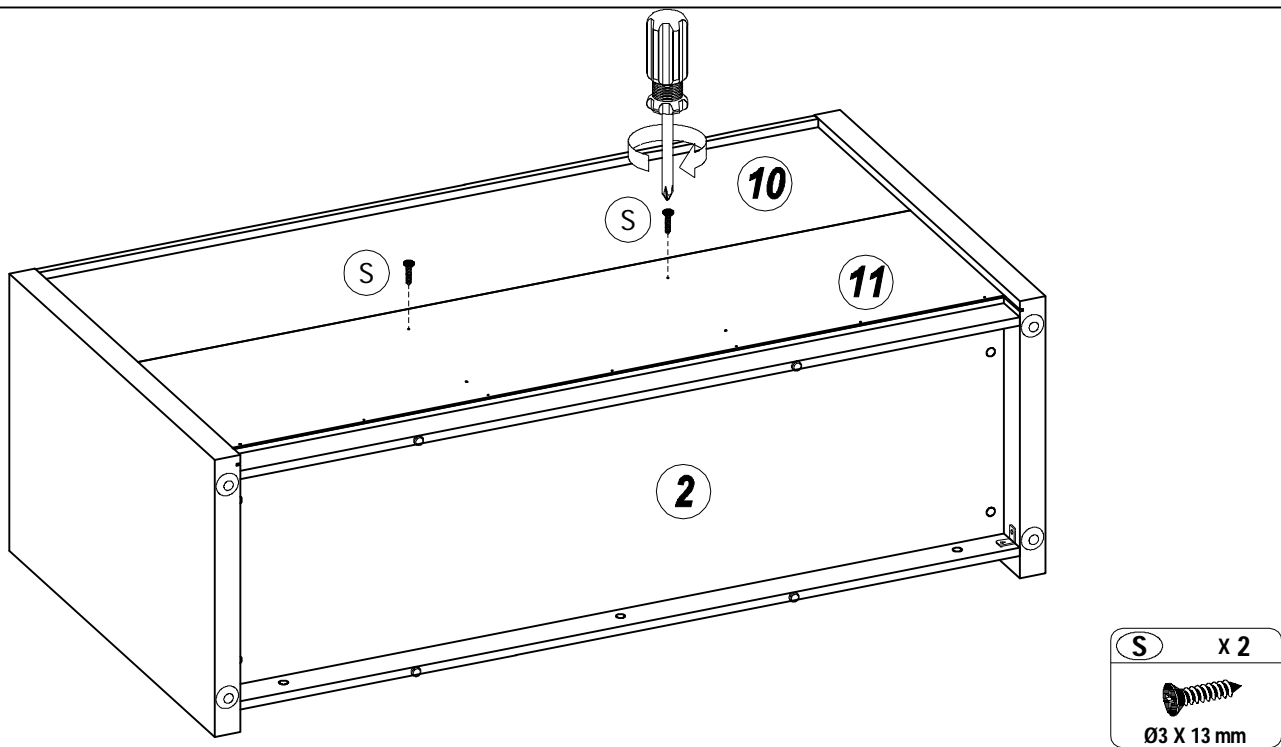
10



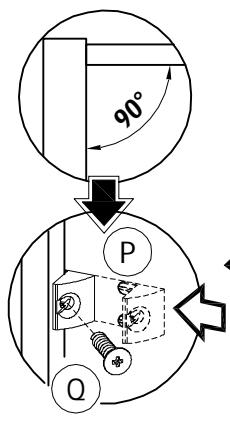
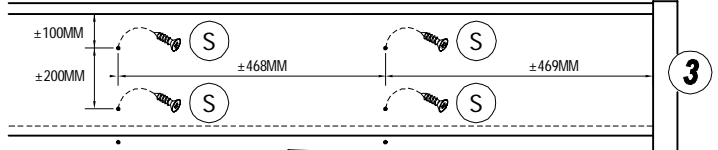
11



12



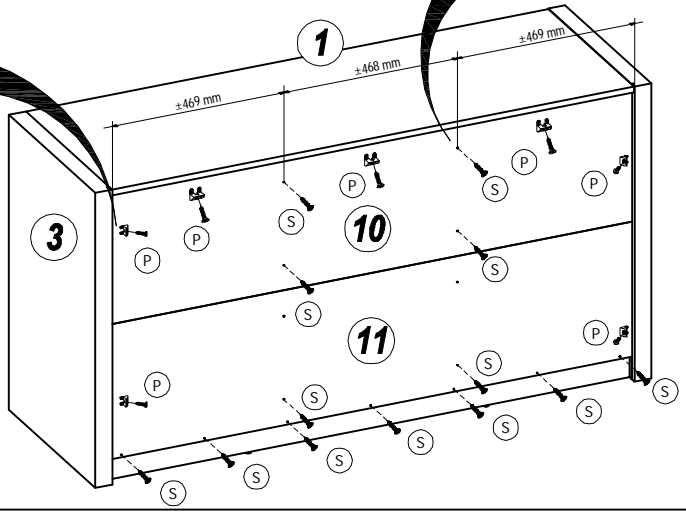
13



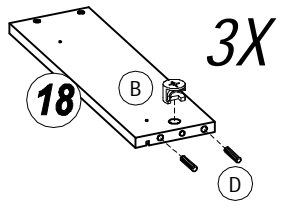
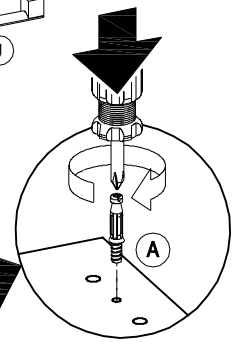
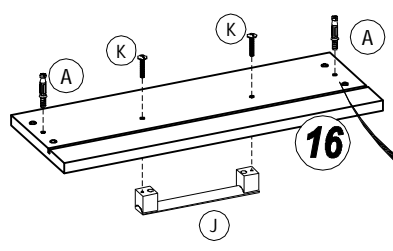
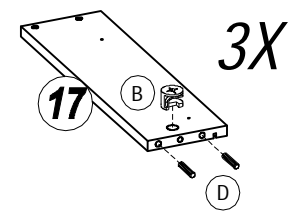
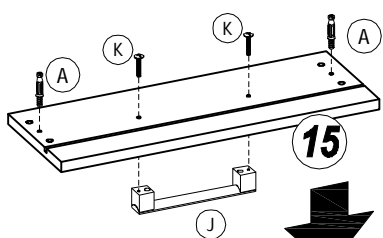
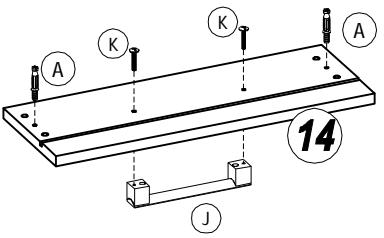
- P** x 7
- O** x 7

Ø3.5 X 19 mm
- S** x 13

Ø3 X 13 mm

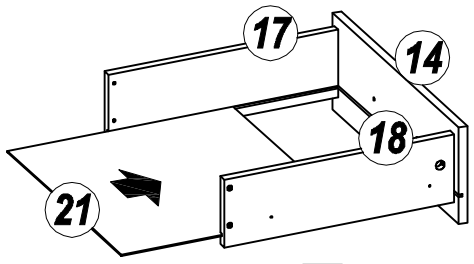
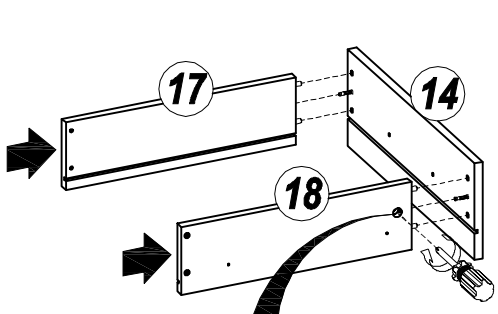


14

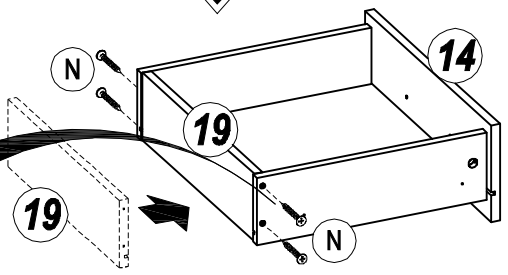
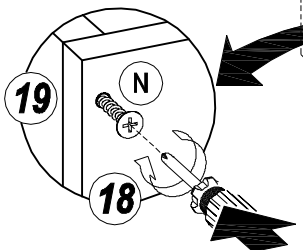
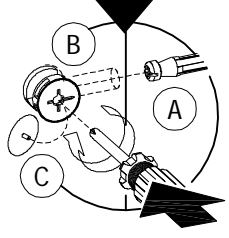


- A** x 6
- B** x 6
- D** x 12
- J** x 3
- K** x 6

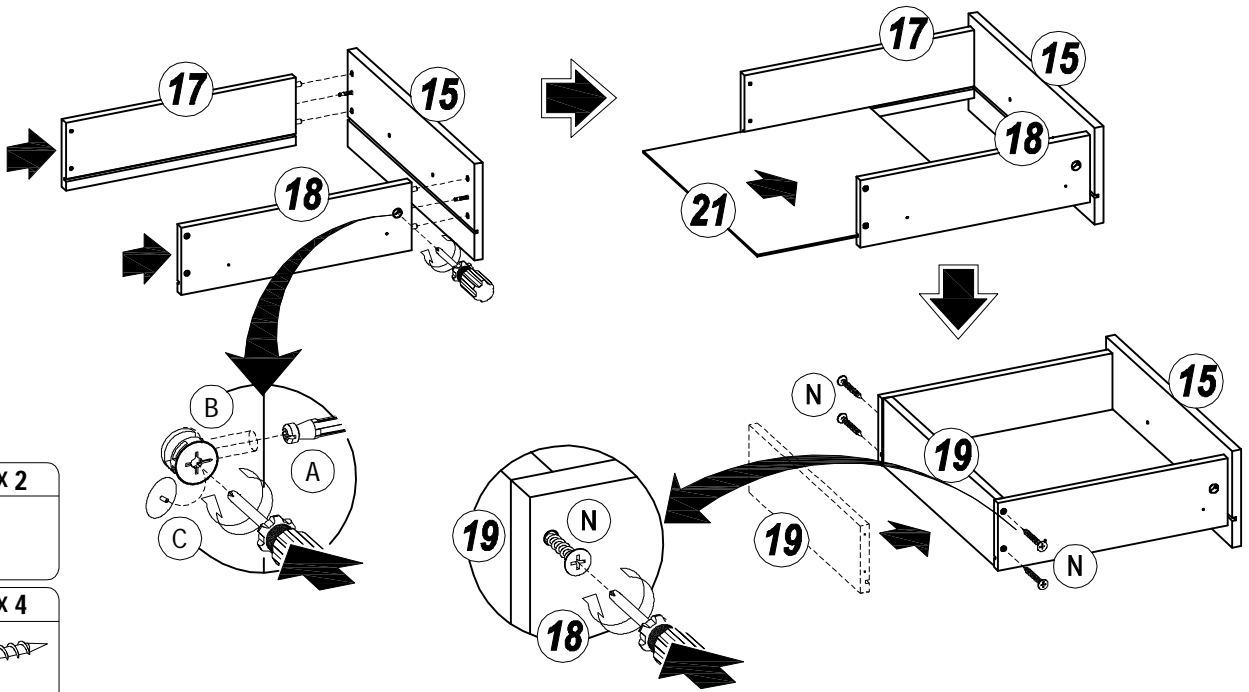
15


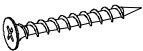


- C** x 2
- N** x 4

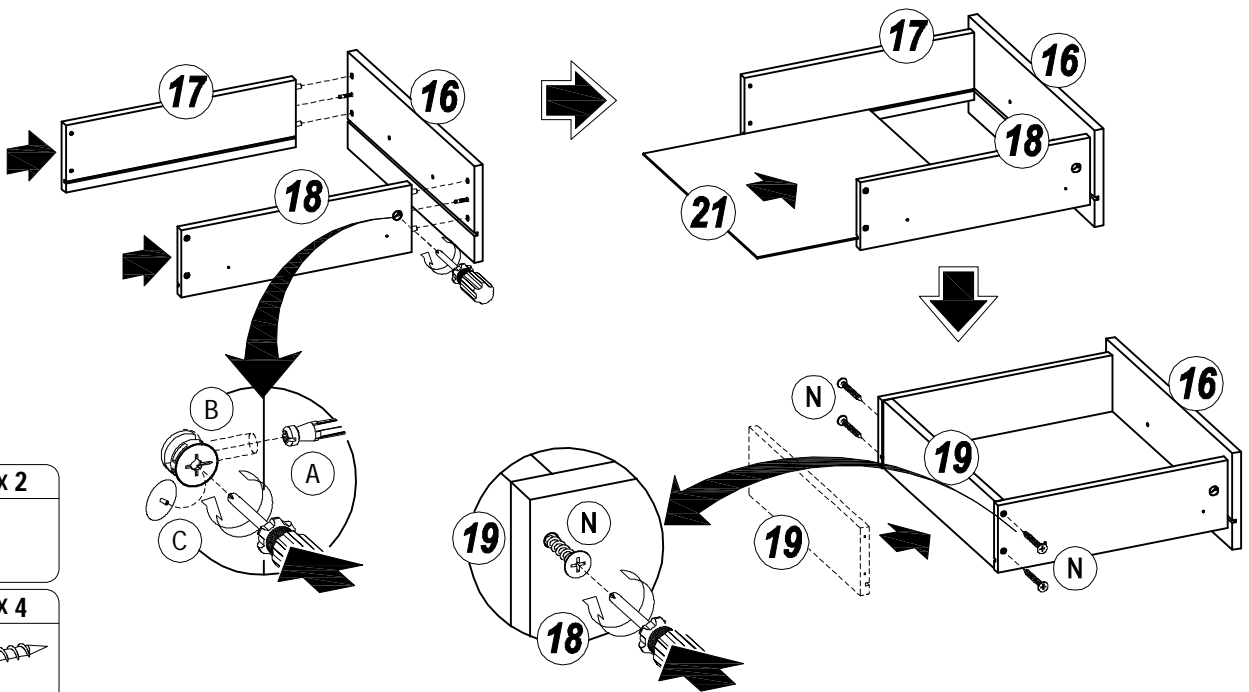




16



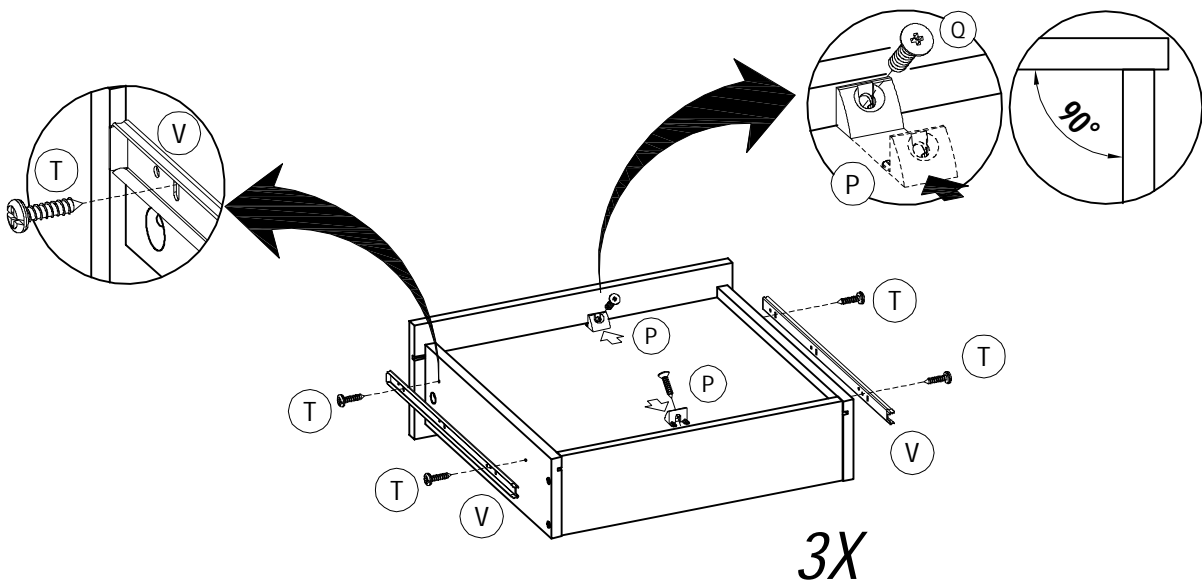
- C** x 2

- N** x 4


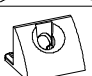
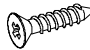


17



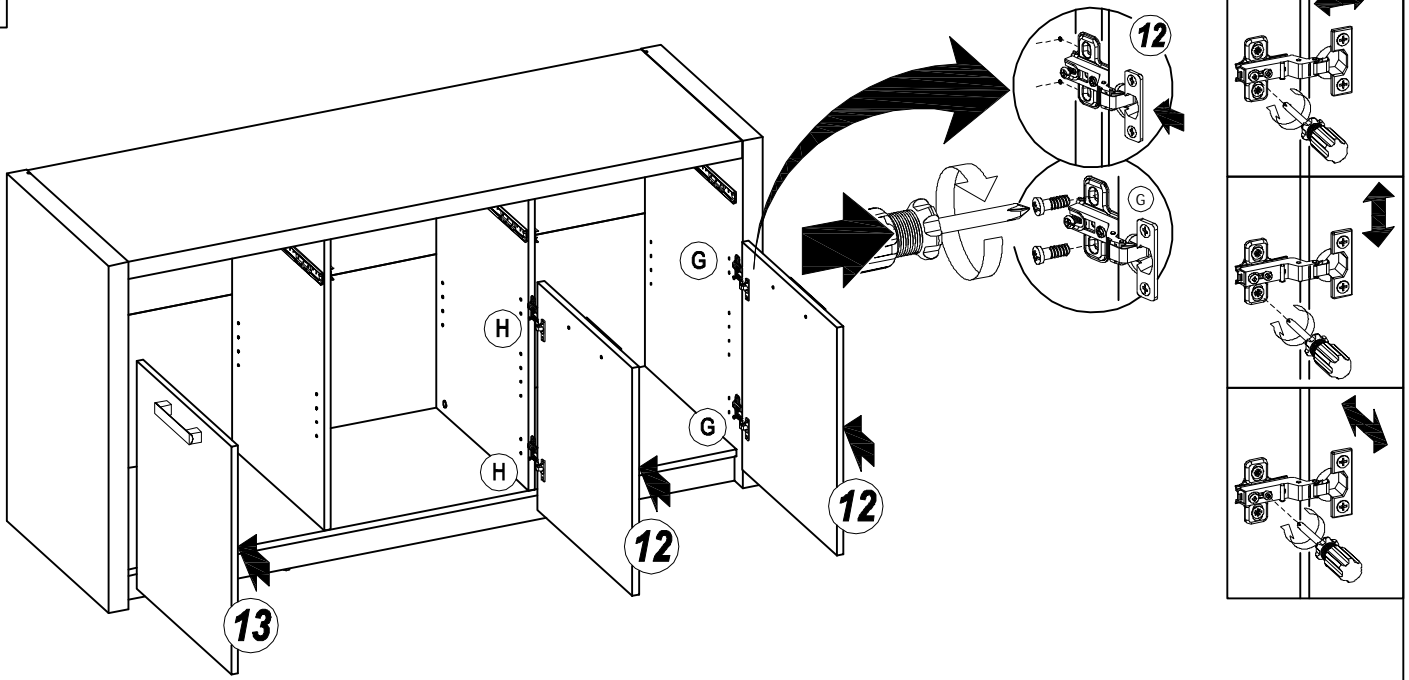
- C** x 2

- N** x 4


18

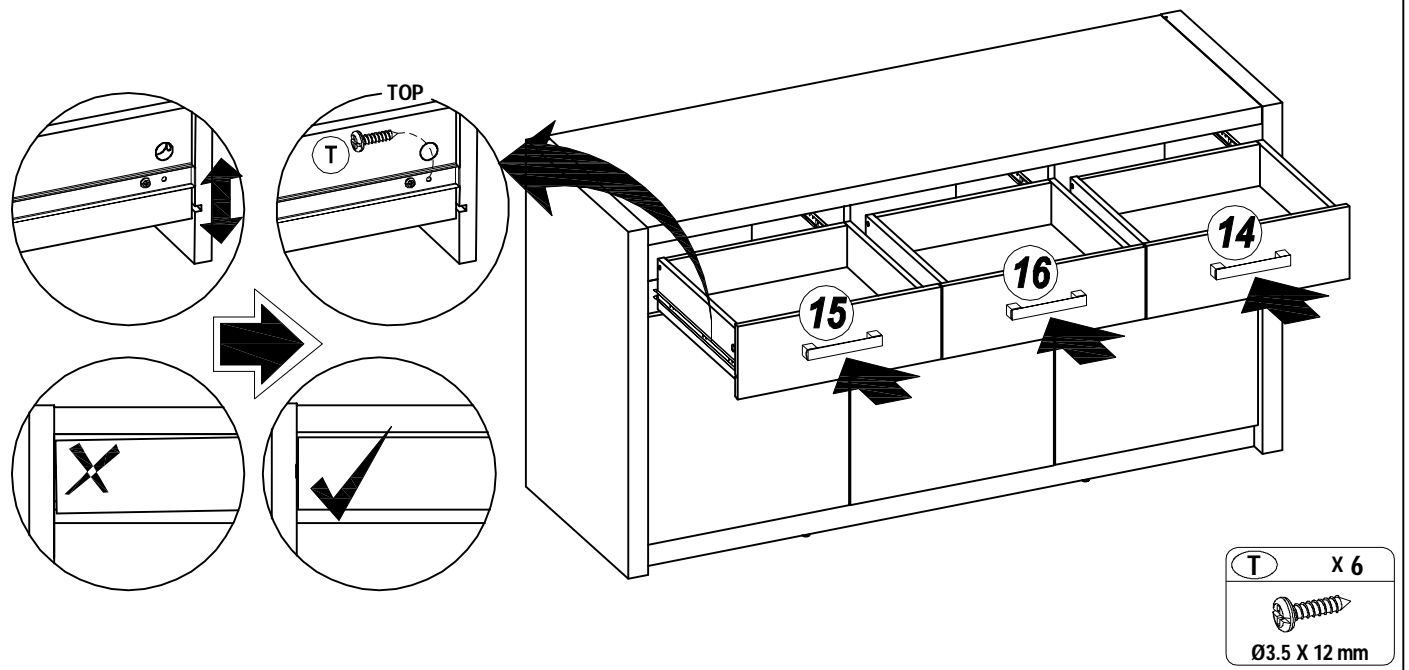


- P** x 6

- Q** x 6

Ø3.5 X 19 mm
- T** x 12

Ø3.5 X 12 mm
- V** x 3


19



20



21

