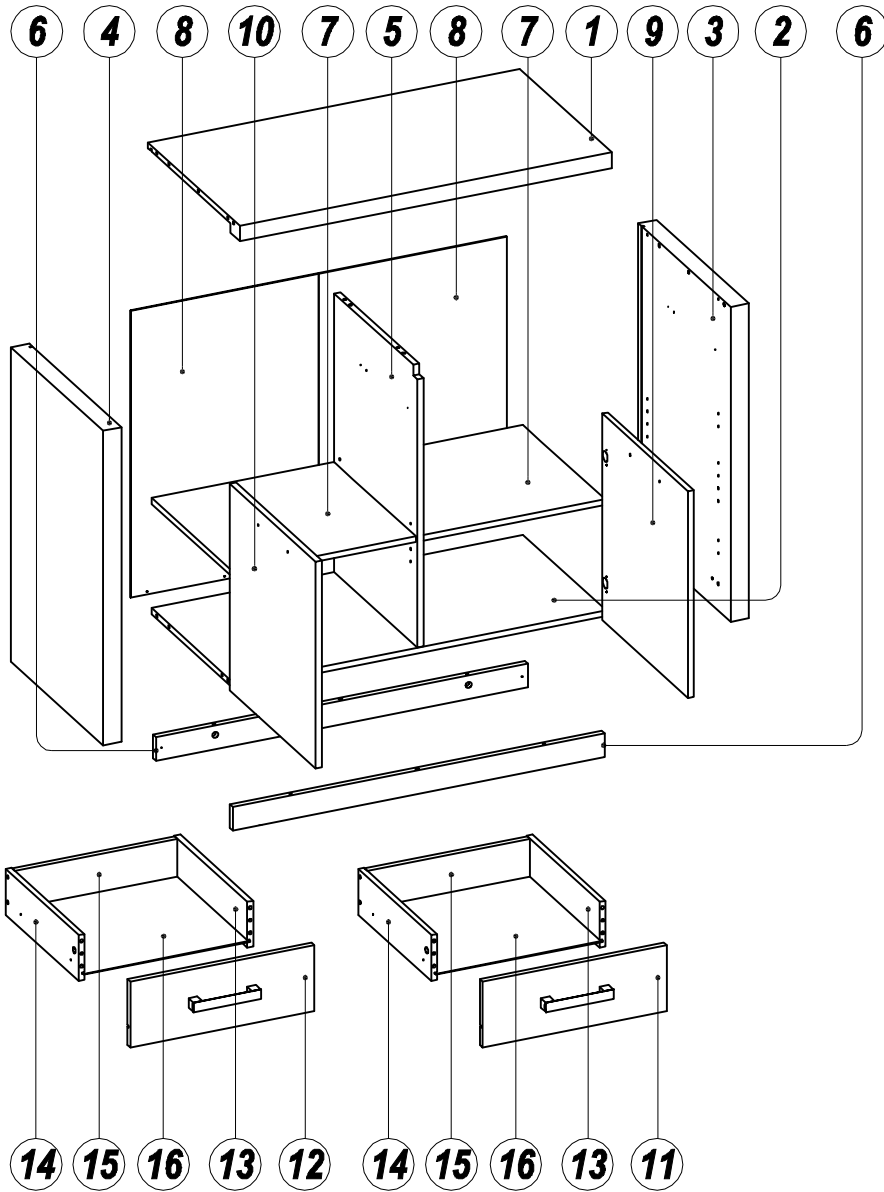
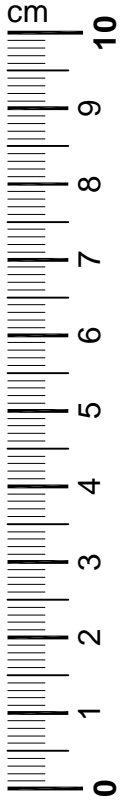
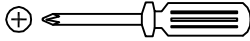
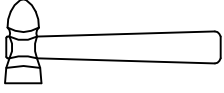
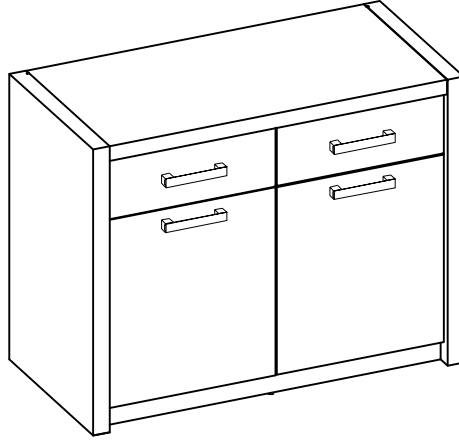
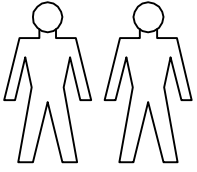


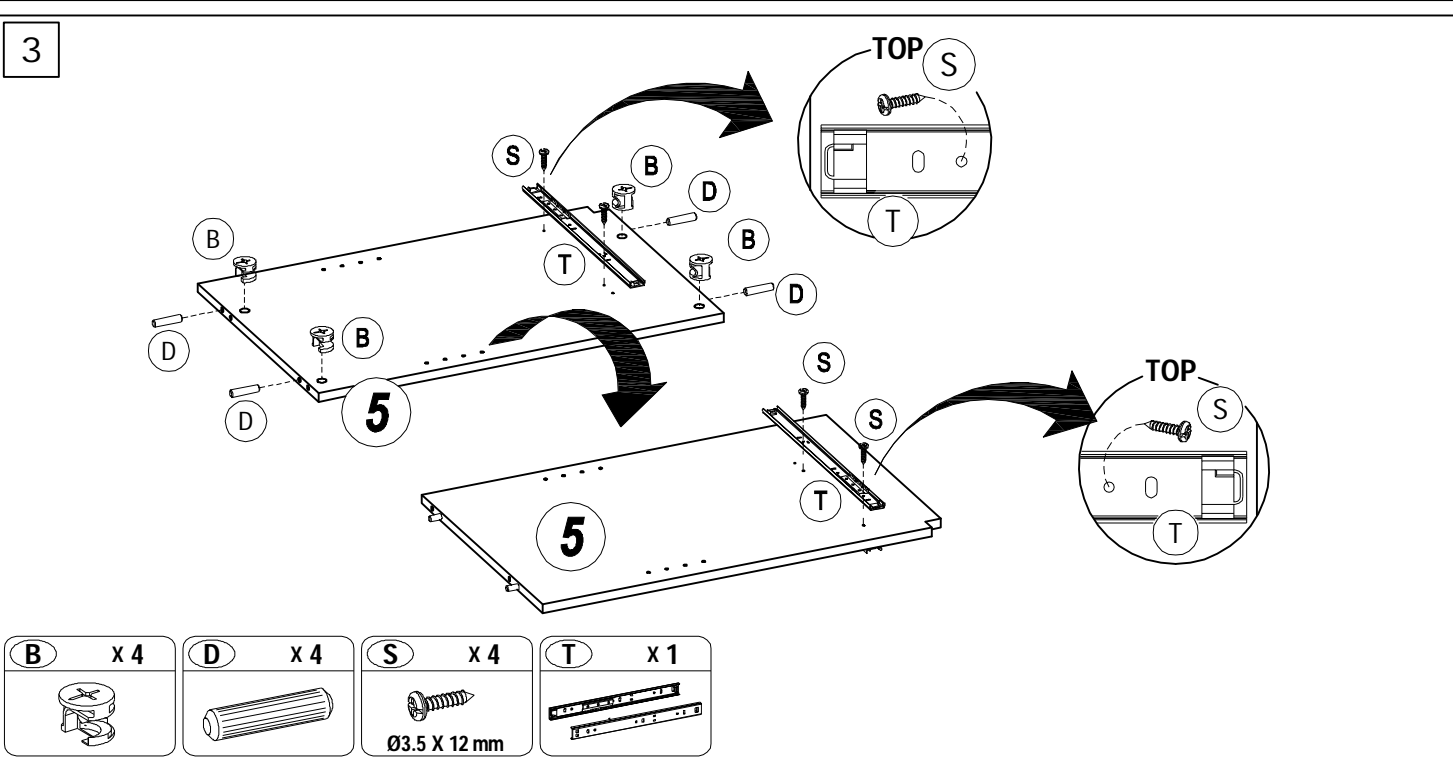
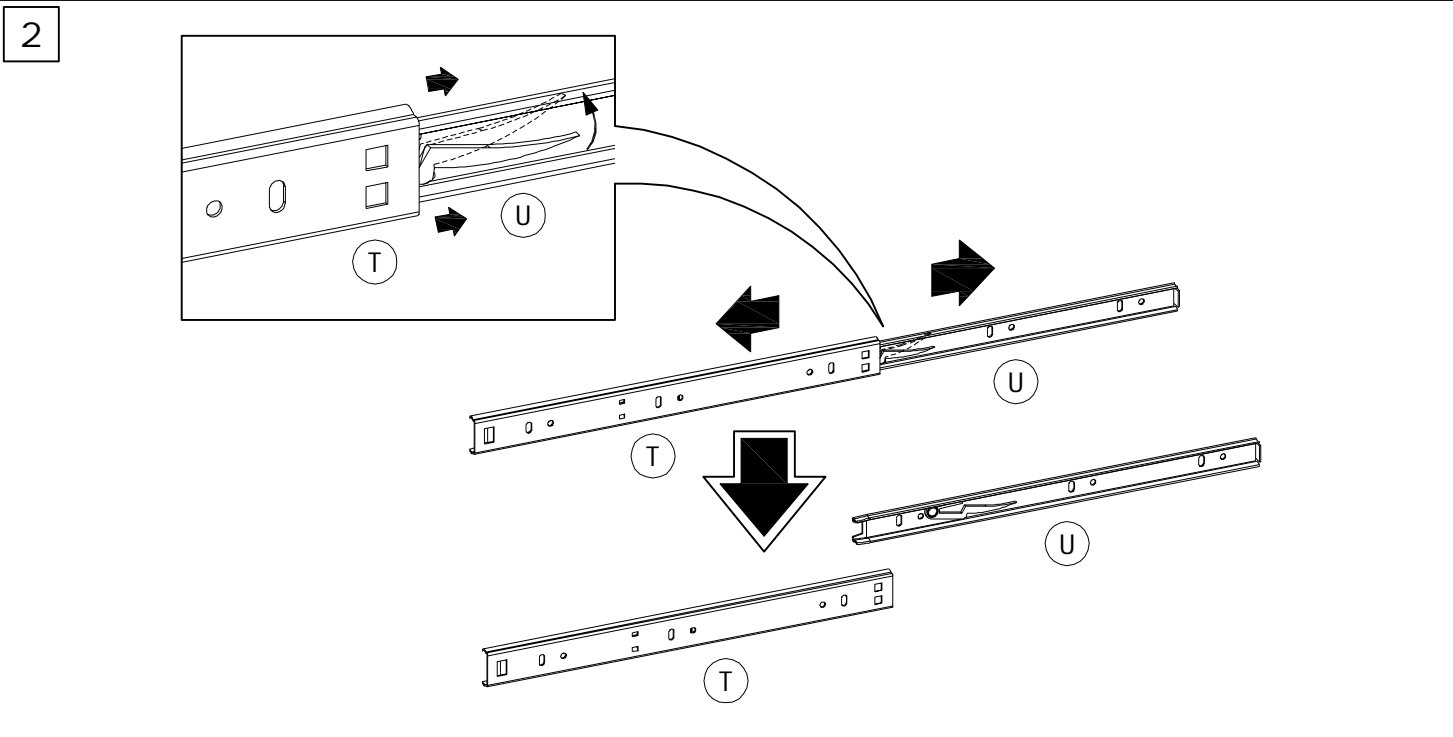
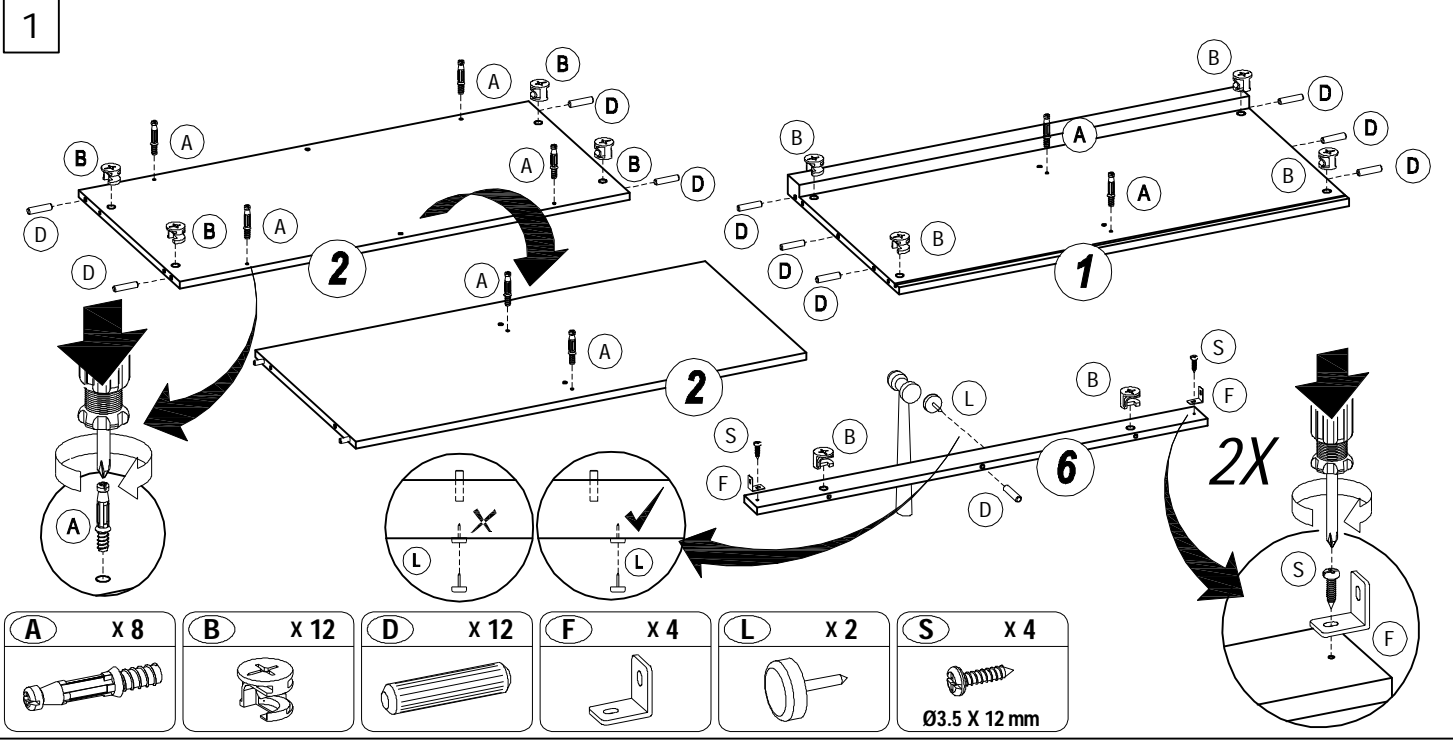
BNSB 100



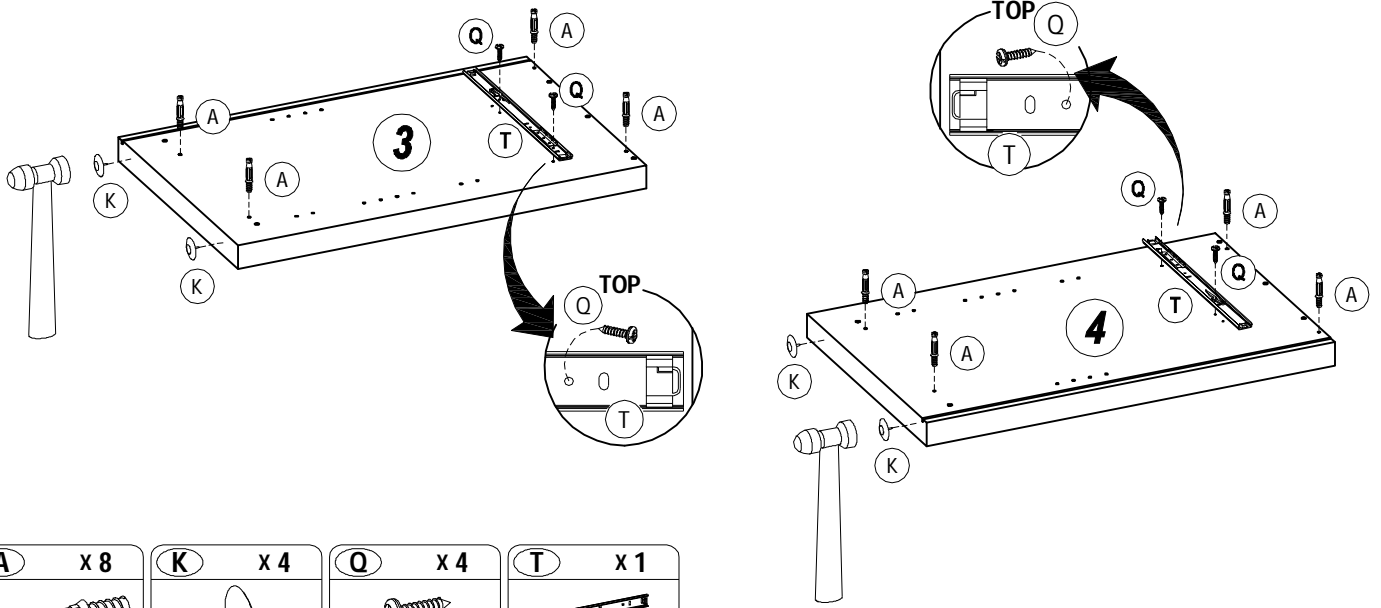
A x 20	B x 20	C x 20	D x 24	E x 8	F x 4

G x 4	H x 4	J x 8	K x 4	L x 2	M x 8	N x 10

P x 10	Q x 4	R x 8	S x 24	T x 2	U x 2	V x 2
 Ø3.5 X 19 mm	 Ø3.5 X 16 mm	 Ø3 X 13 mm	 Ø3.5 X 12 mm			

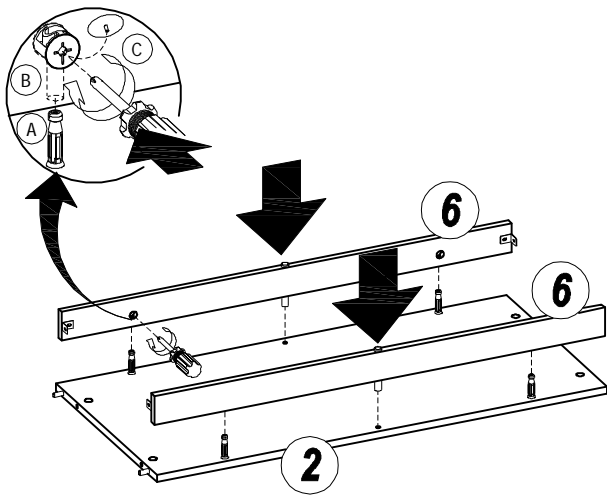


4



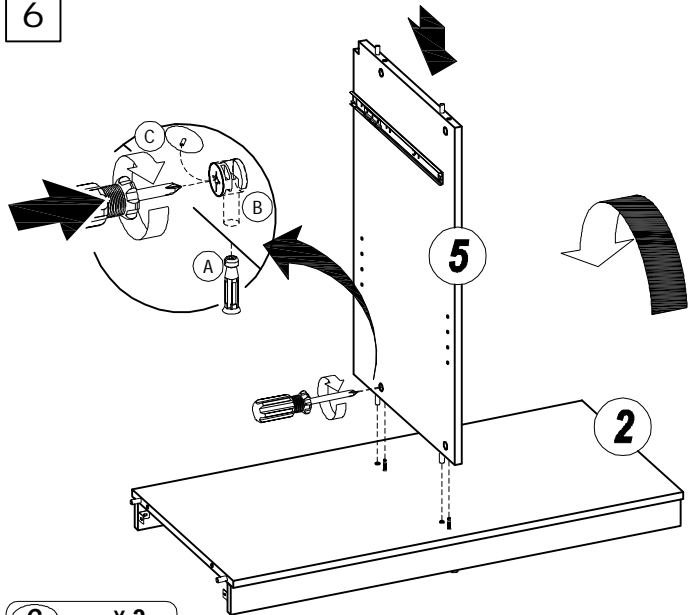
A	x 8	K	x 4	Q	x 4	T	x 1
				Ø3.5 X 16 mm			

5



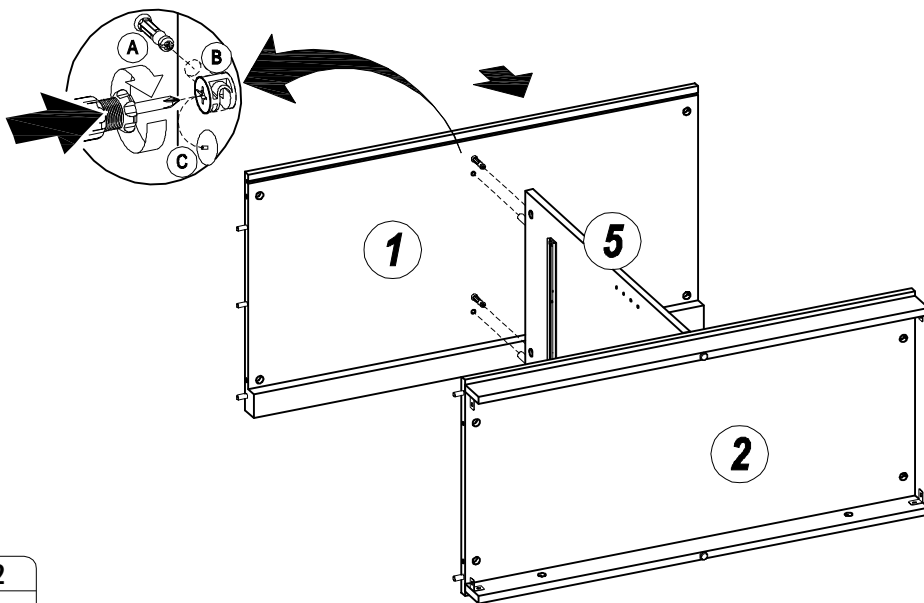
C	x 4

6

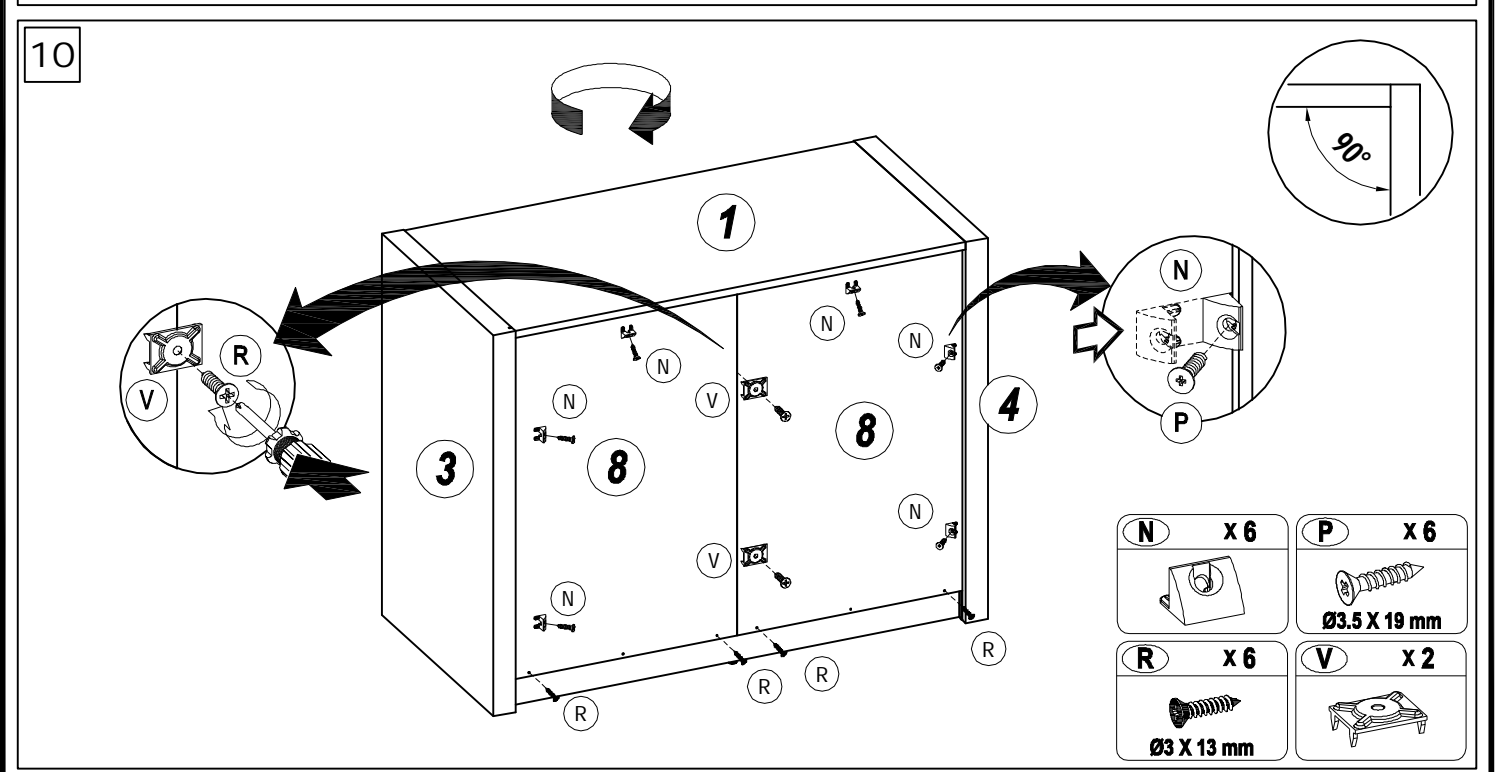
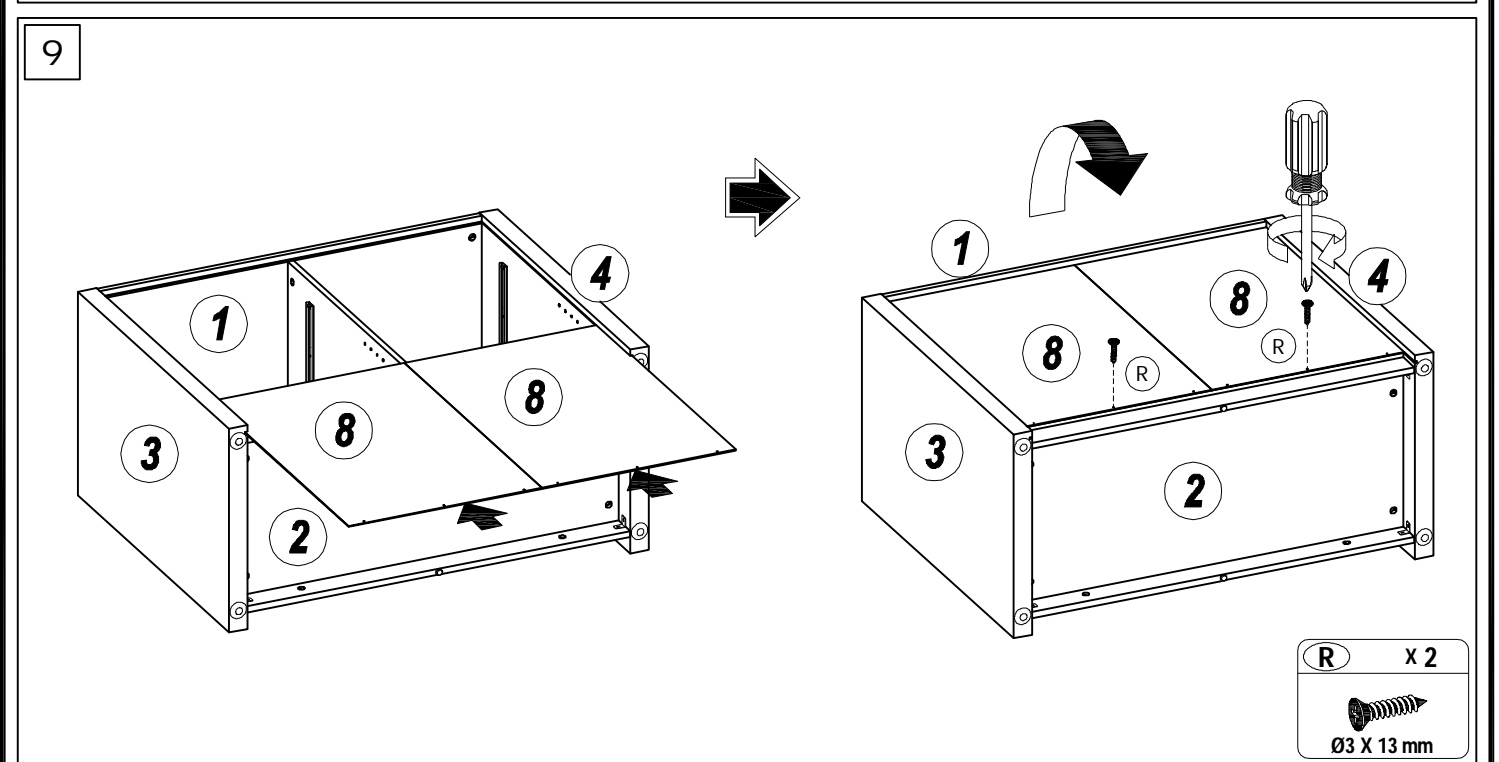
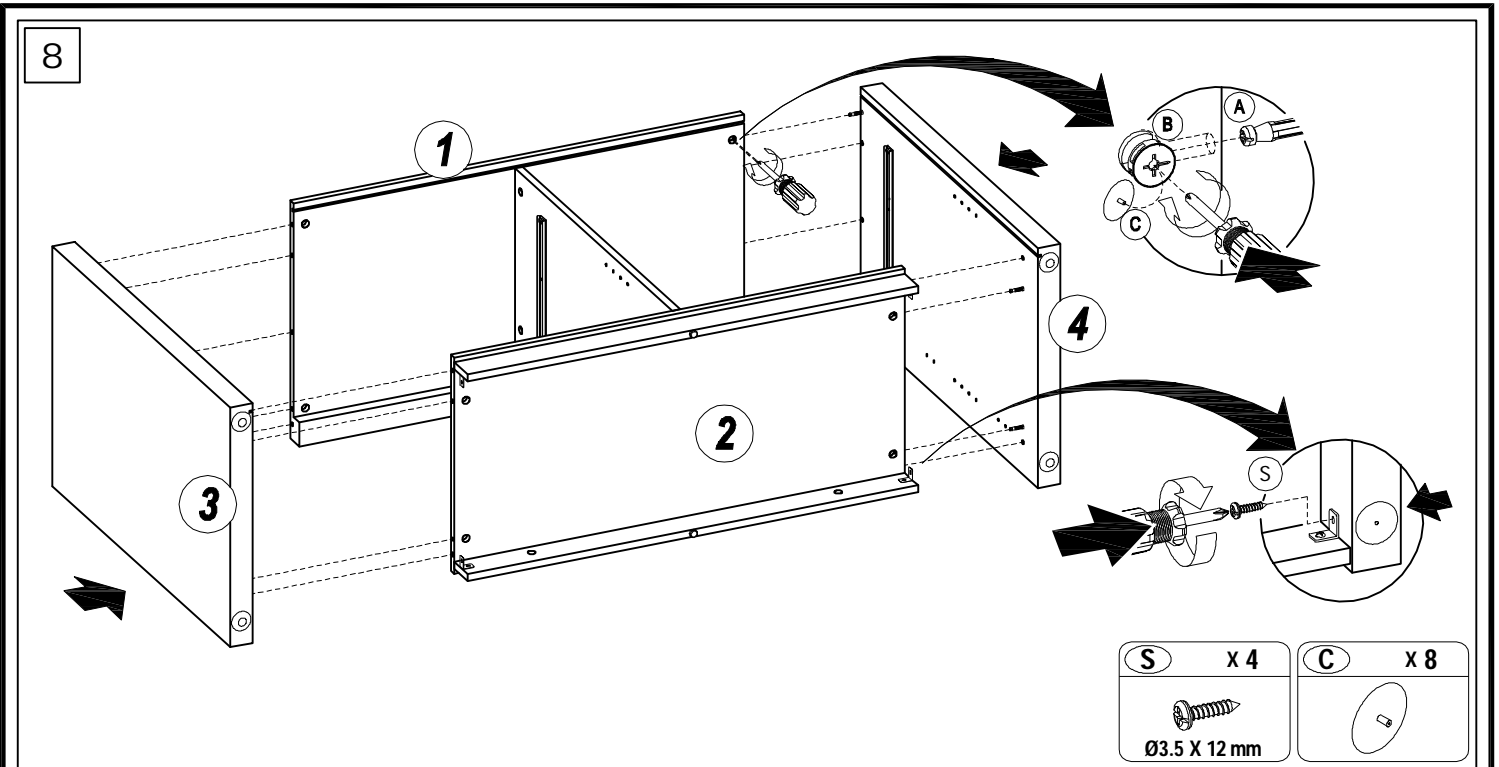


C	x 2

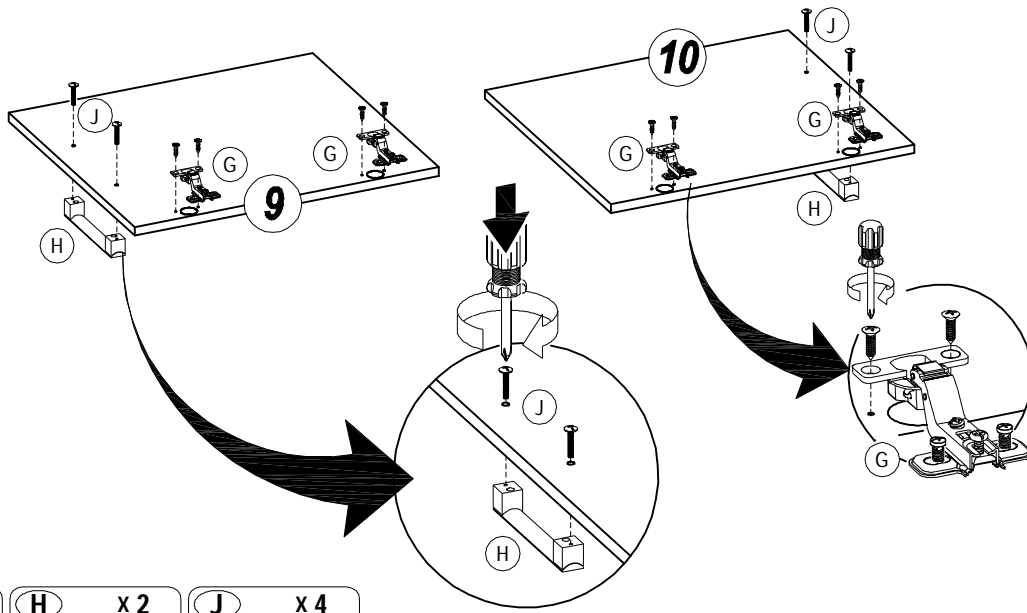
7



C	x 2

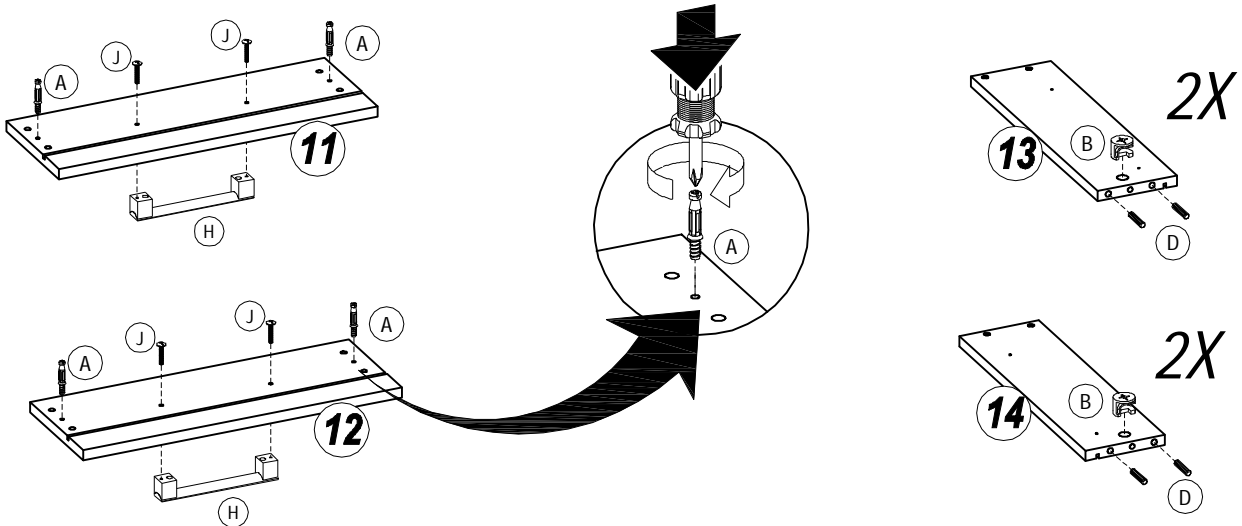


11



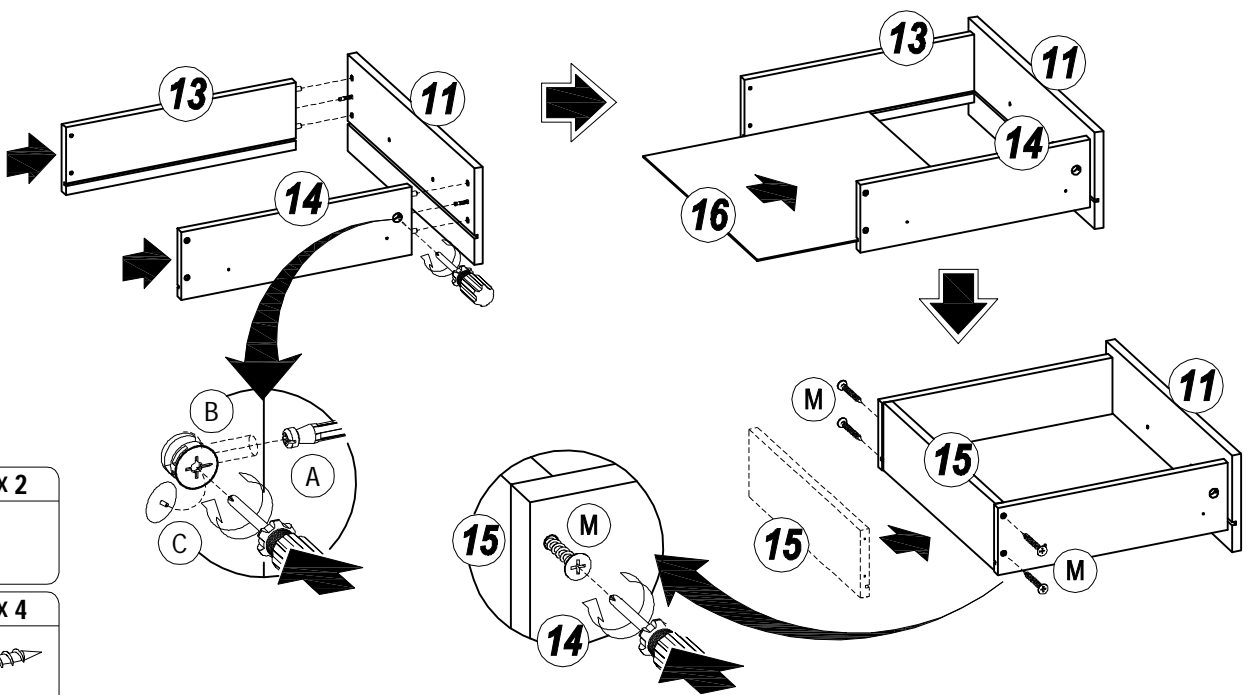
G	x 4	H	x 2	J	x 4

12



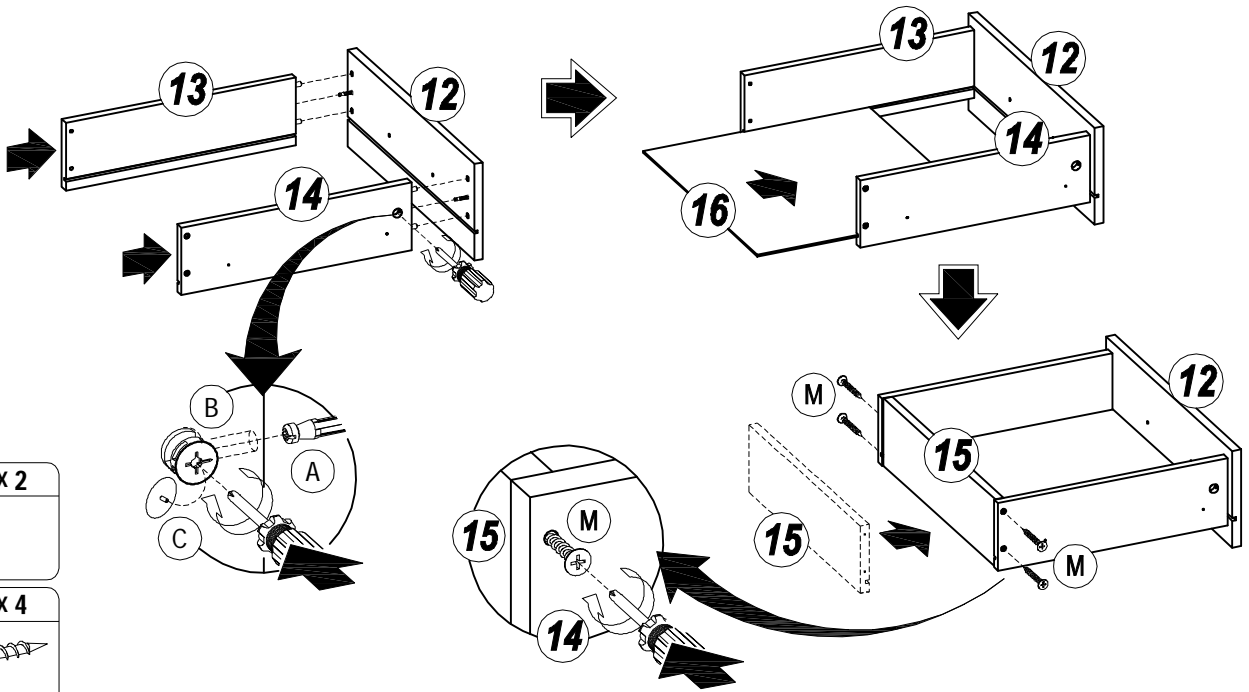
A	x 4	B	x 4	D	x 8	H	x 2	J	x 4

13



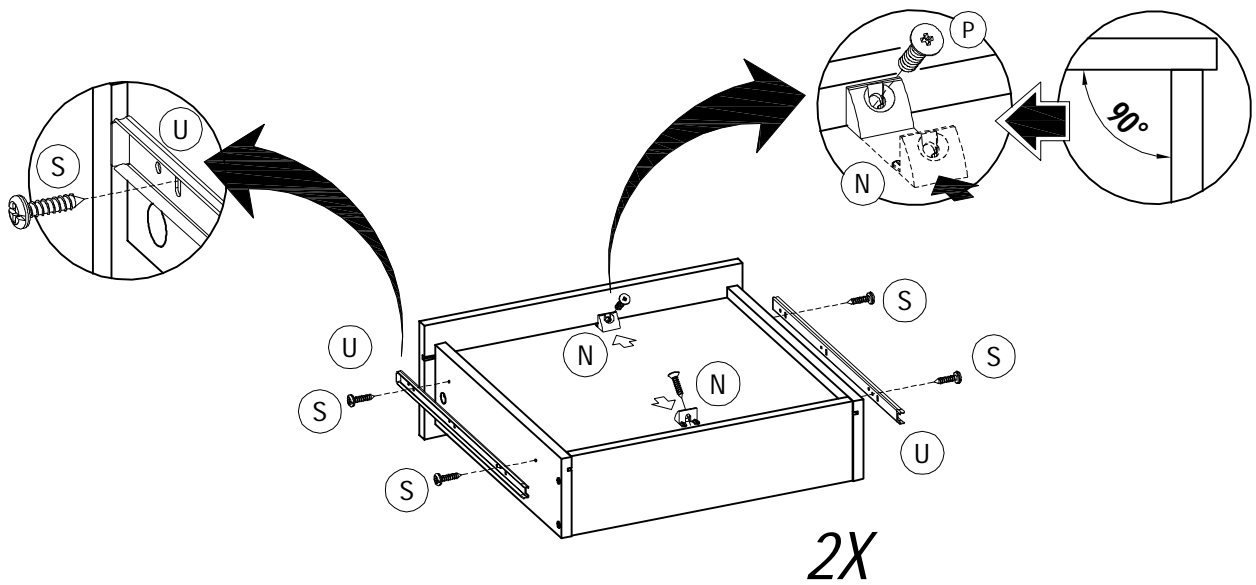
C	x 2
M	x 4

14



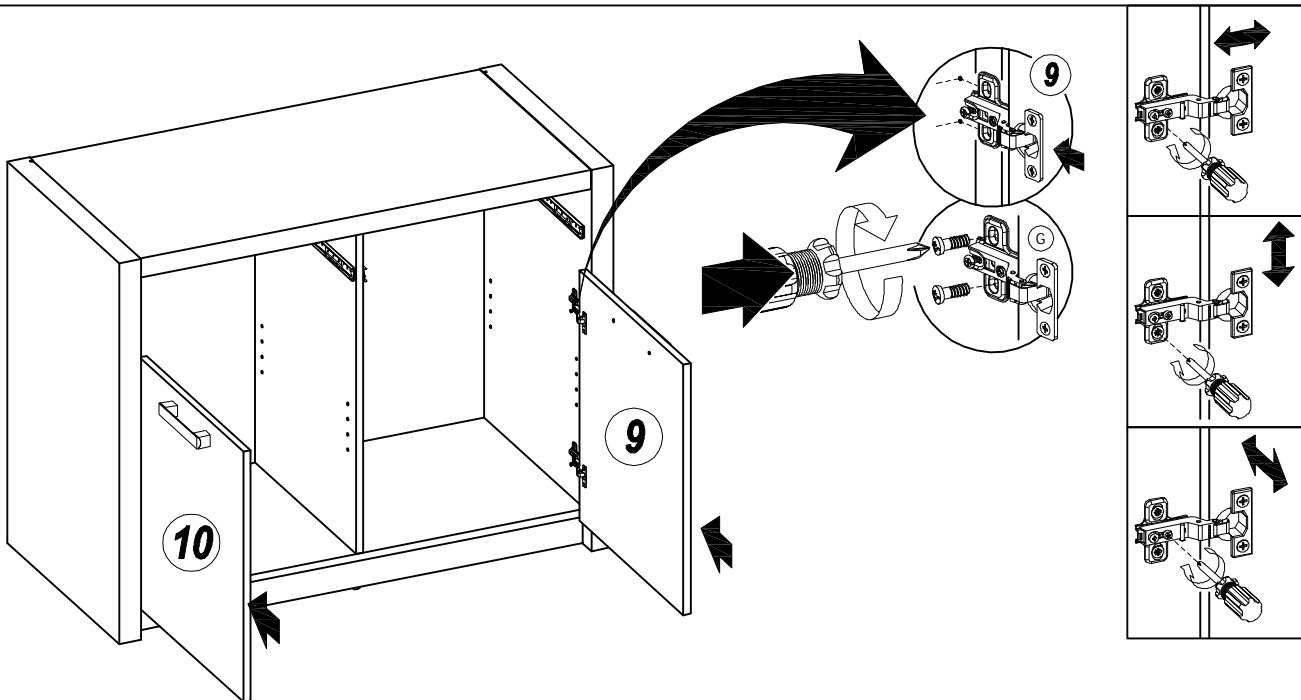
- C** x 2
- M** x 4

15

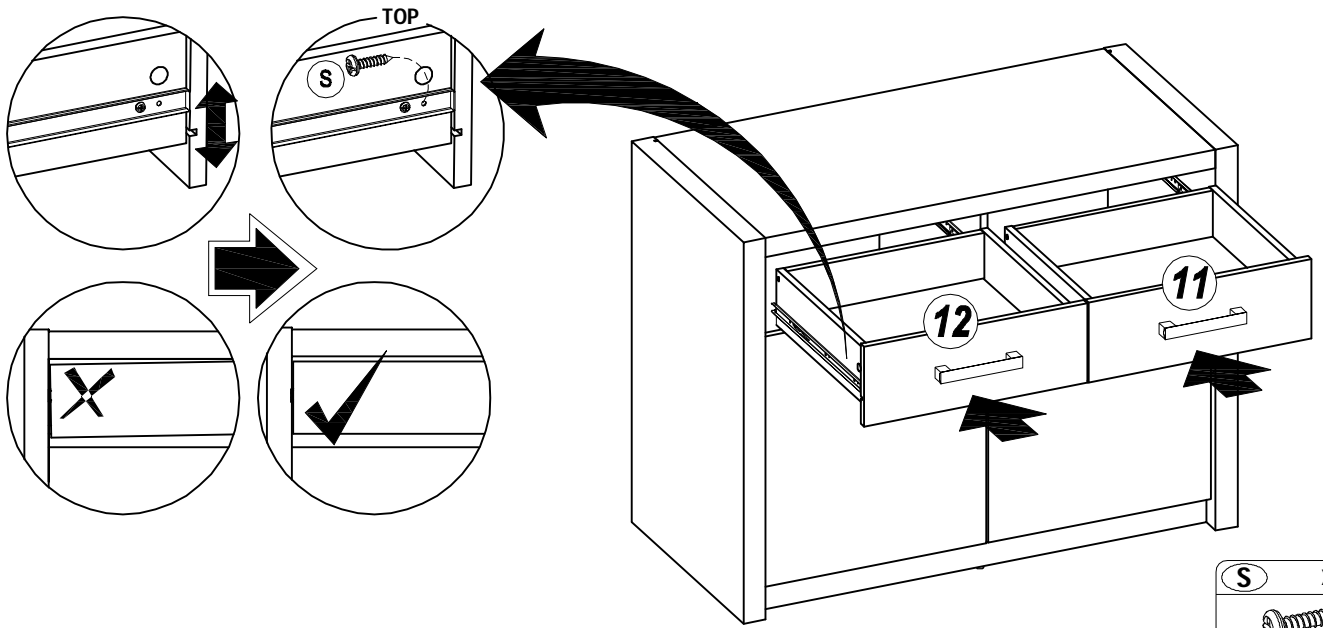


- N** x 4
- P** x 4
Ø3.5 X 19 mm
- S** x 8
Ø3.5 X 12 mm
- U** x 2

16

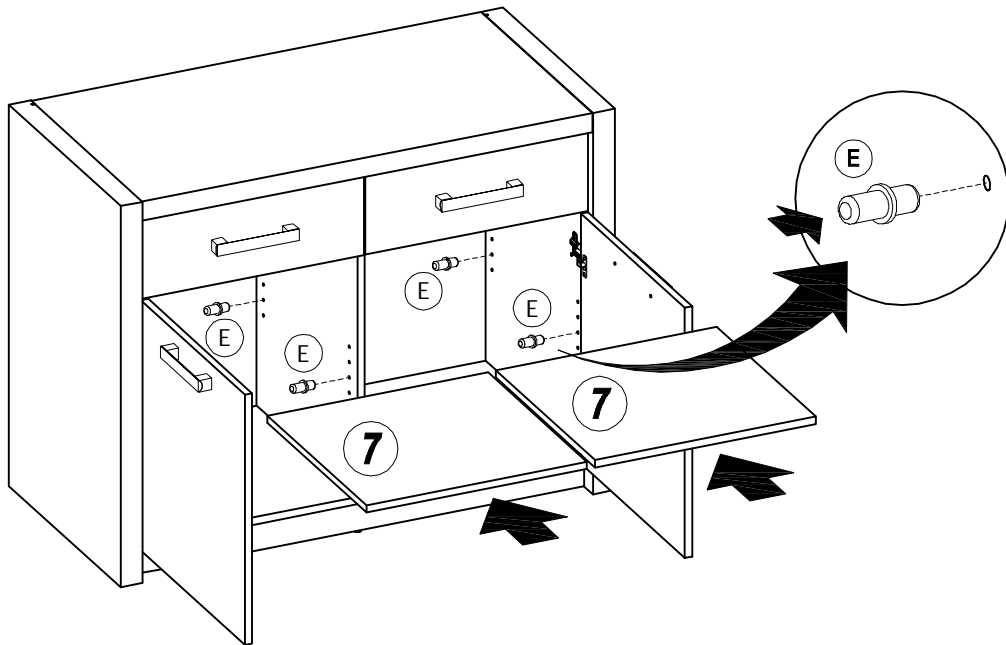


17



S x 4
Ø3.5 X 12 mm

18



E x 8

19

