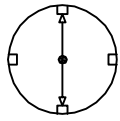
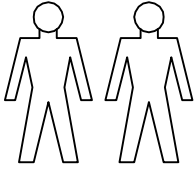
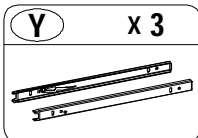
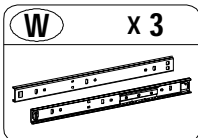
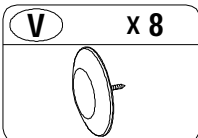
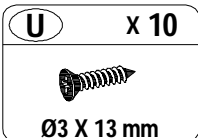
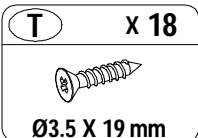
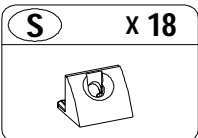
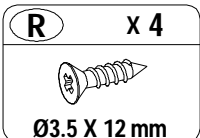
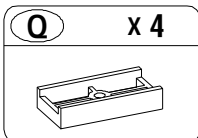
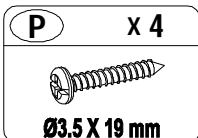
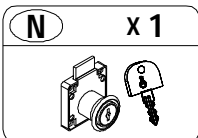
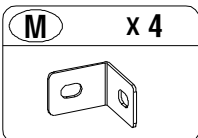
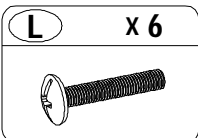
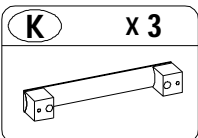
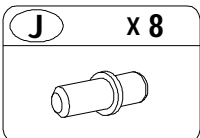
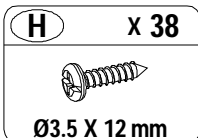
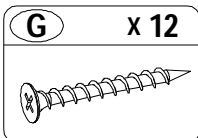
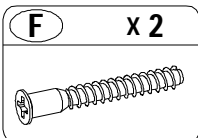
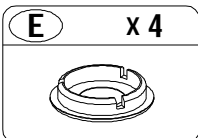
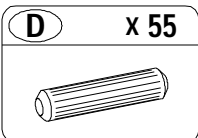
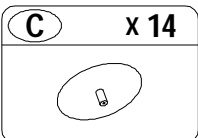
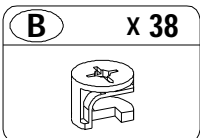
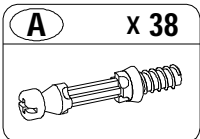
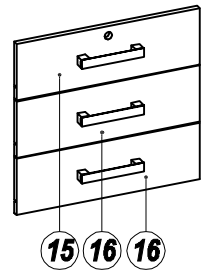
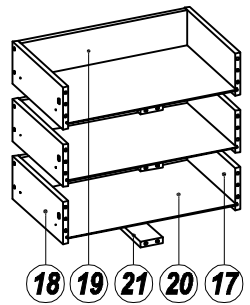
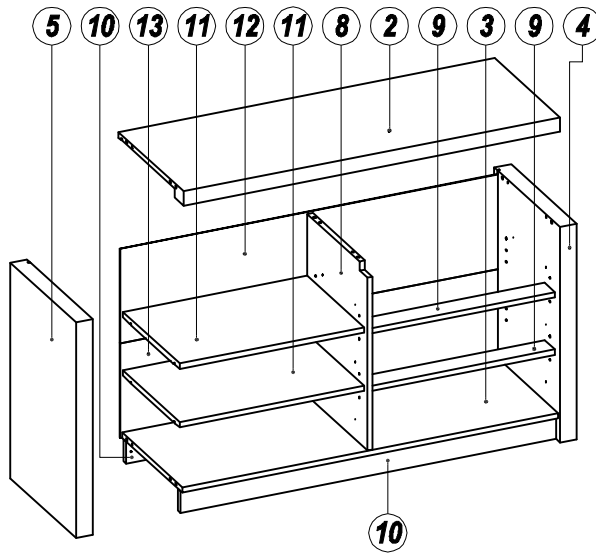
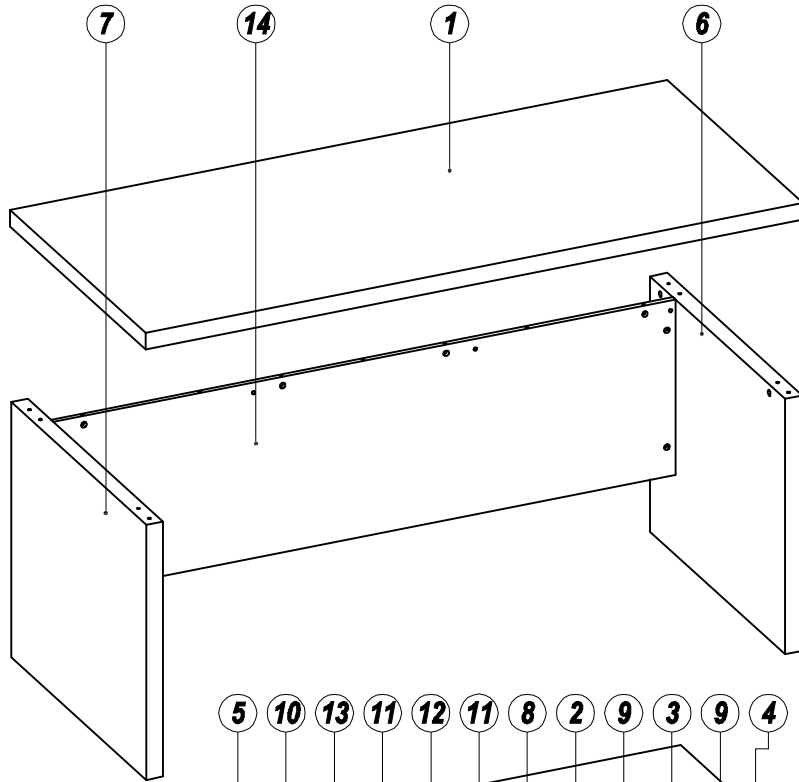
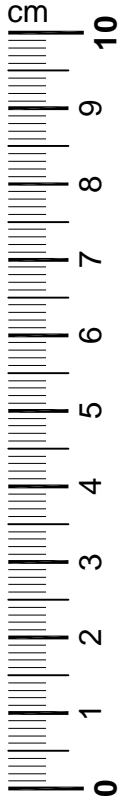
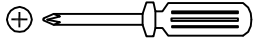
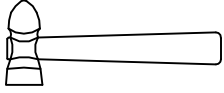
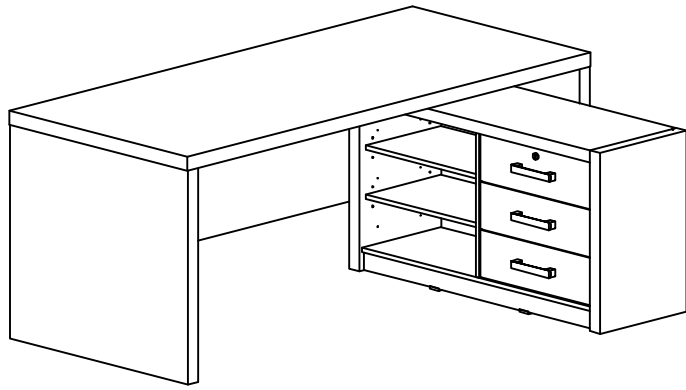


# BNDC 180

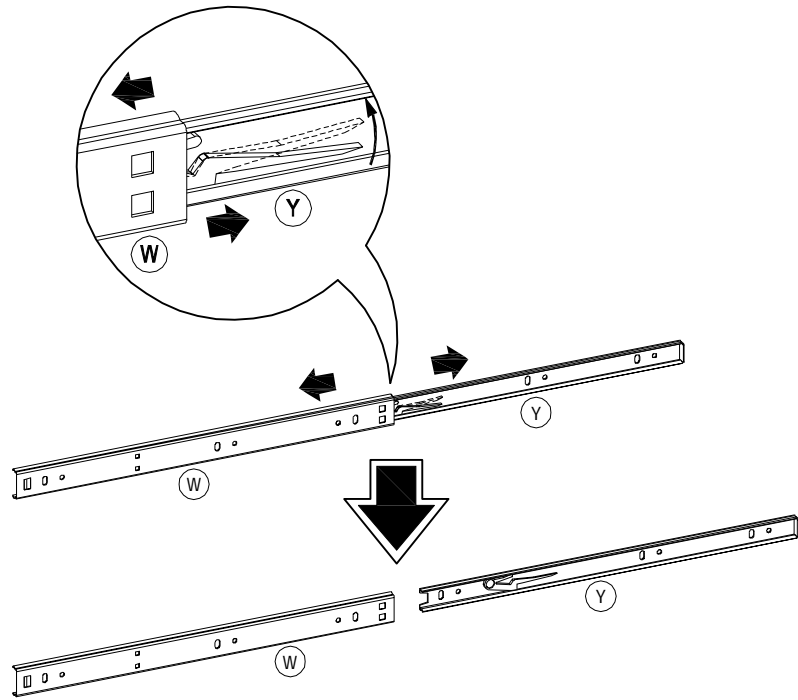


**90**  
MNT

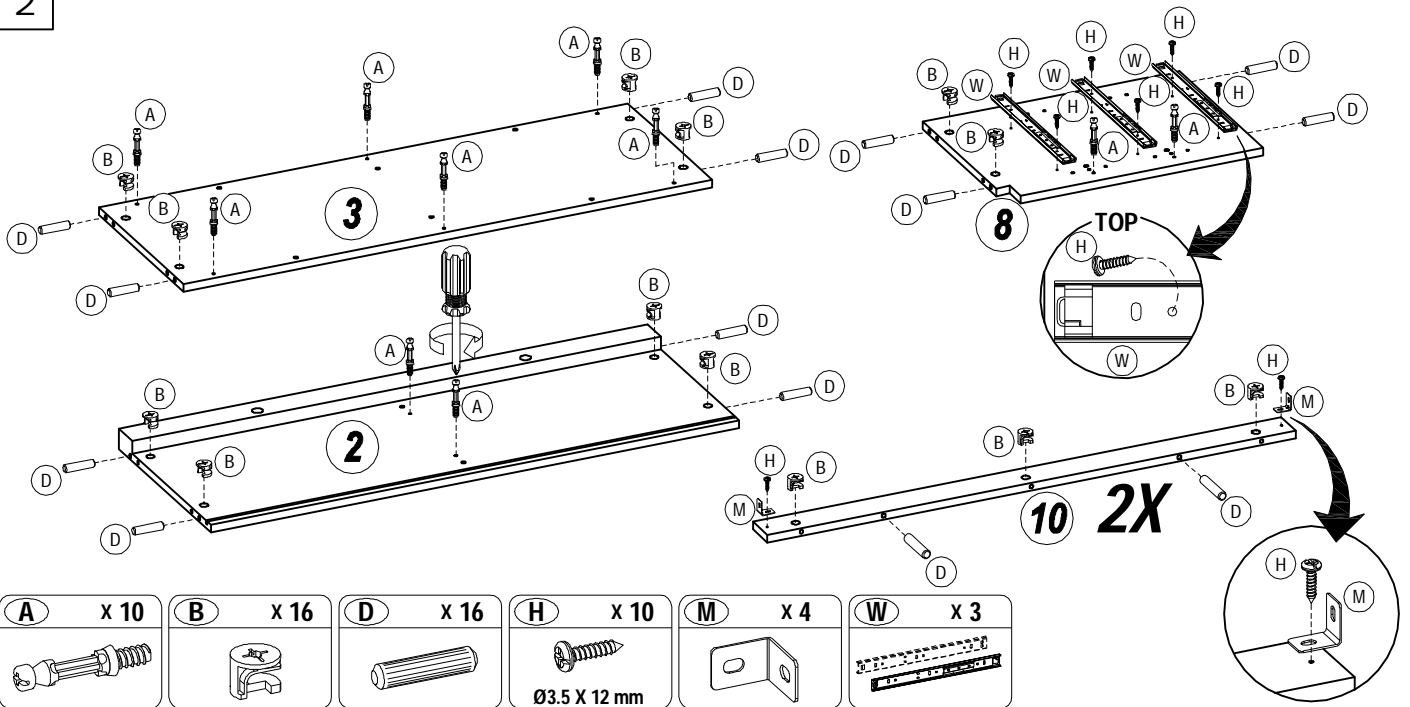


1

**3X**

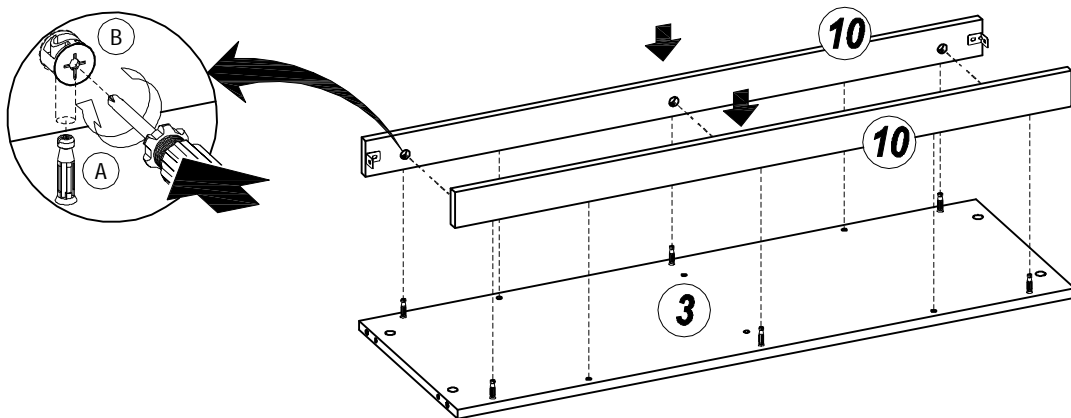


2

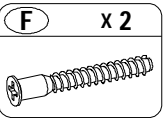
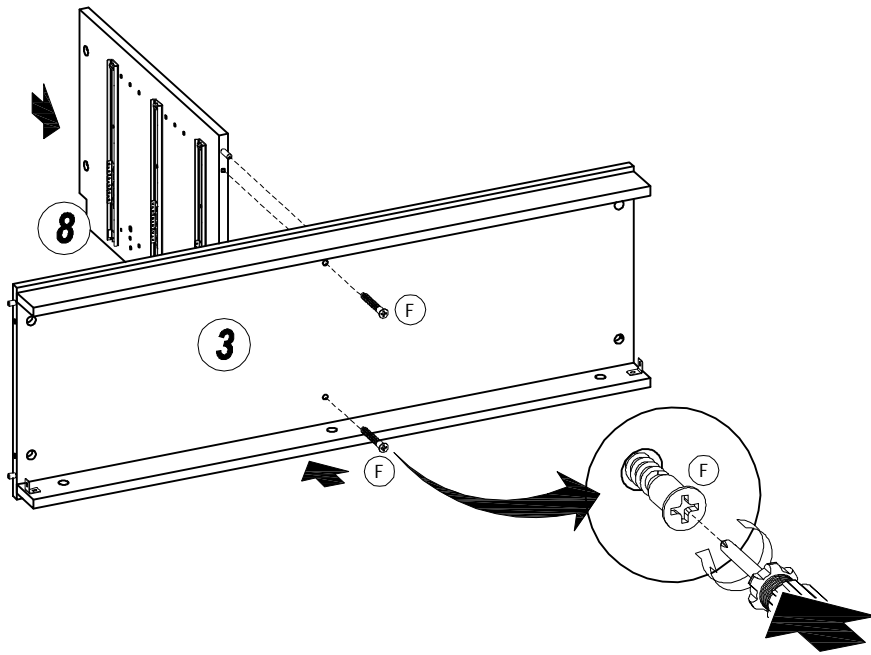


<b>A</b> x 10	<b>B</b> x 16	<b>D</b> x 16	<b>H</b> x 10	<b>M</b> x 4	<b>W</b> x 3
			 Ø3.5 X 12 mm		

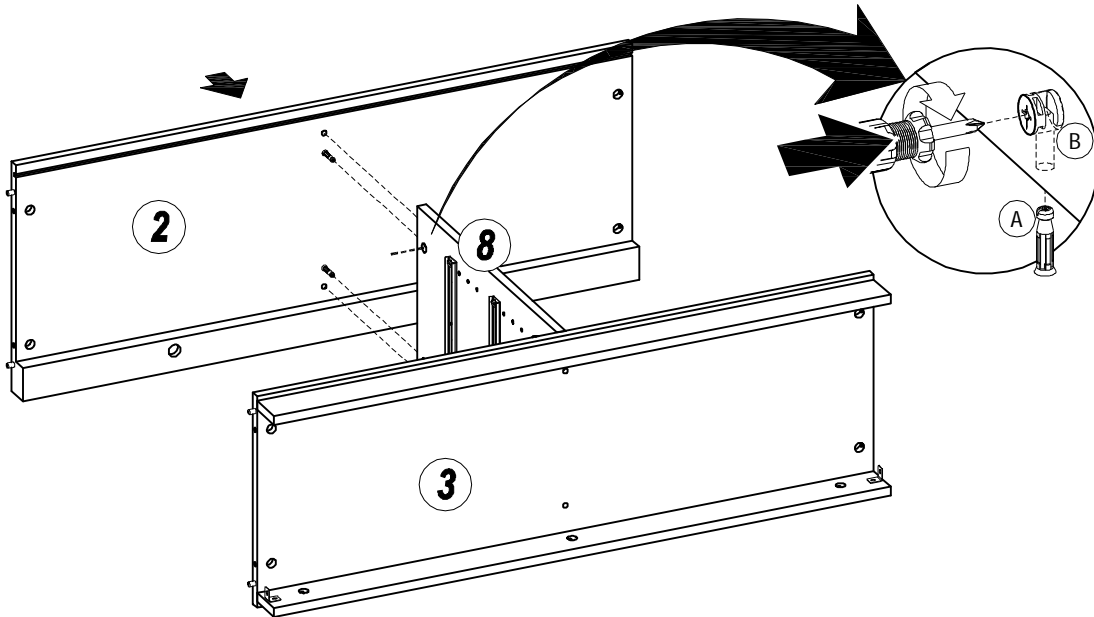
3



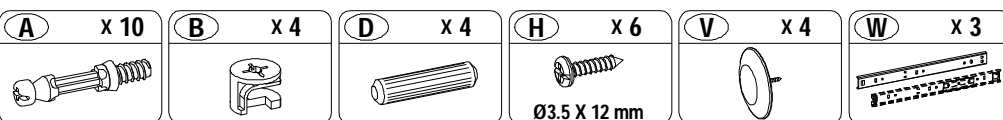
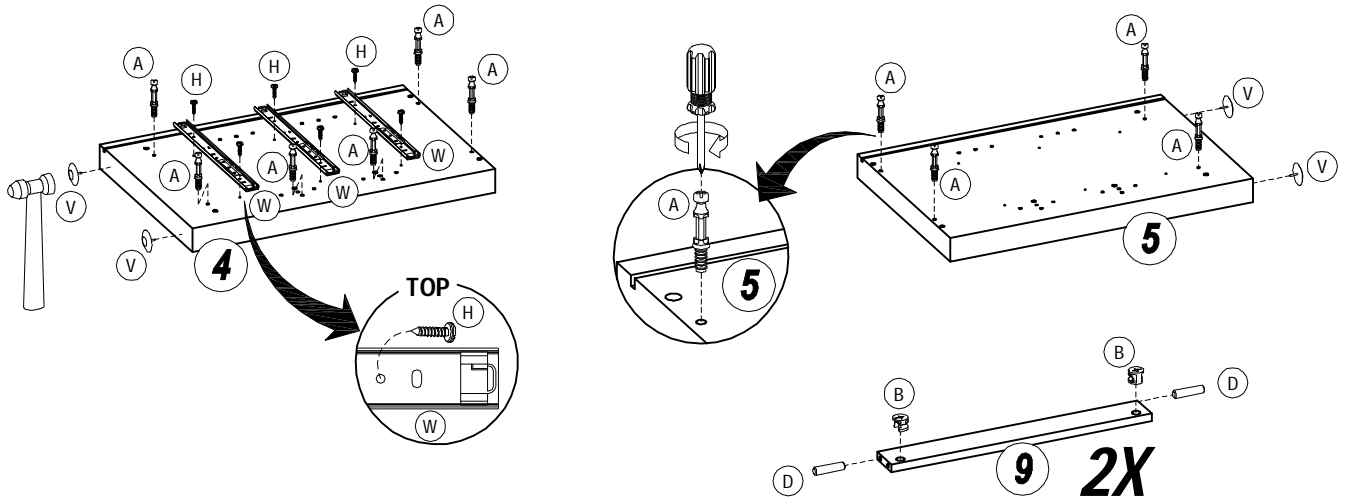
4



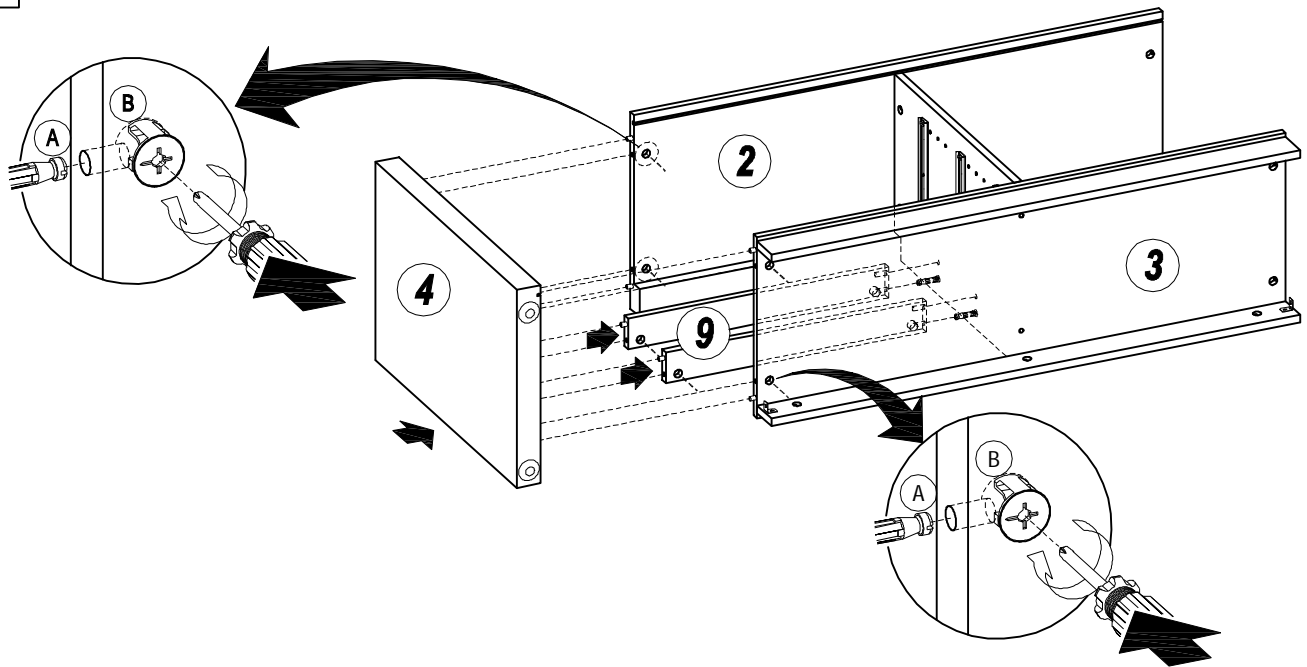
5



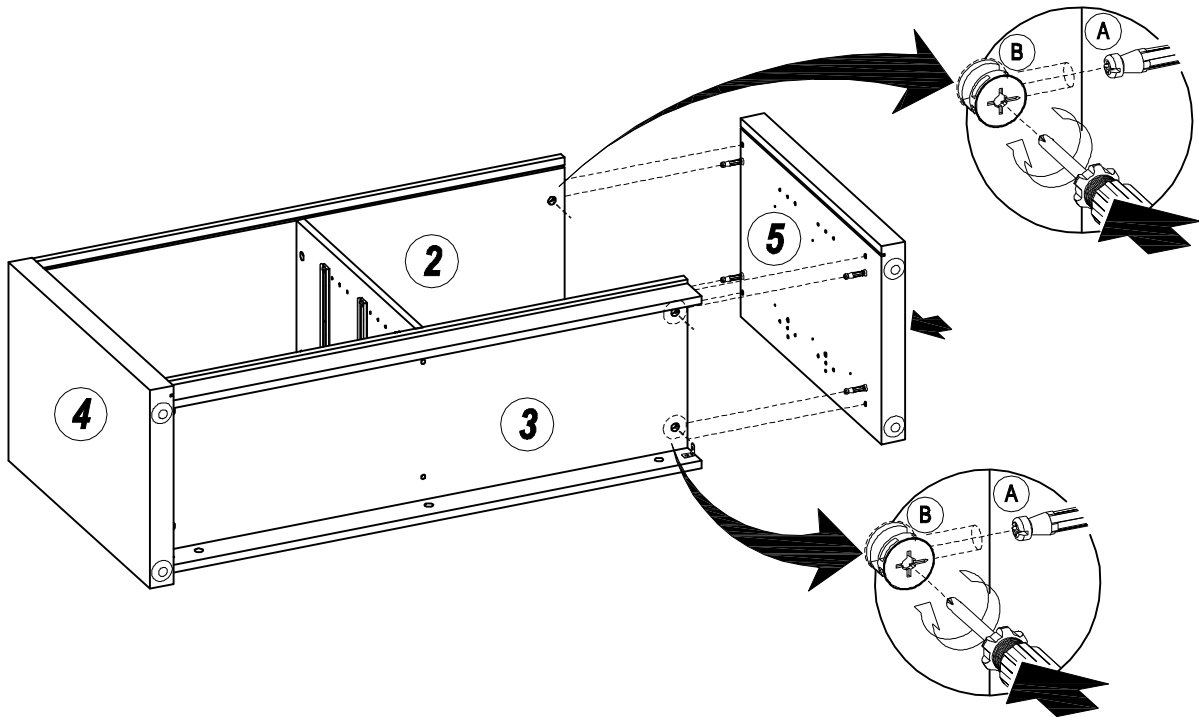
6



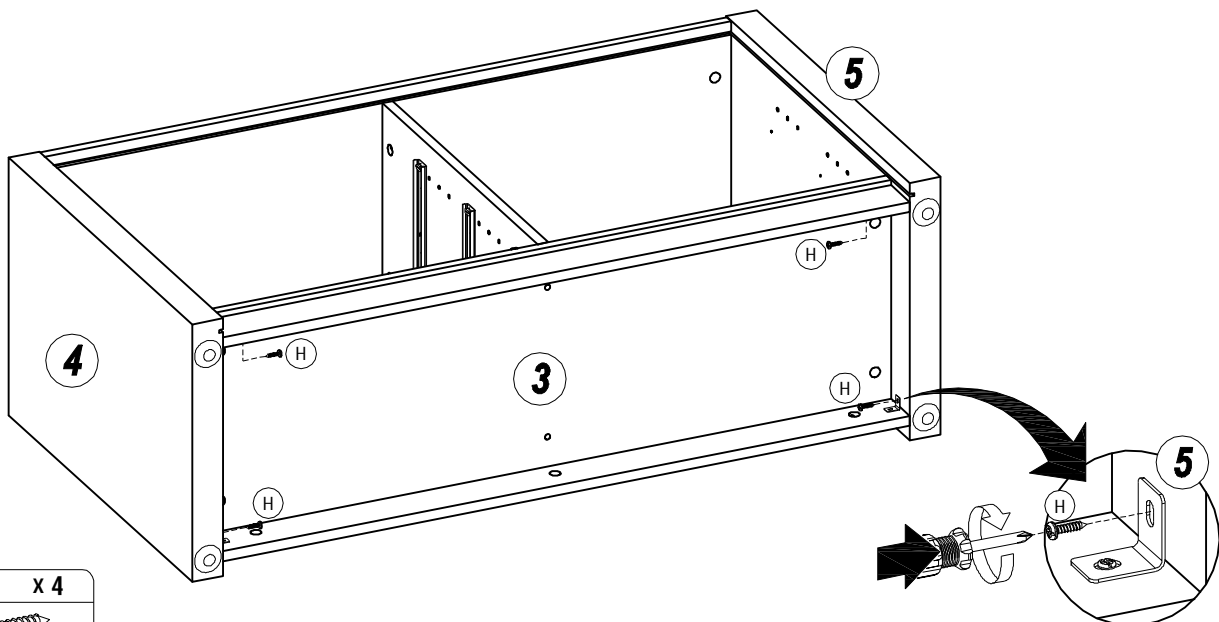
7

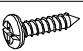


8

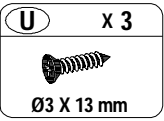
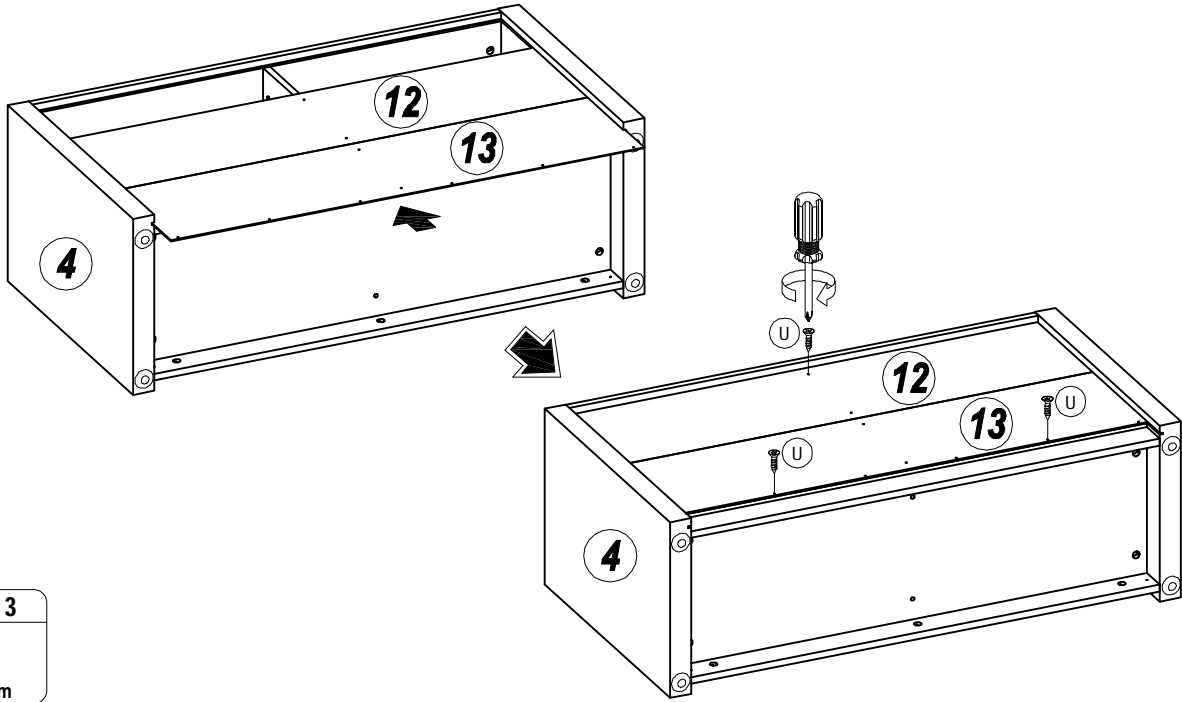


9

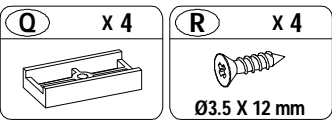
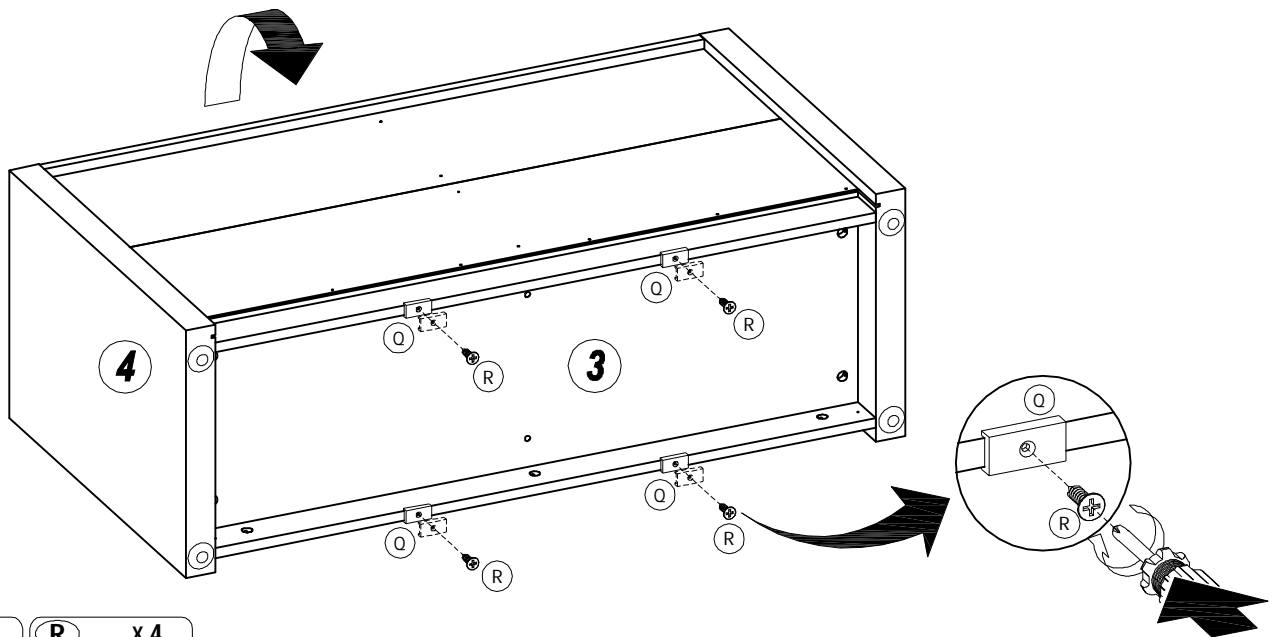


(H) x 4  
  
 Ø3.5 X 12 mm

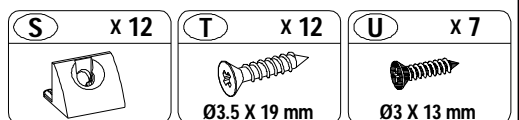
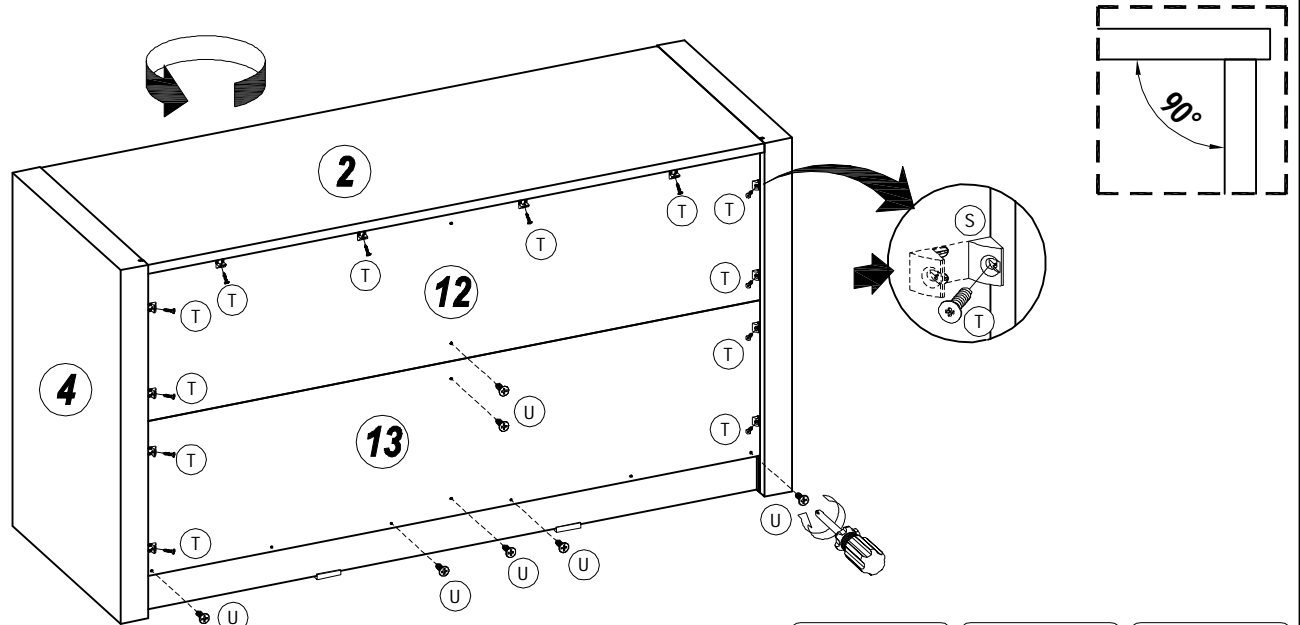
10

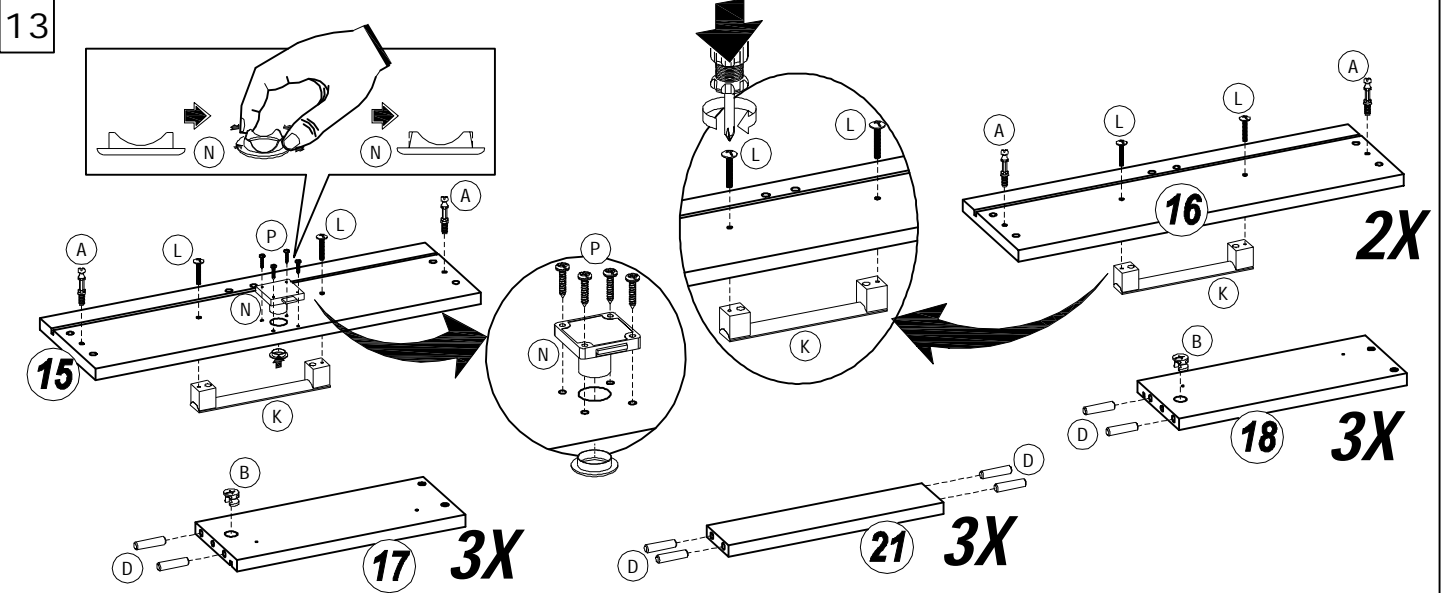


11

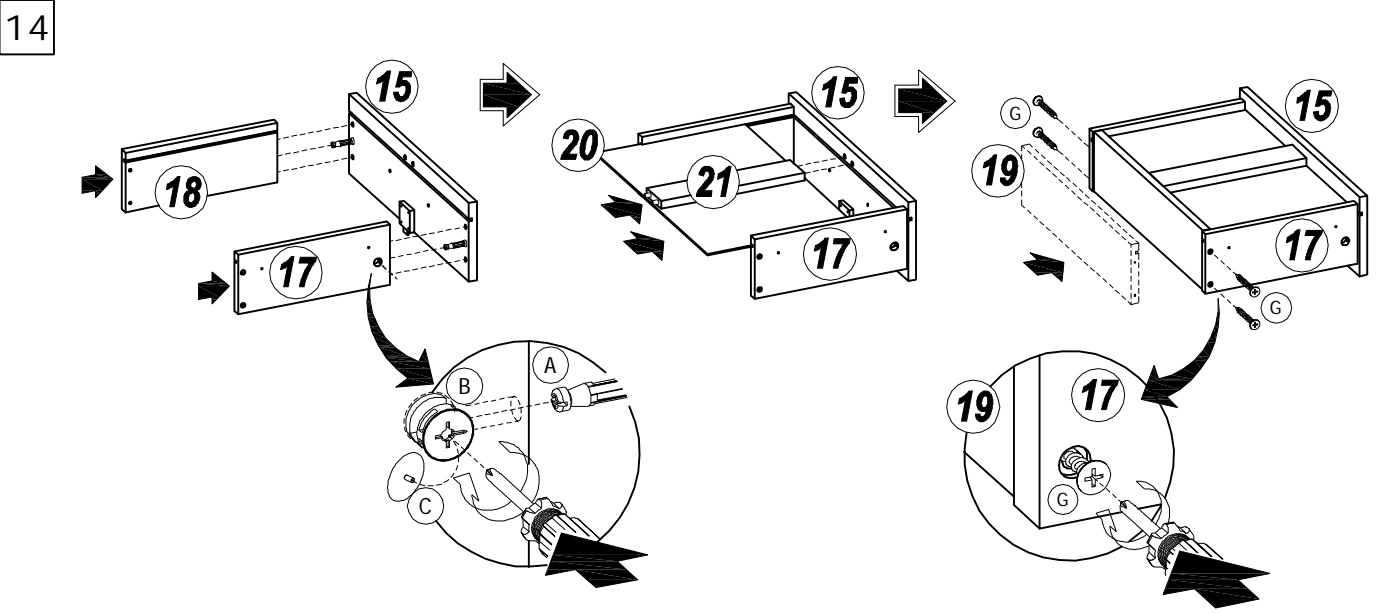


12

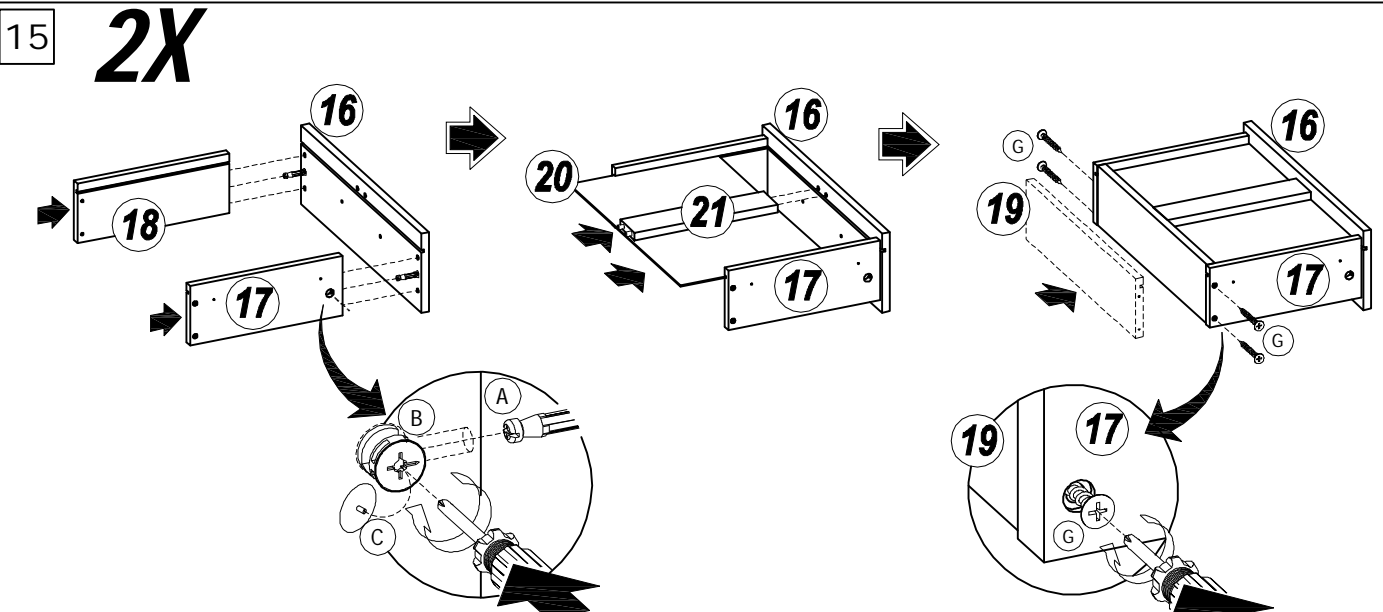




<b>A</b> x 6	<b>B</b> x 6	<b>D</b> x 24	<b>K</b> x 3	<b>L</b> x 6	<b>N</b> x 1	<b>P</b> x 4
						Ø3.5 X 19 mm

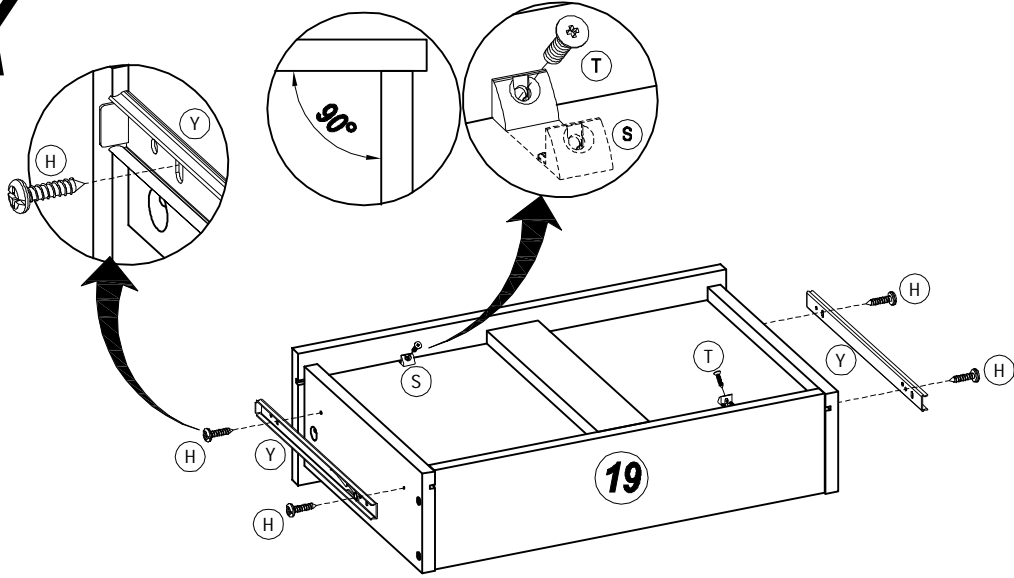




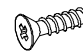

<b>C</b> x 2	<b>G</b> x 4



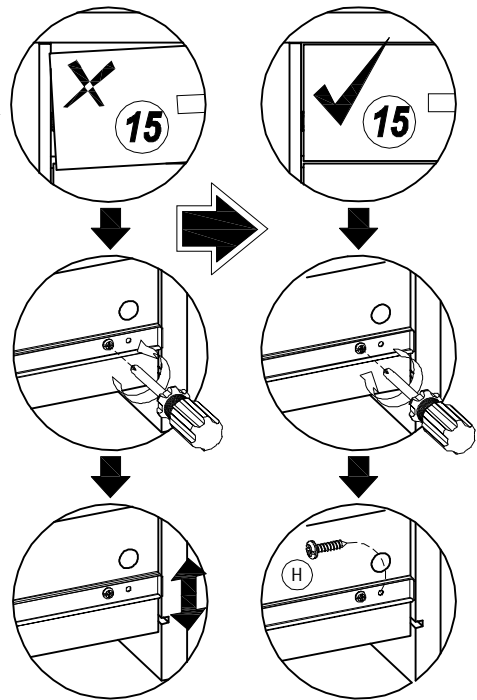
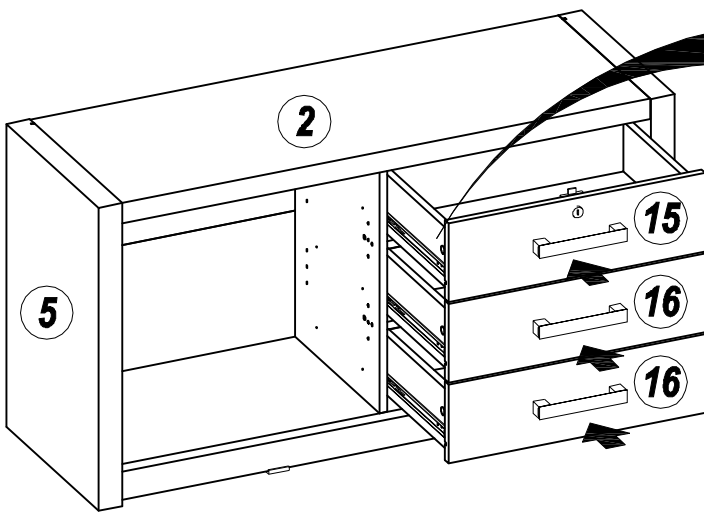
<b>C</b> x 4	<b>G</b> x 8


16 **3X**



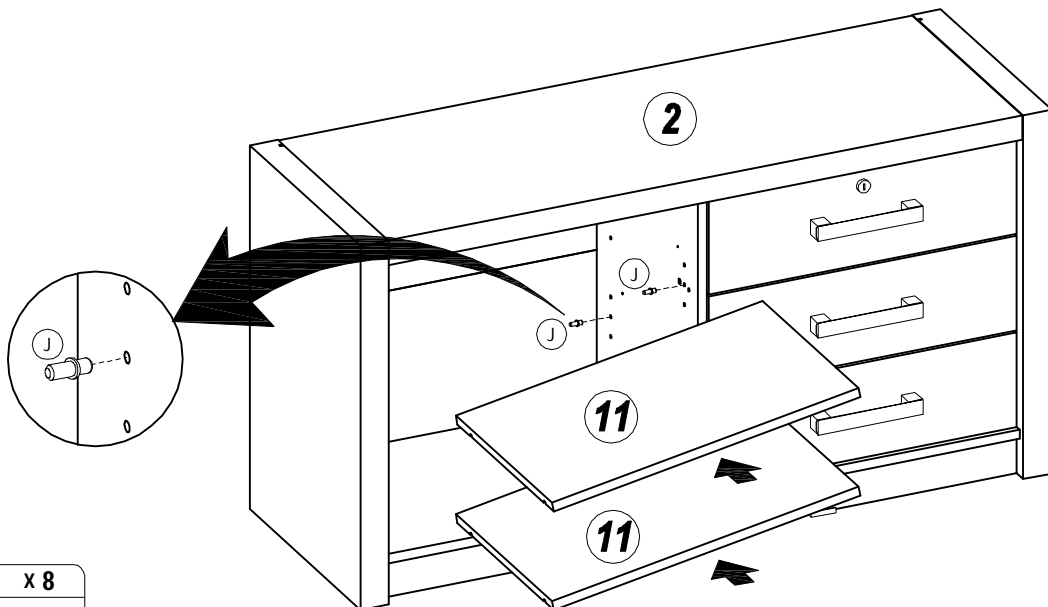
<b>H</b> x 12	<b>S</b> x 6	<b>T</b> x 6	<b>Y</b> x 3
			
Ø3.5 X 12 mm		Ø3.5 X 19 mm	


17



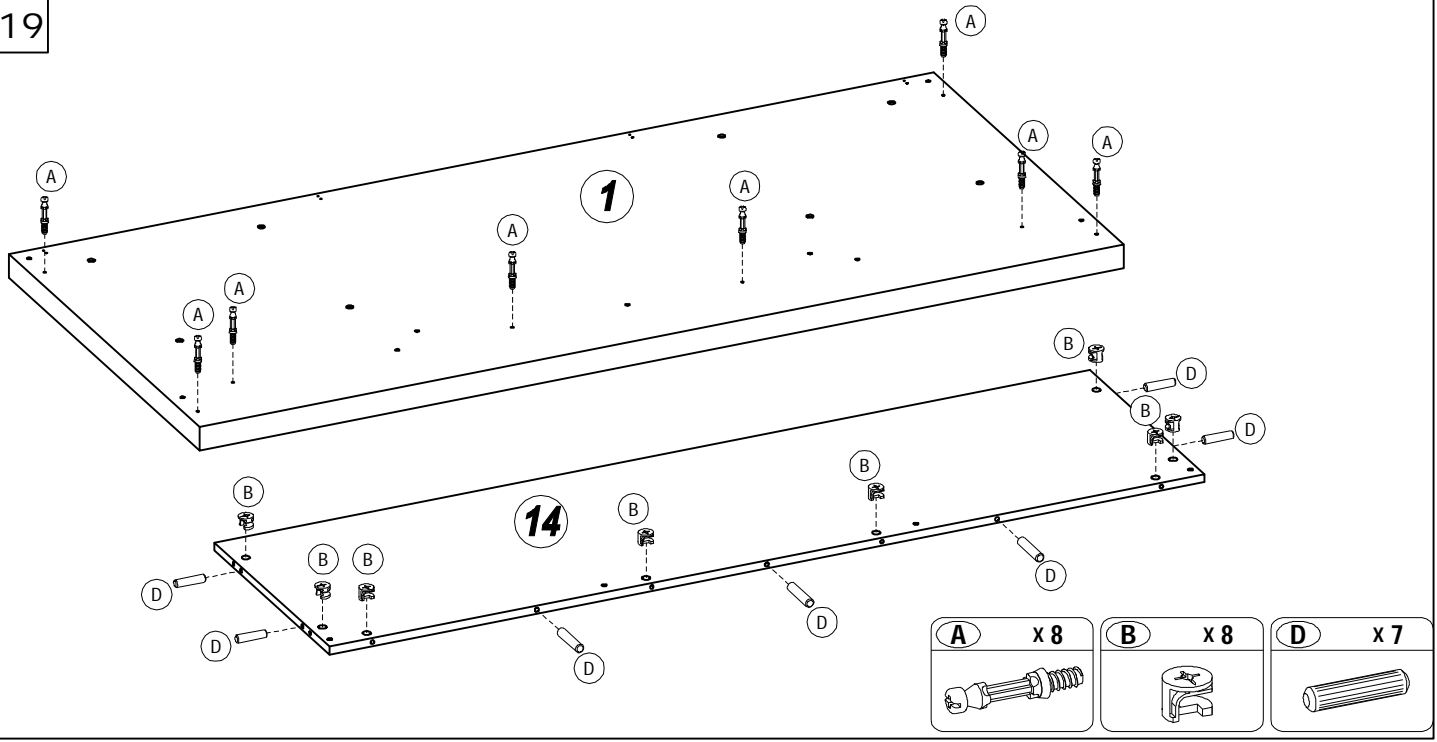
<b>H</b> x 6

Ø3.5 X 12 mm

18

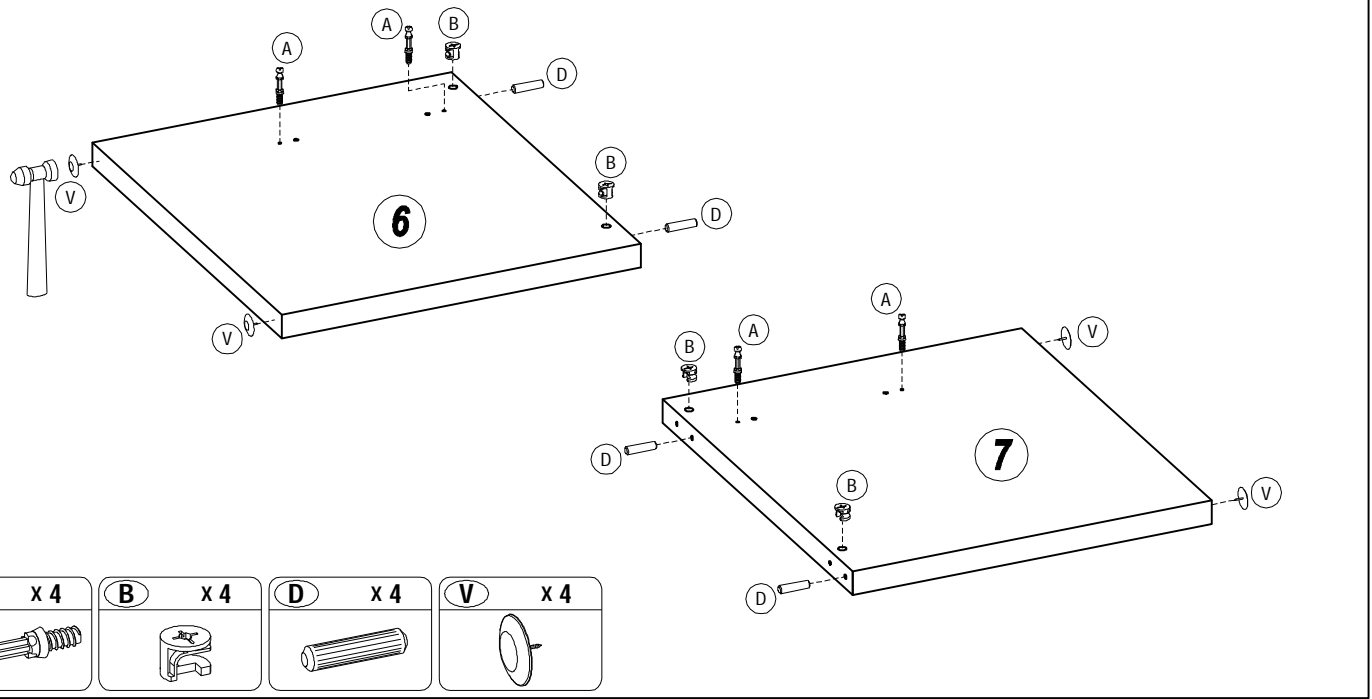


<b>J</b> x 8


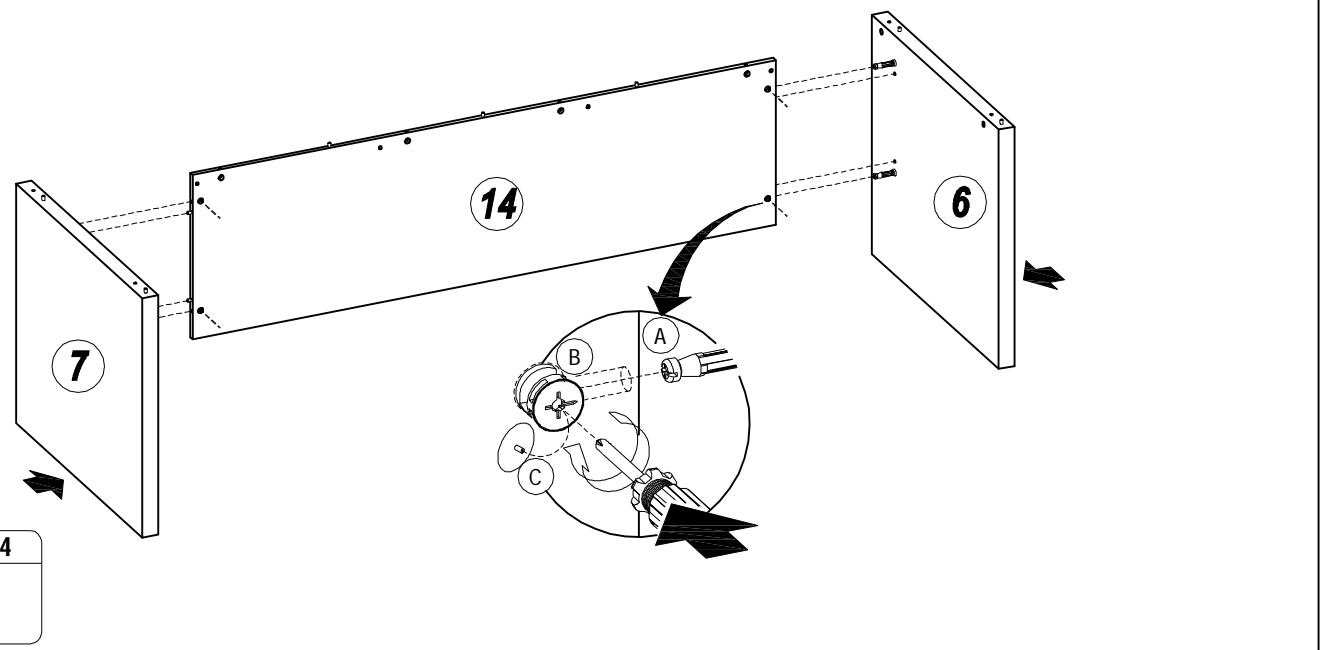
19



20

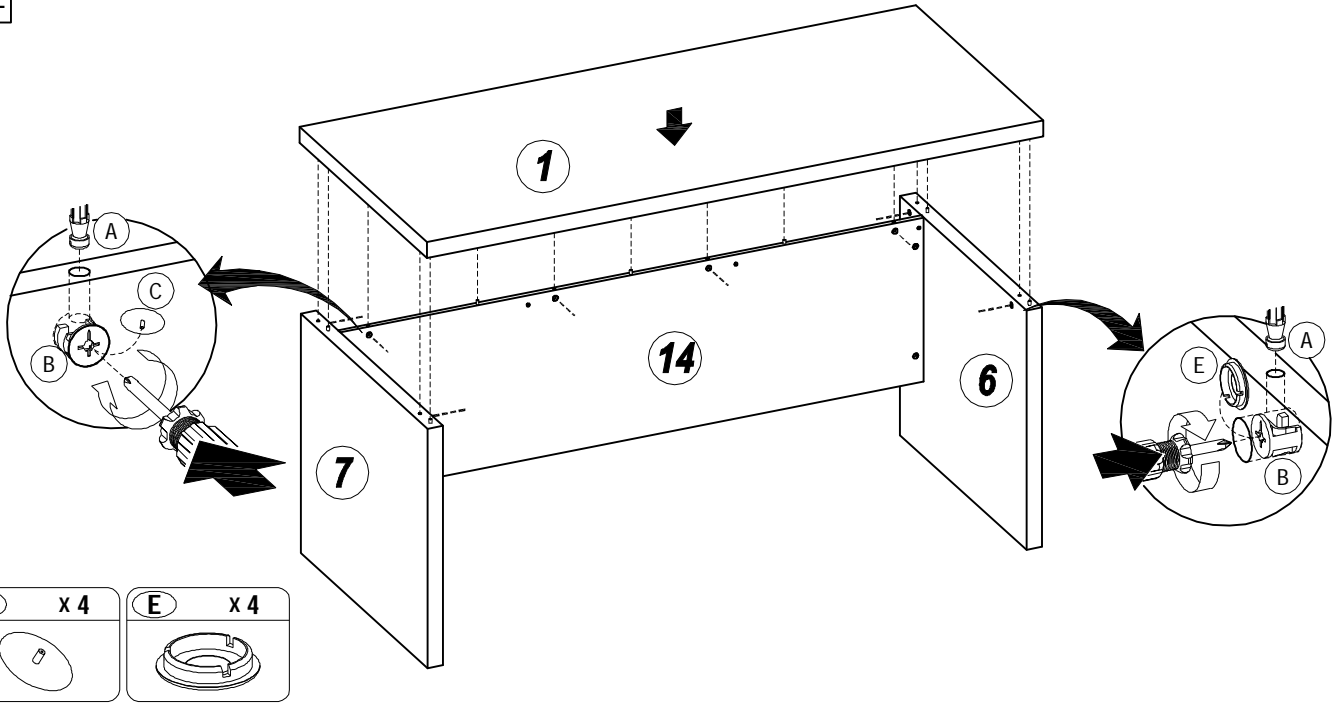


21

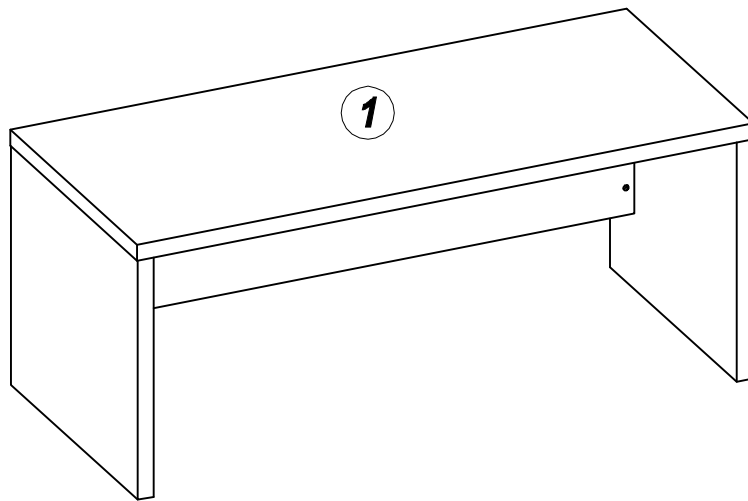




22



23



24

