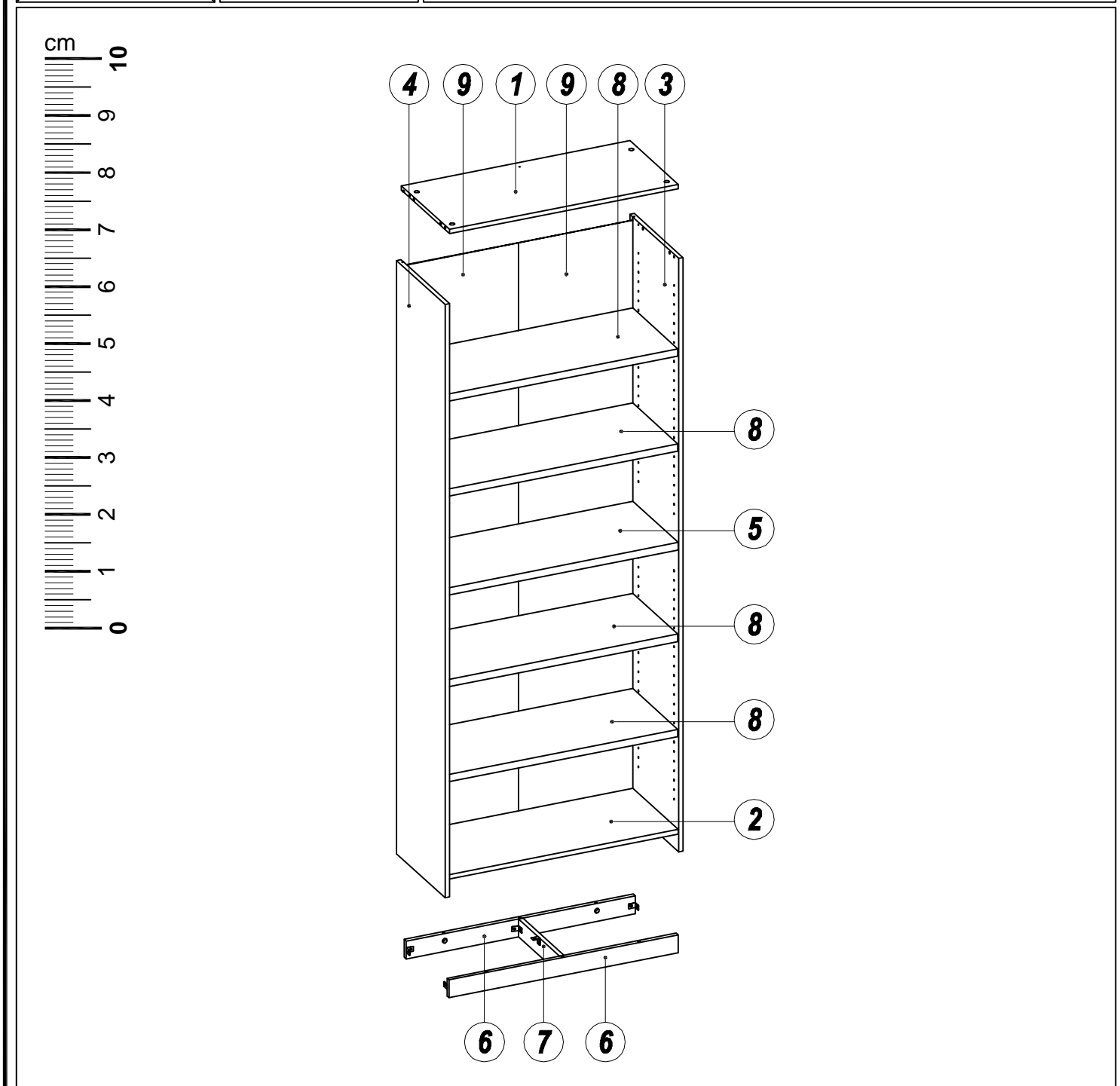
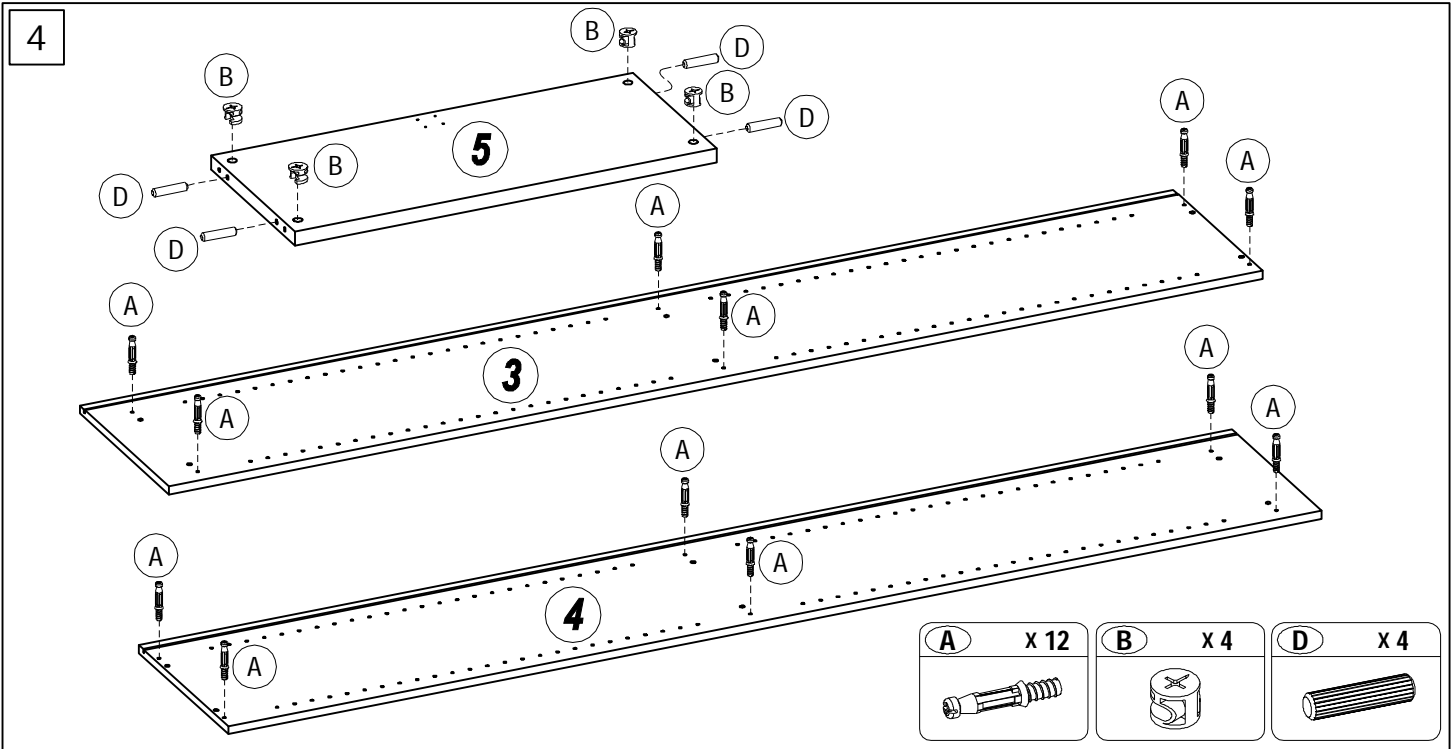
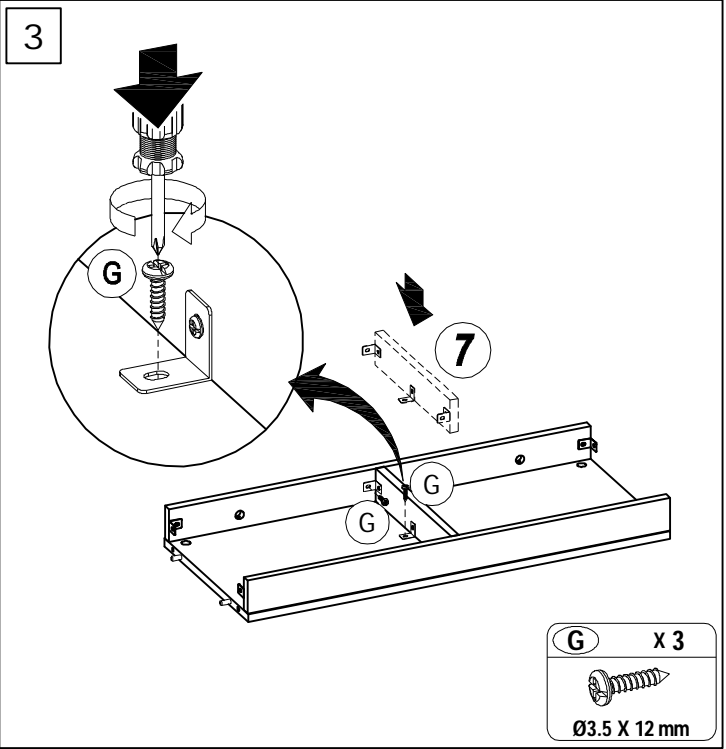
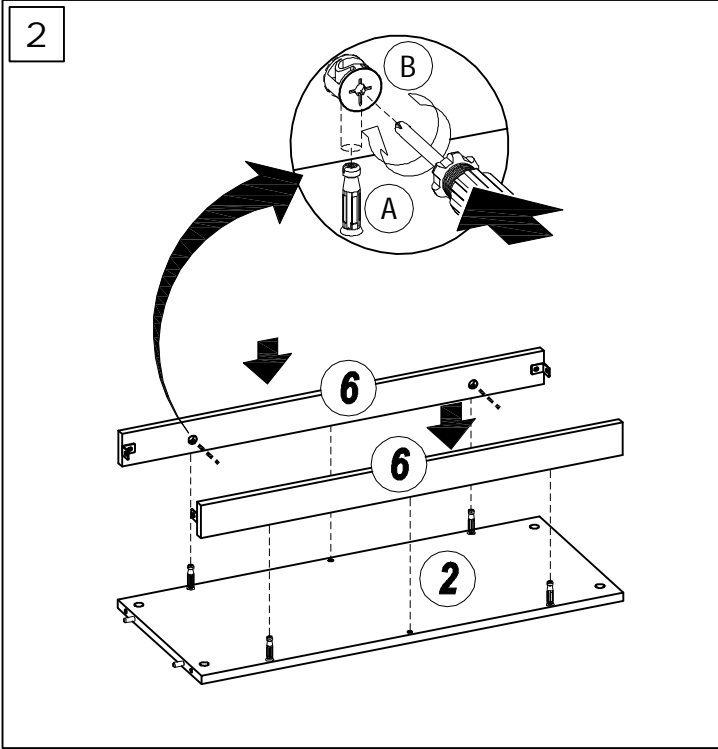
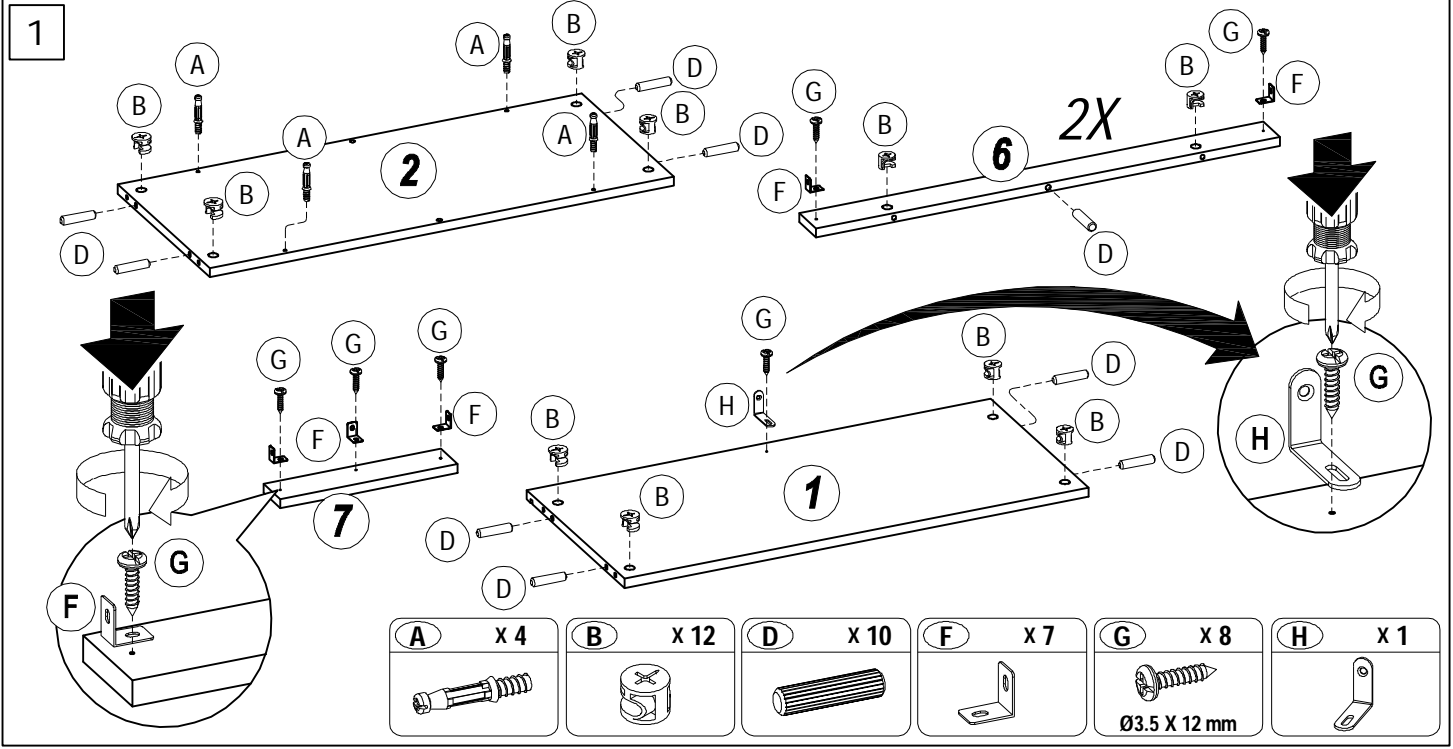
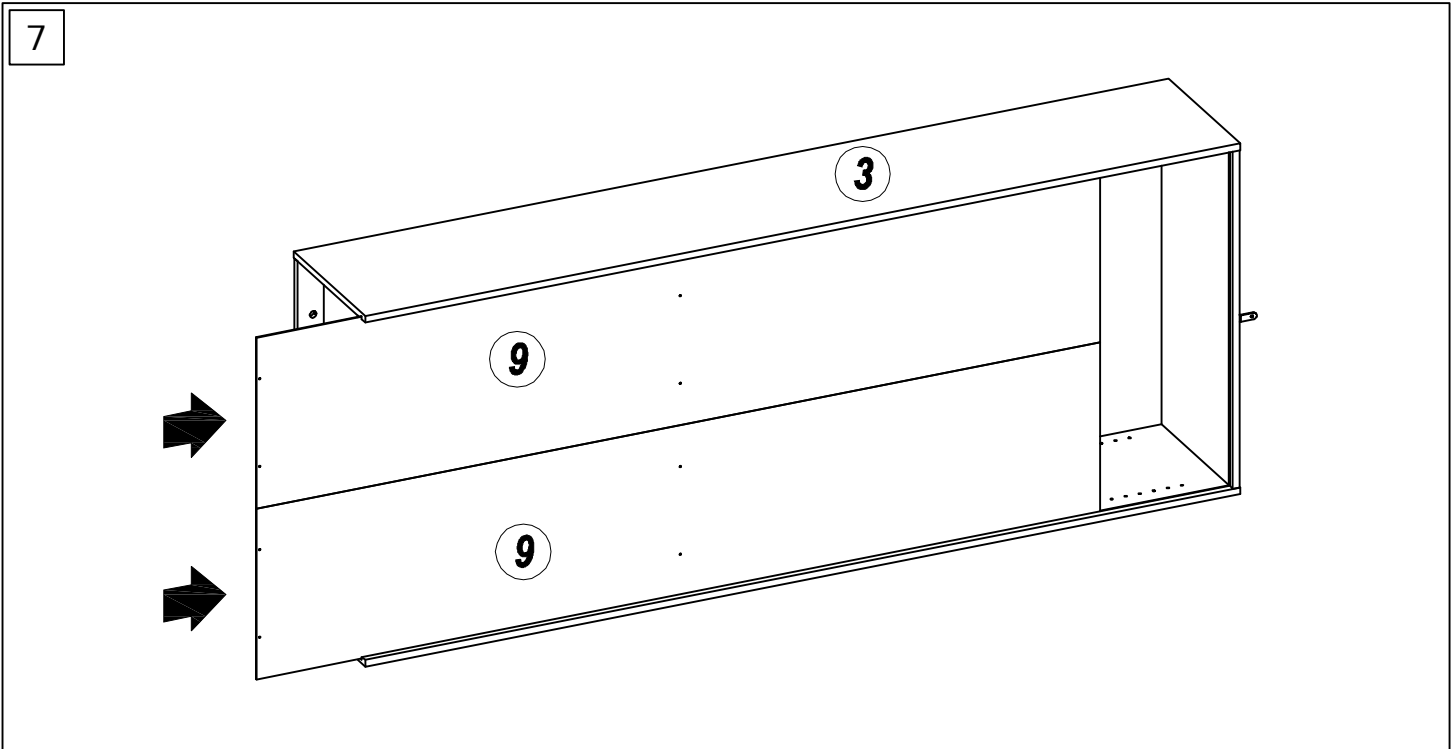
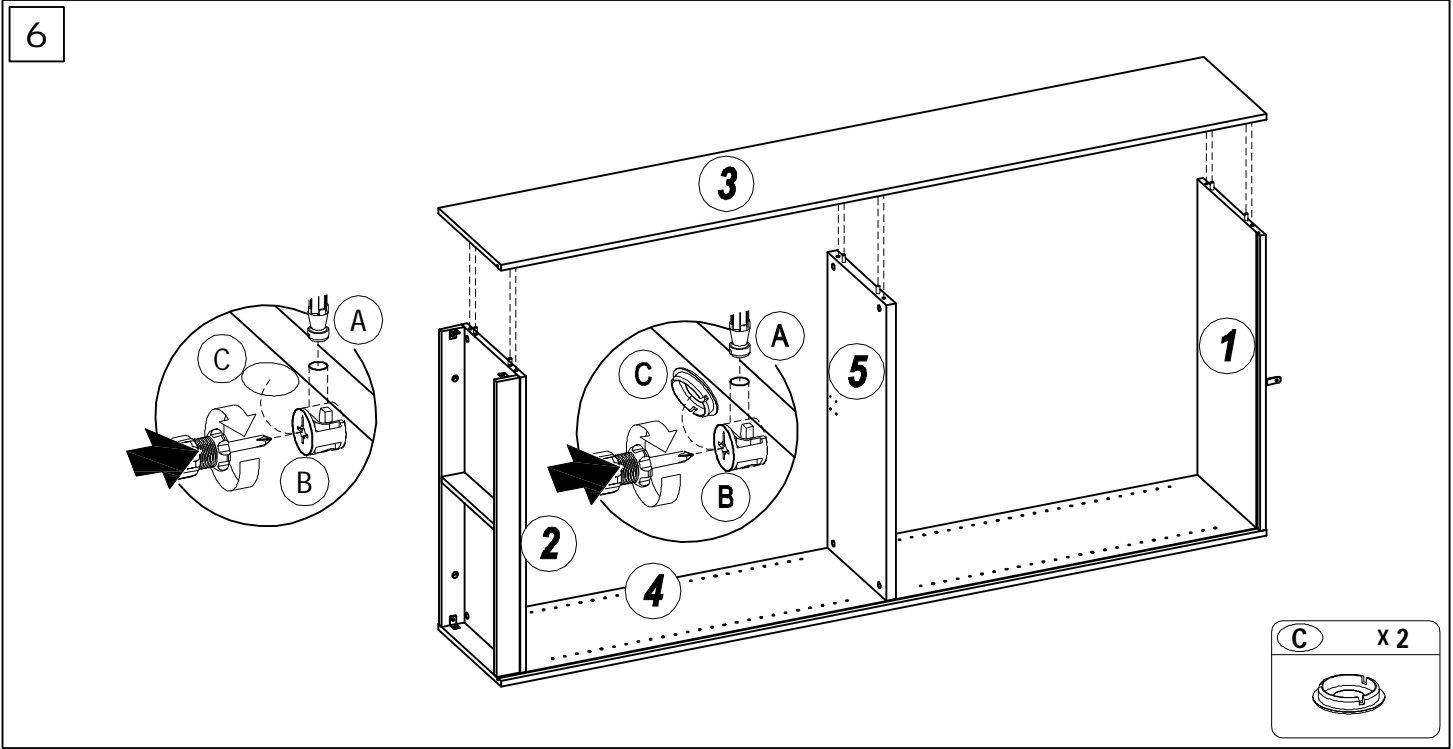
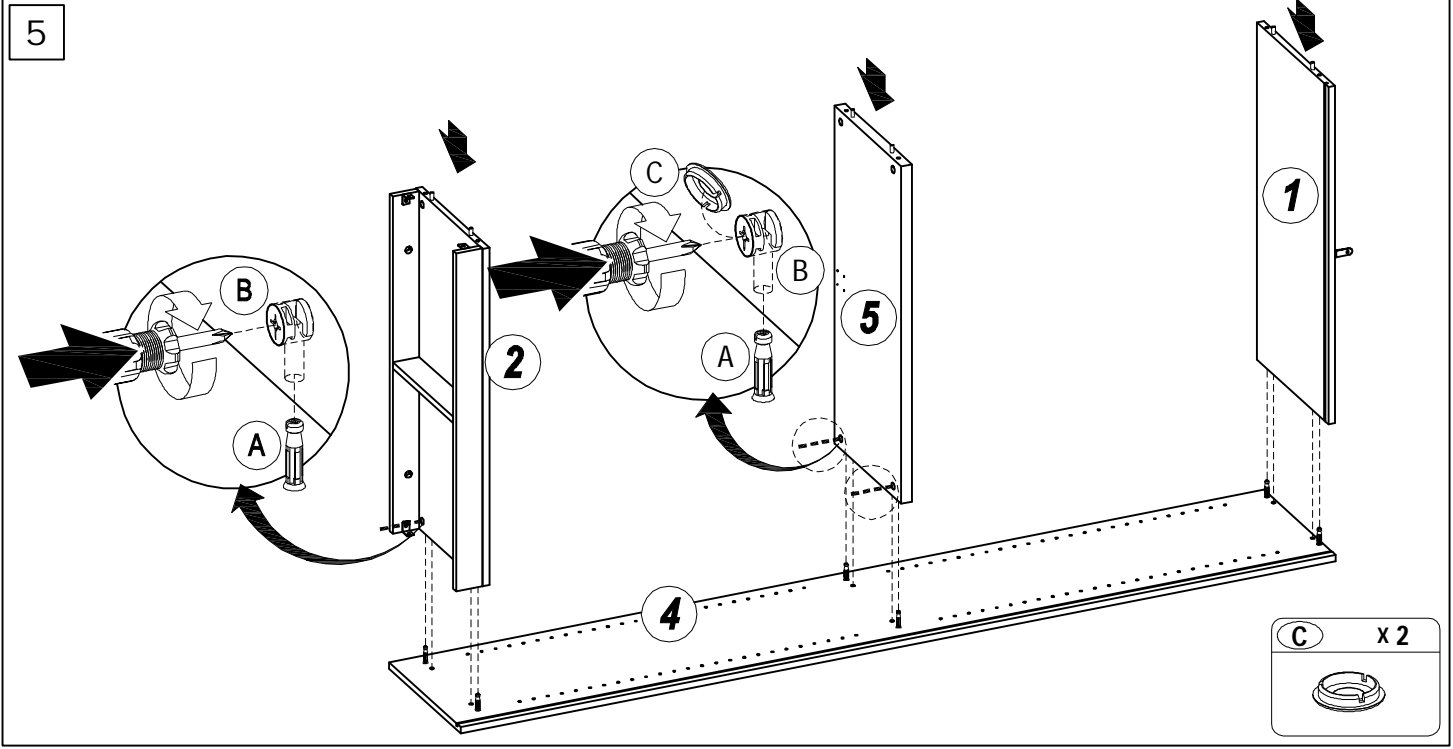


			<h1>AQUBC 835</h1>

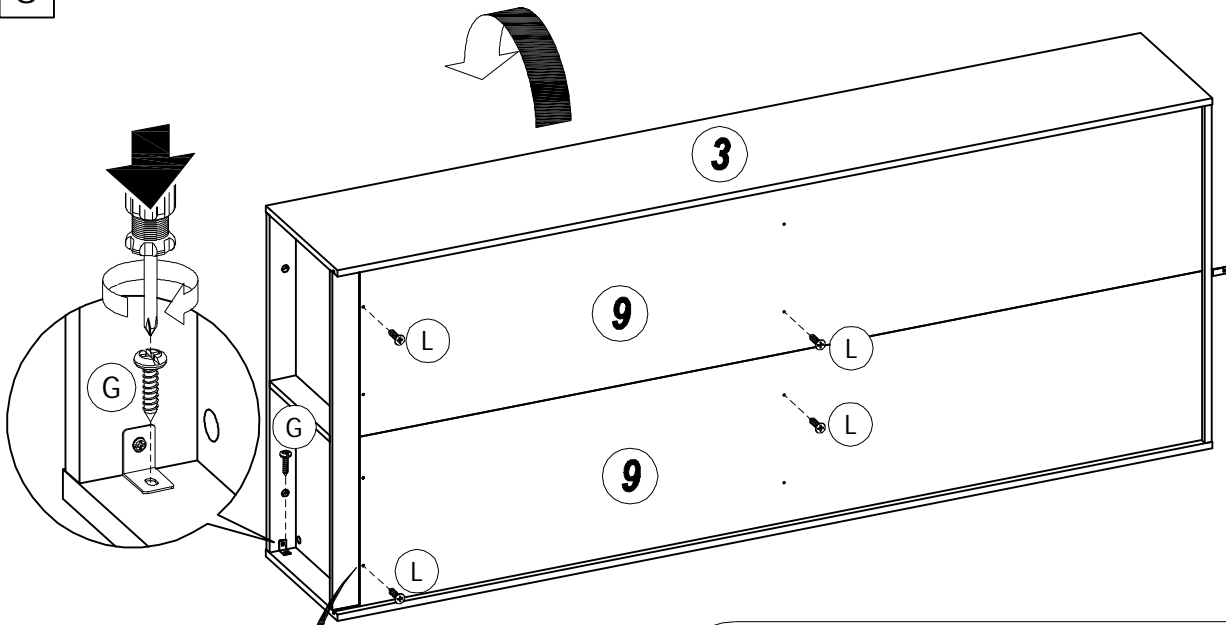




A x 16 	B x 16 	C x 4 	D x 14 			
E x 16 	F x 7 	G x 15 $\text{\O}3.5 \times 12 \text{ mm}$	H x 1 	J x 14 	K x 14 $\text{\O}3.5 \times 19 \text{ mm}$	L x 8 $\text{\O}3 \times 13 \text{ mm}$

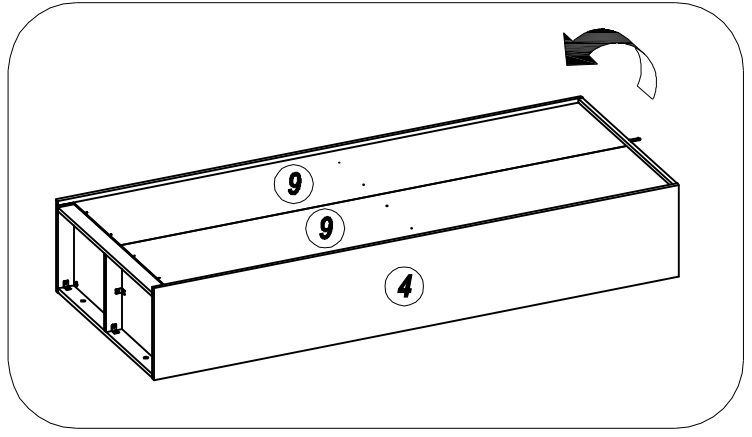
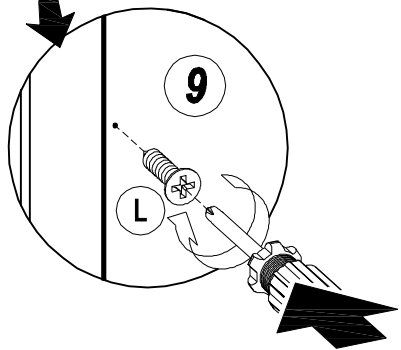




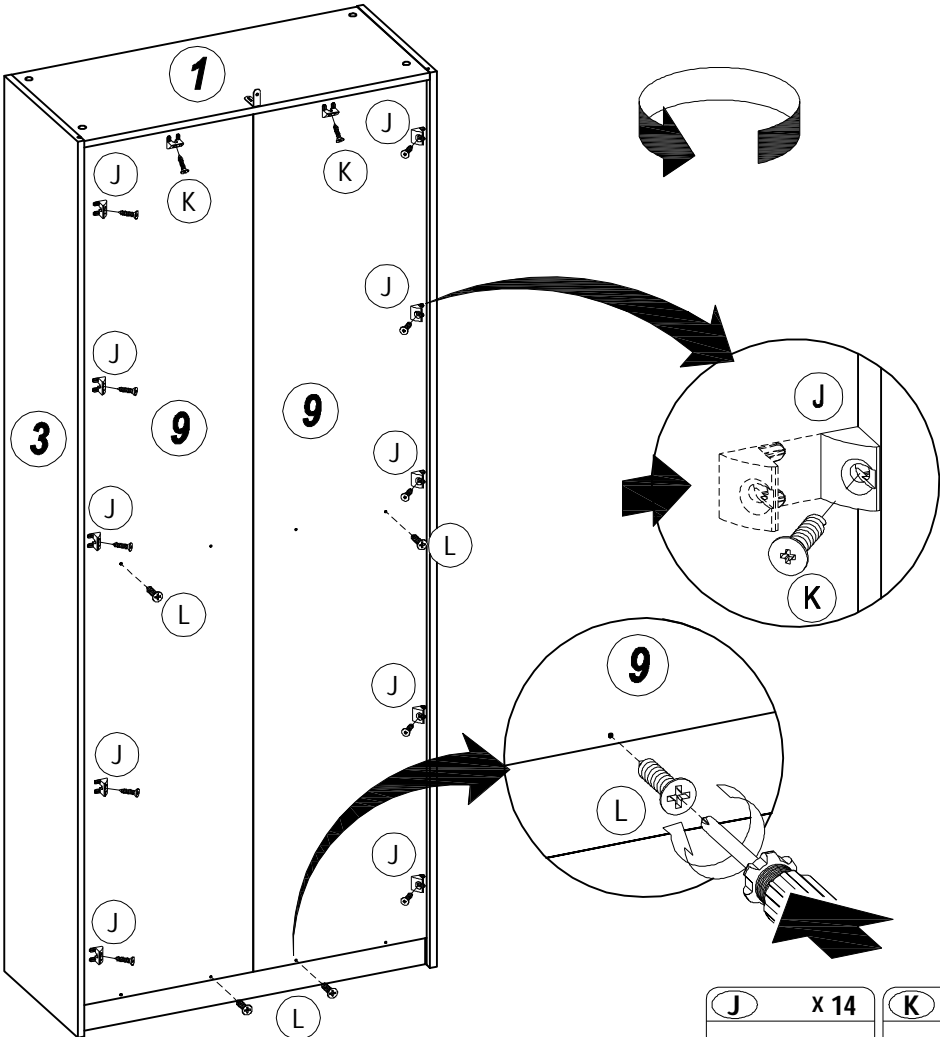
8






- G** X 4

 Ø3.5 X 12 mm
- L** X 4

 Ø3 X 13 mm

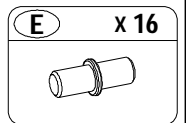
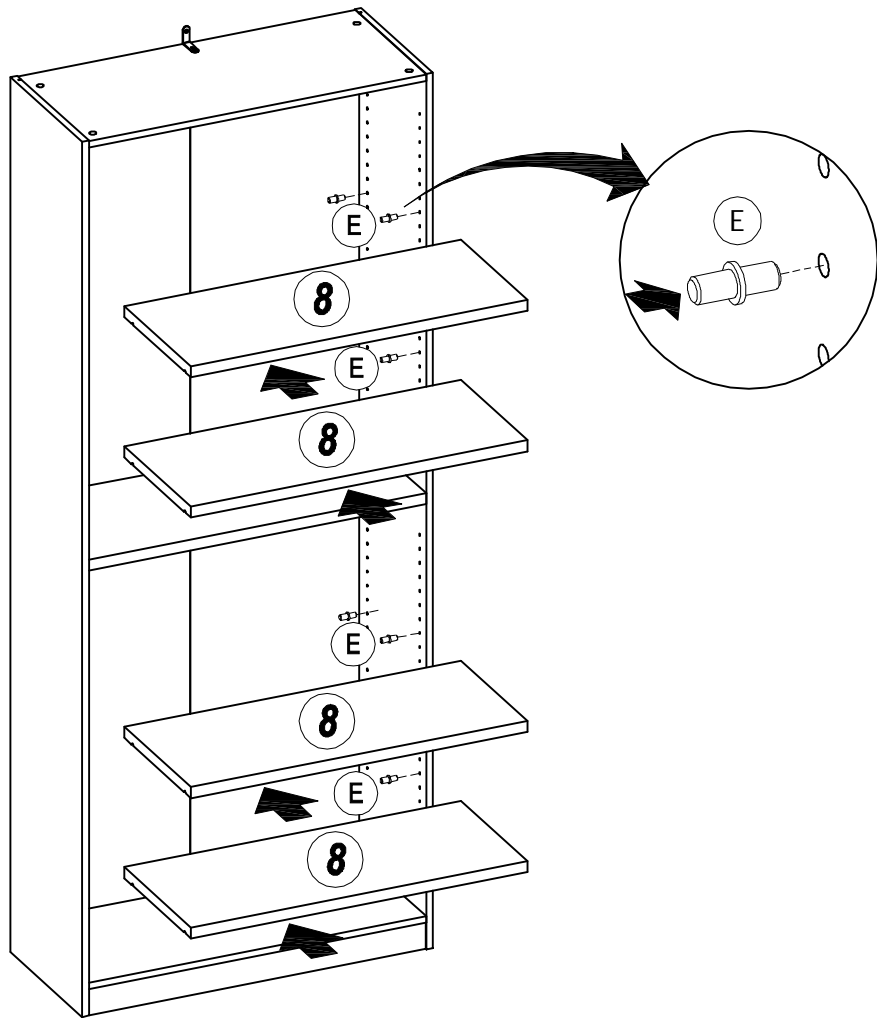


9



- J** X 14

- K** X 14

 Ø3.5 X 19 mm
- L** X 4

 Ø3 X 13 mm

10



11

