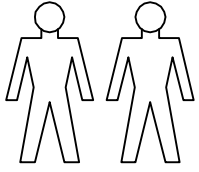
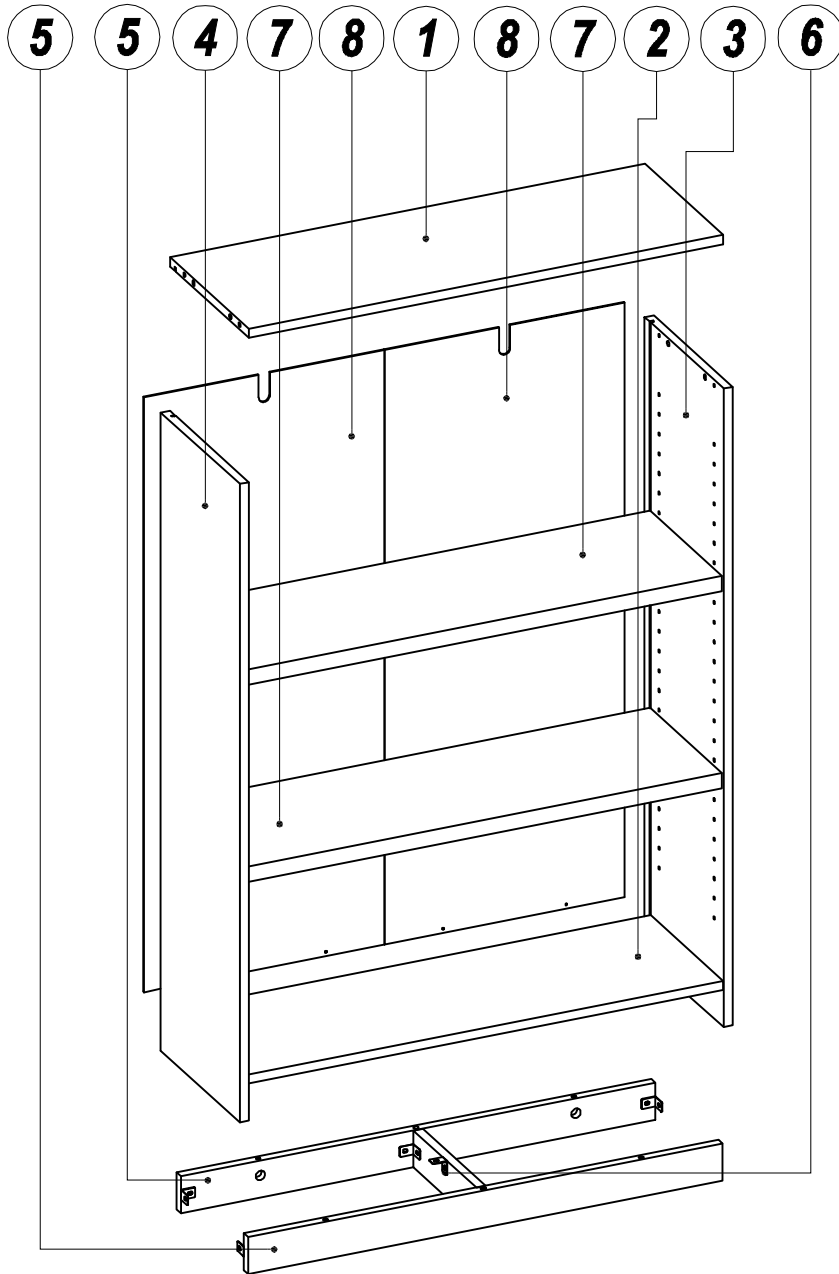
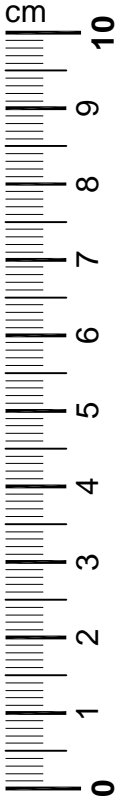
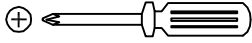
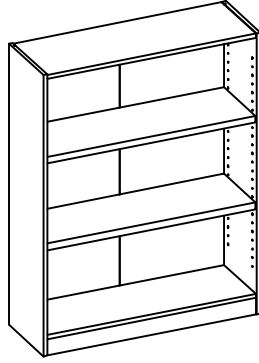


AQUBC 80 S



30
MNT



A x 12	B x 12	C x 4	D x 10

E x 8	F x 7	G x 16	H x 2	J x 8	K x 8	L x 4
		 Ø3.5 X 12 mm			 Ø3.5 X 19 mm	 Ø3 X 13 mm

1

2

5

6

2X

H x 2

A x 4

B x 12

D x 10

F x 7

G x 9

Ø3.5 X 12 mm

2

5

5

2

3

G x 3

Ø3.5 X 12 mm

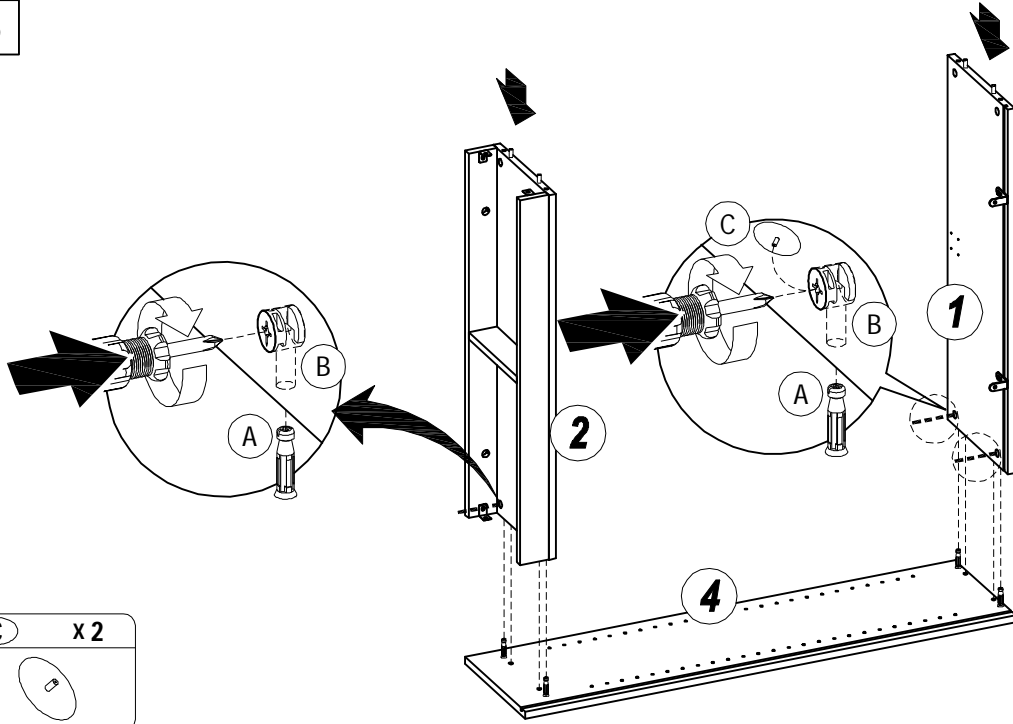
4

3

4

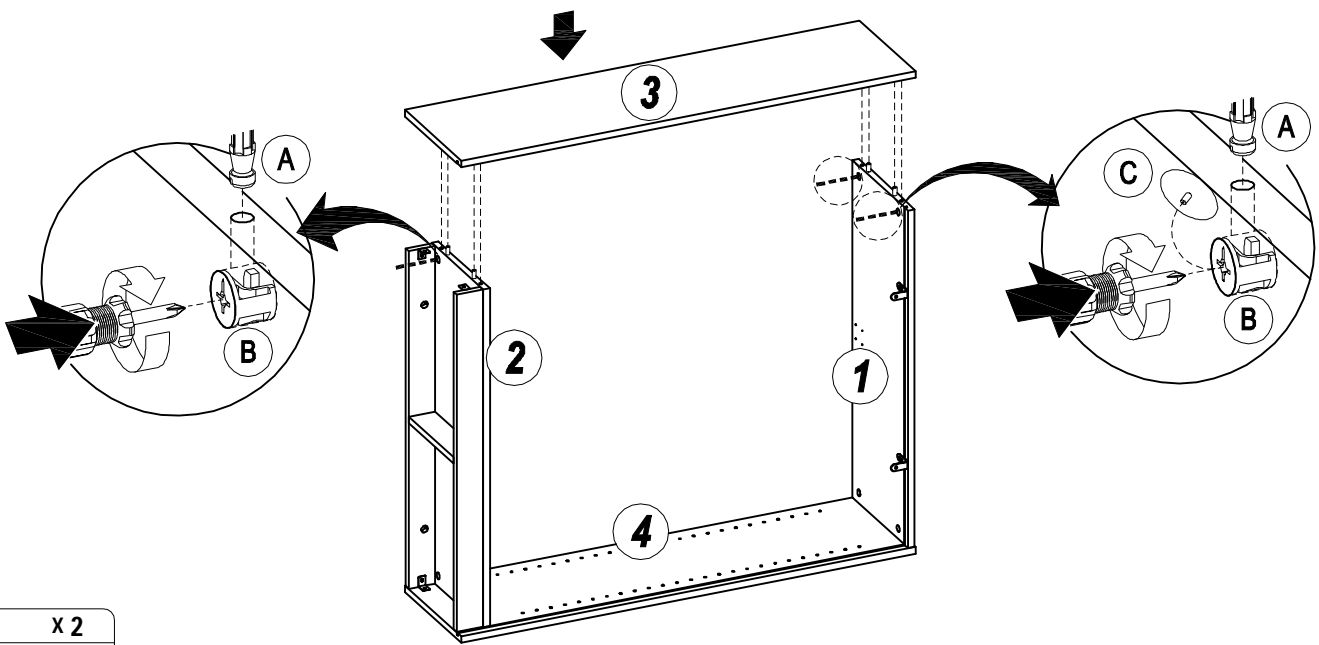
A x 8

5



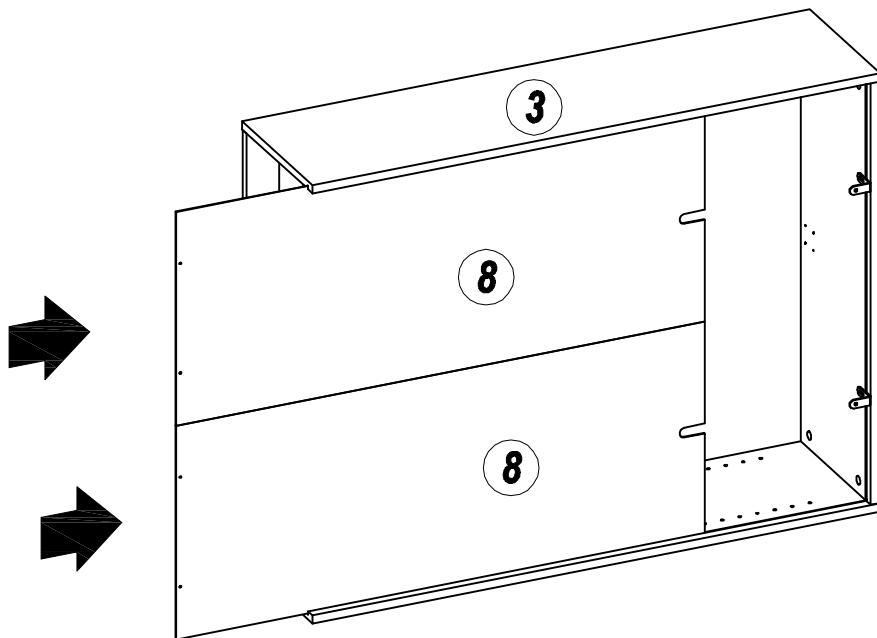
C x2

6

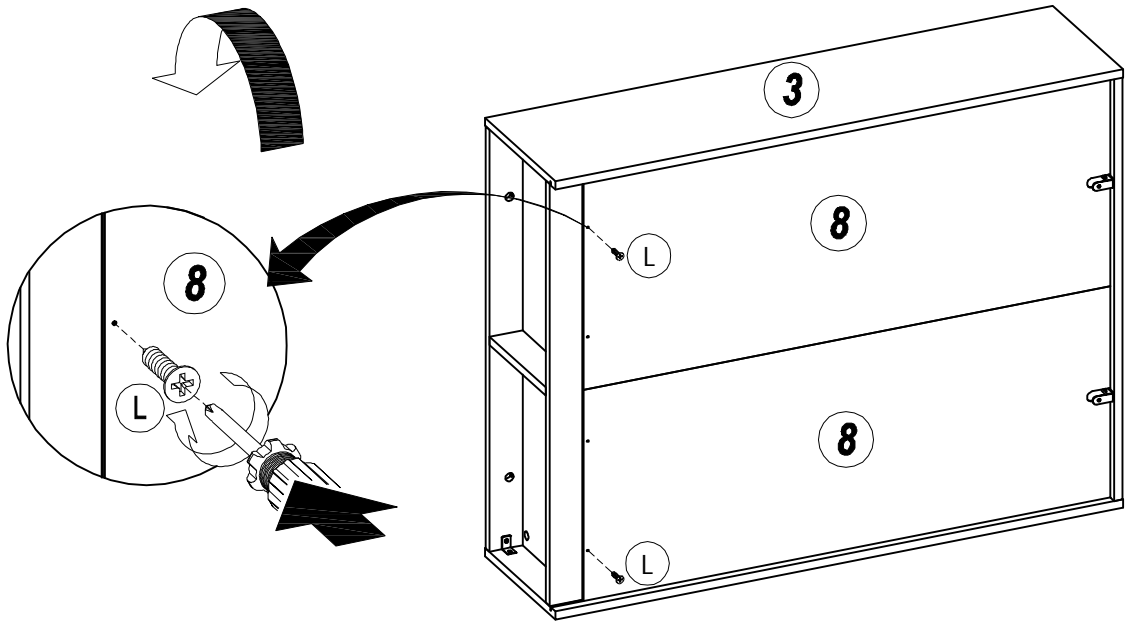



C x2

7

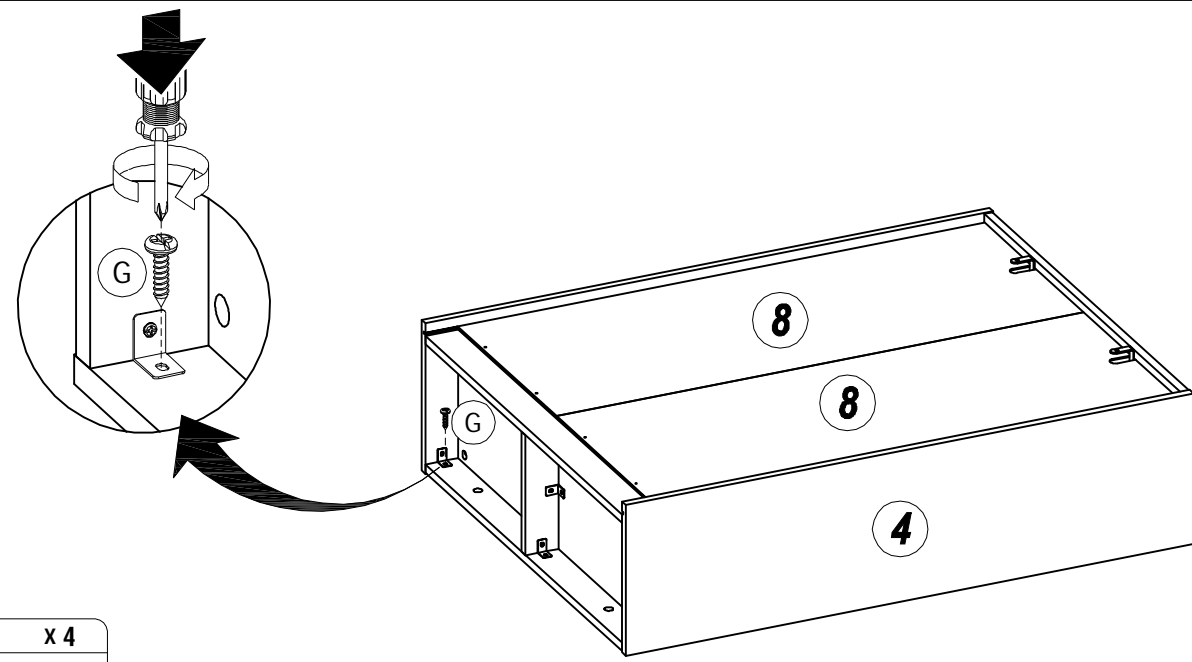



8



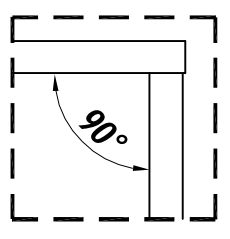
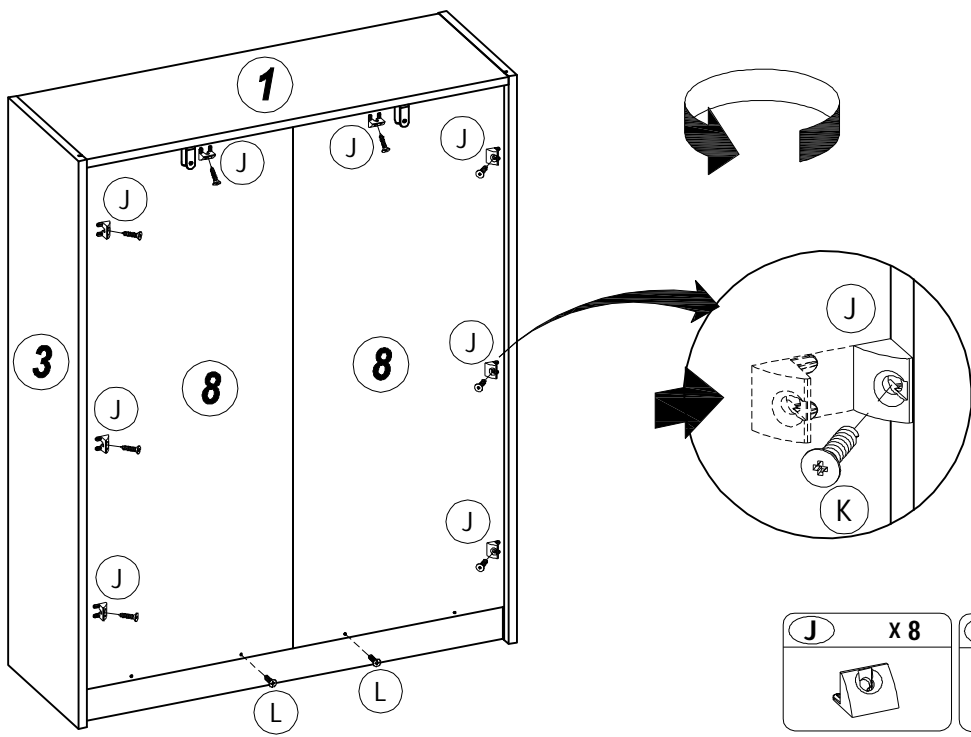
L x 2

 Ø3 X 13 mm




9



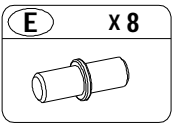
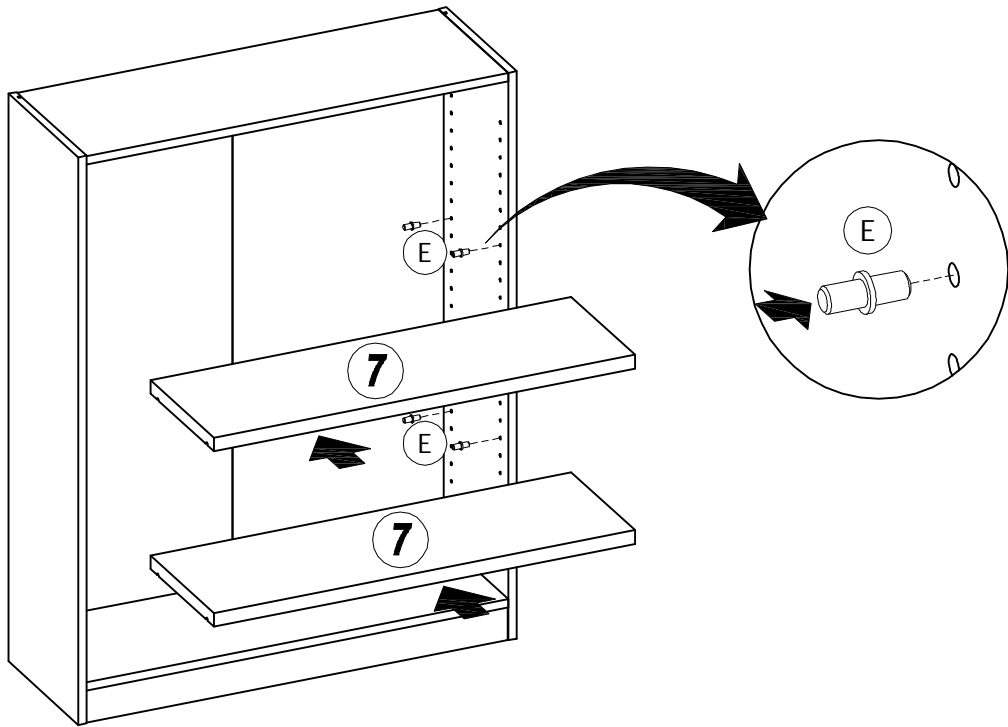
G x 4

 Ø3.5 X 12 mm

10



J x 8

 K x 8

 Ø3.5 X 19 mm
 L x 2

 Ø3 X 13 mm

11



12

