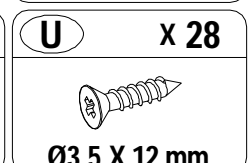
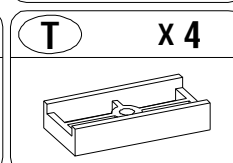
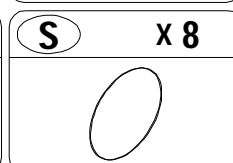
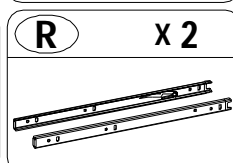
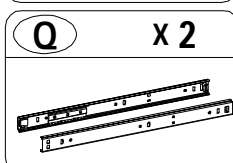
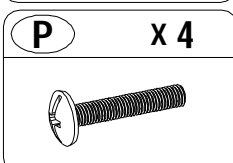
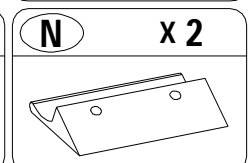
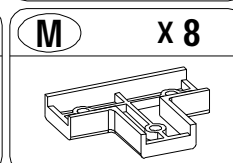
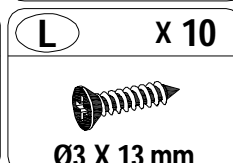
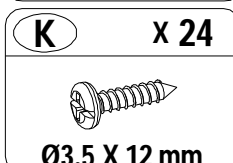
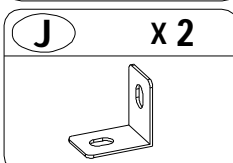
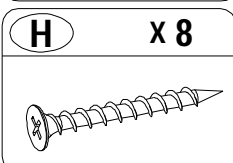
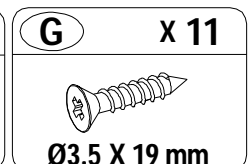
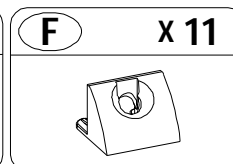
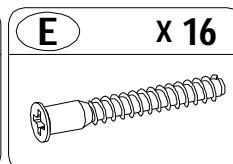
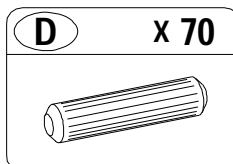
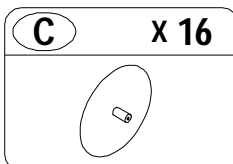
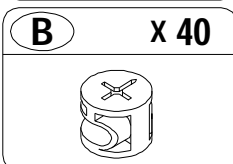
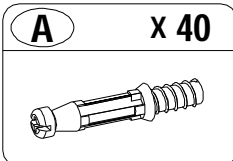
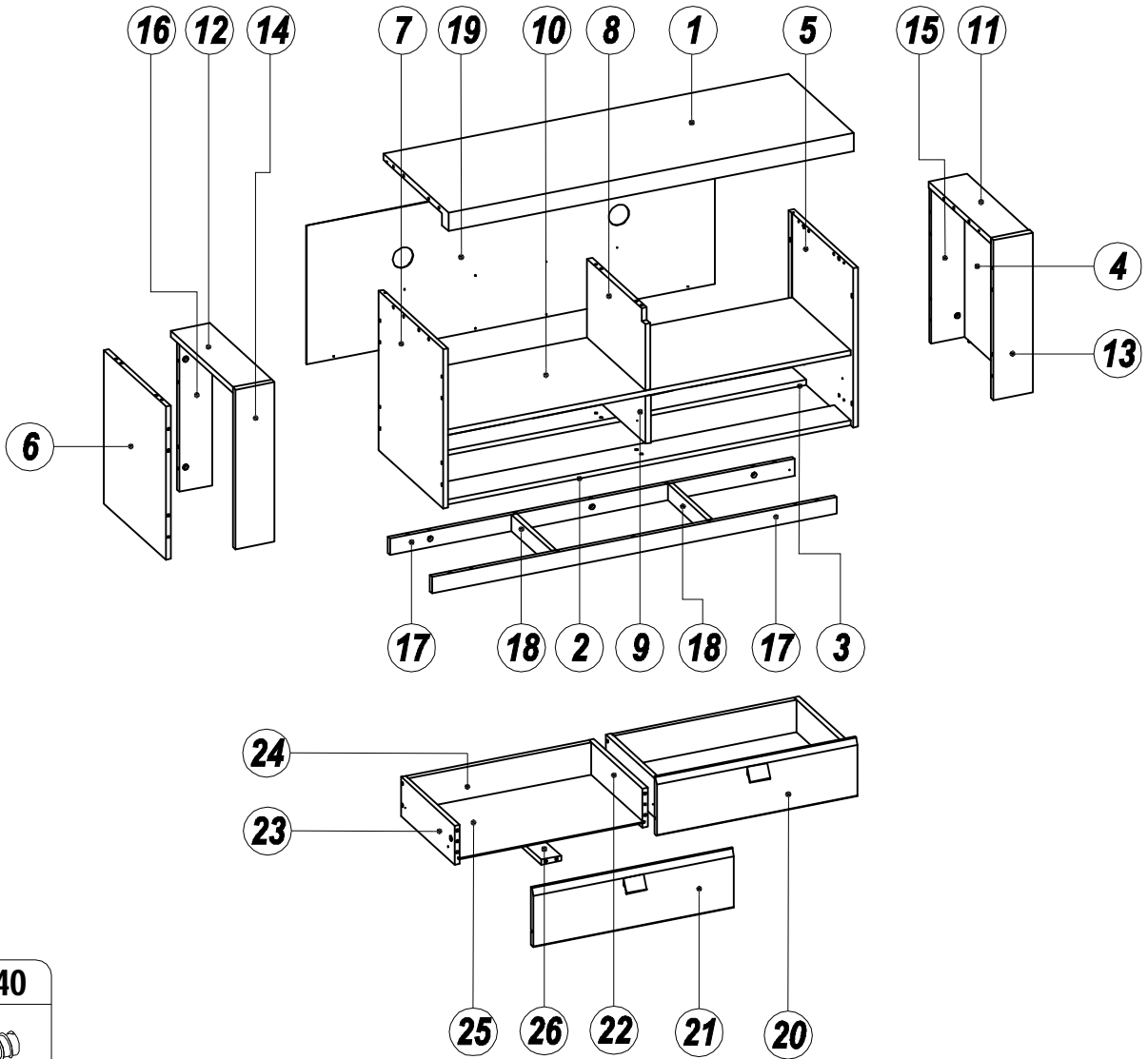
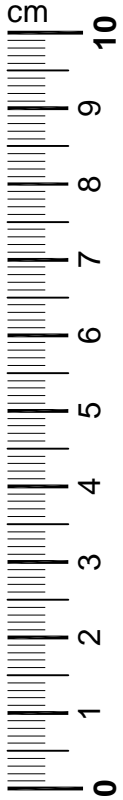
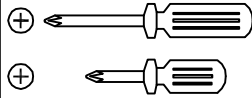
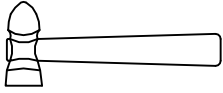
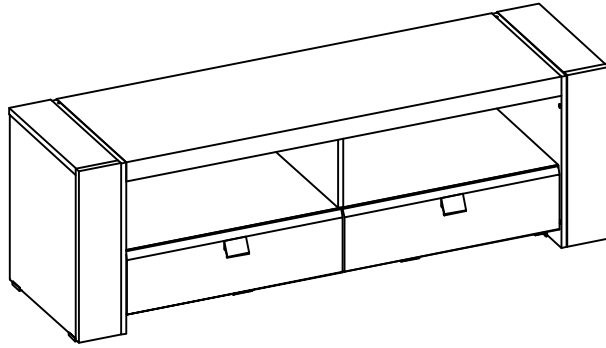


60
MNT

ALTV 151



1

A x 8	B x 14	D x 21

2

A x 16	B x 12	D x 16

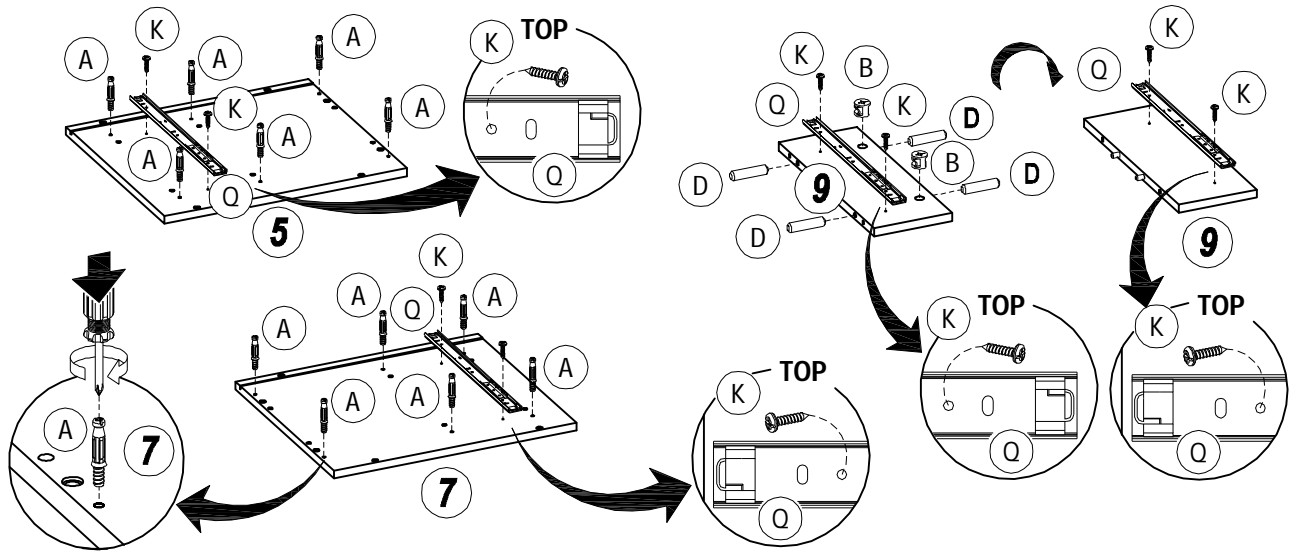
3

B x 8	D x 13	J x 2	K x 2

4

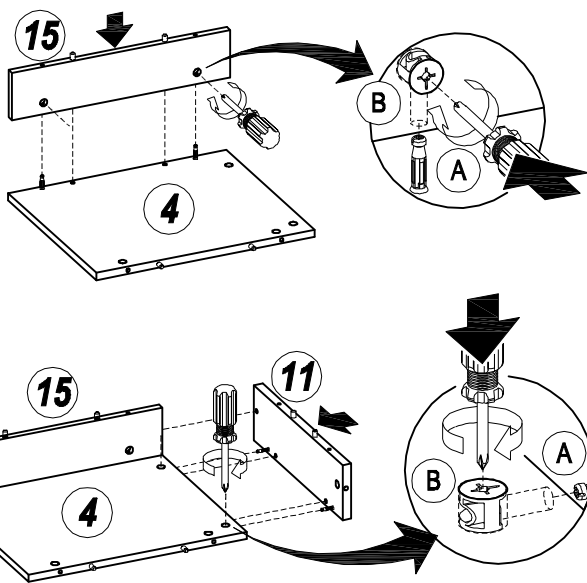
2X

5

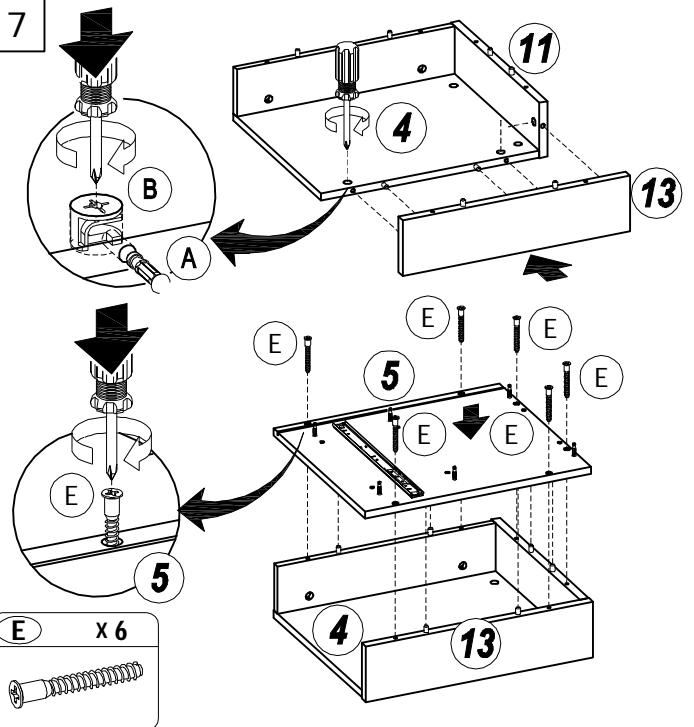


A x 12	B x 2	D x 4	K x 8	Q x 2
			 Ø3.5 X 12 mm	

6

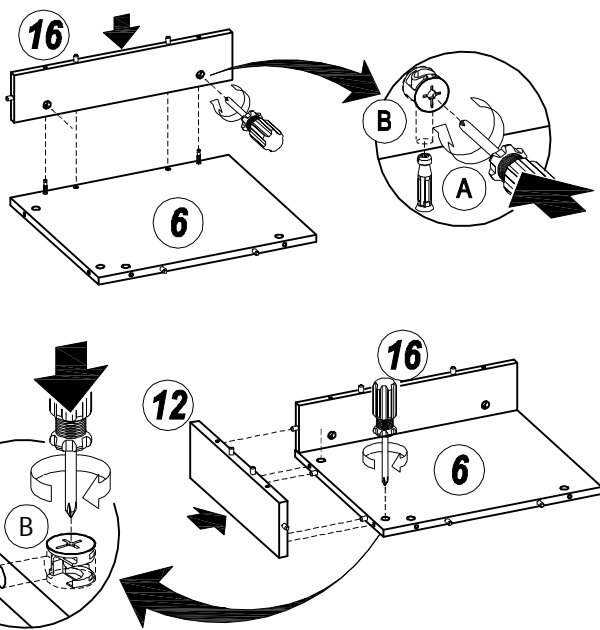


7

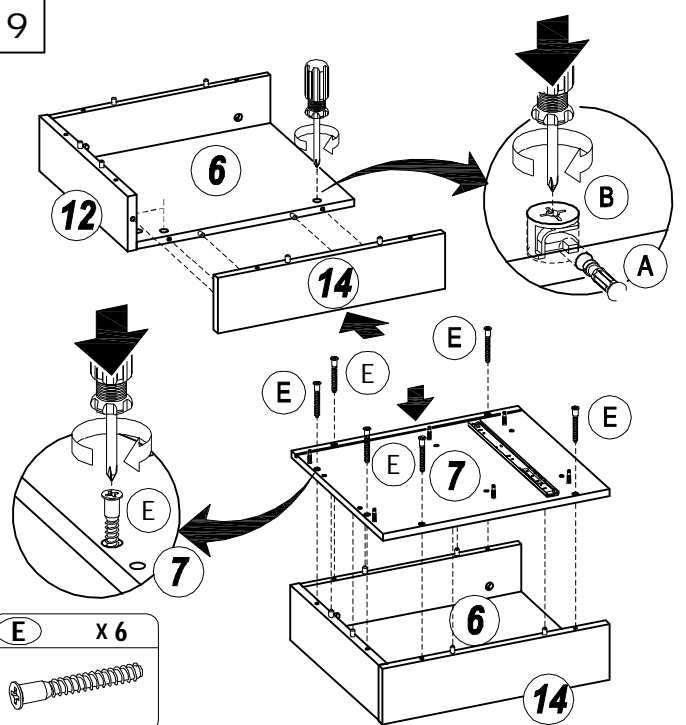


E x 6

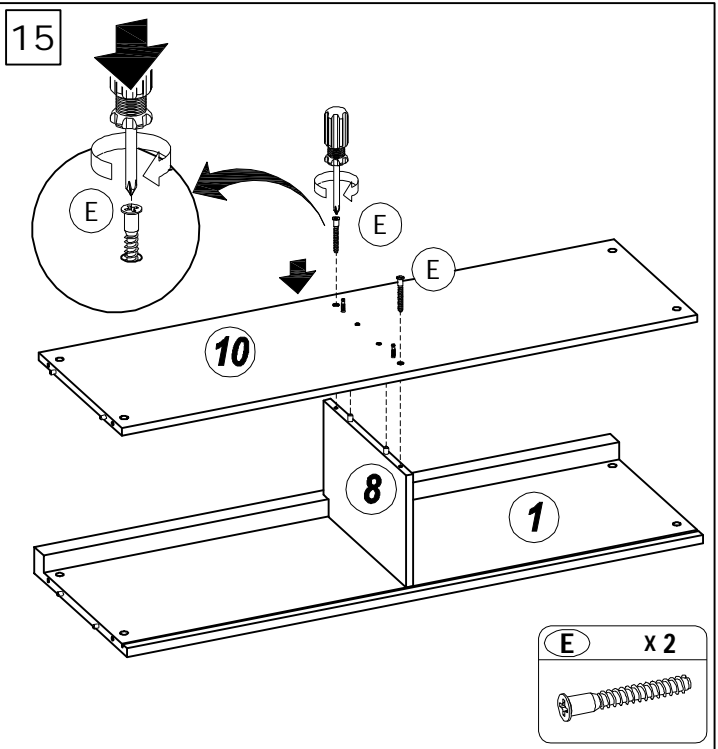
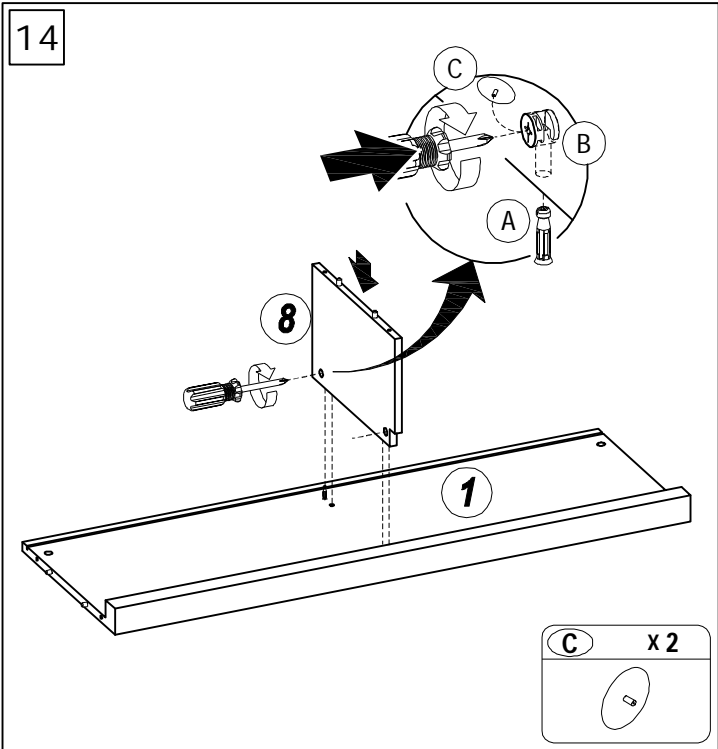
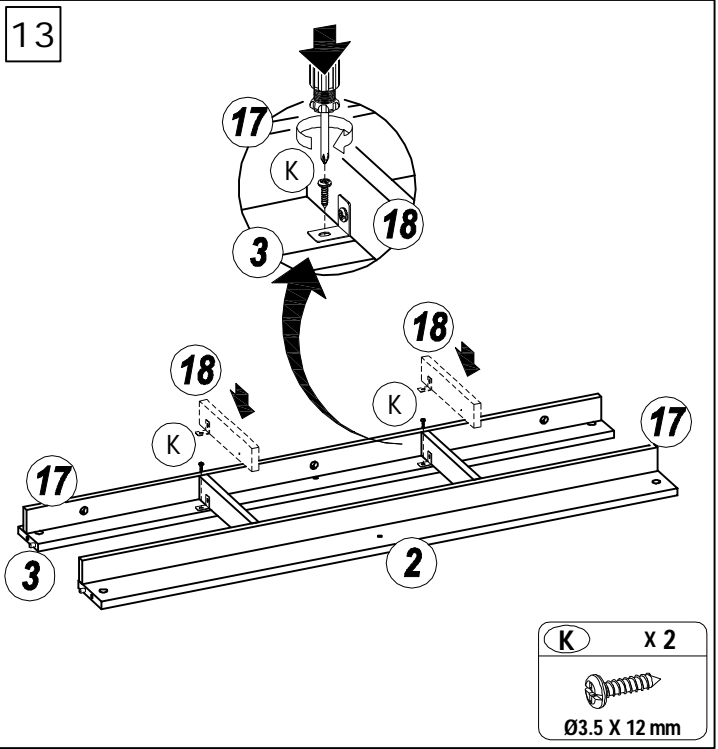
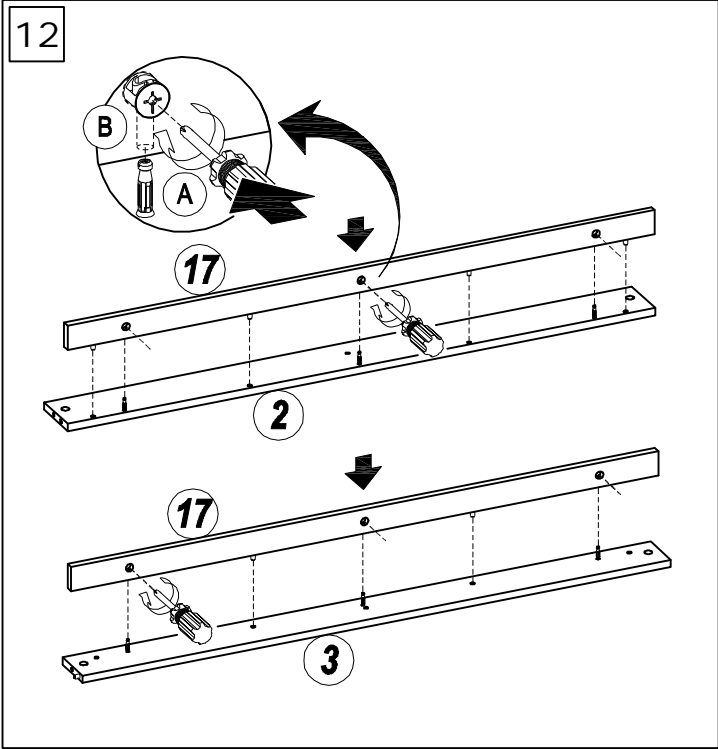
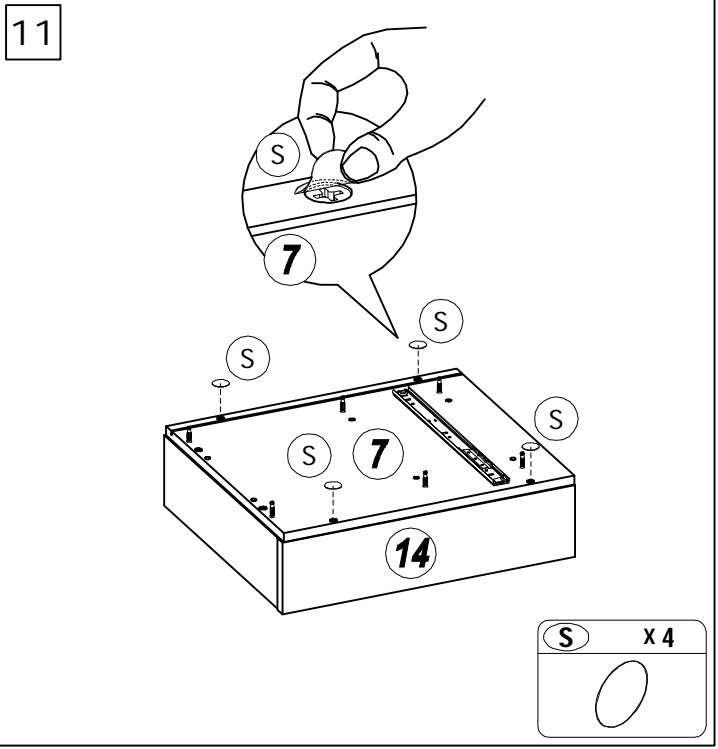
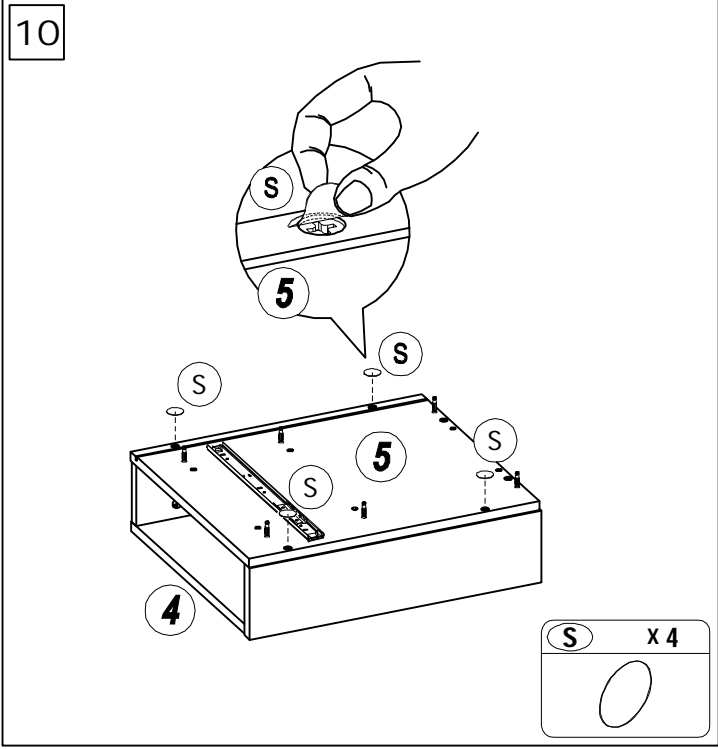
8

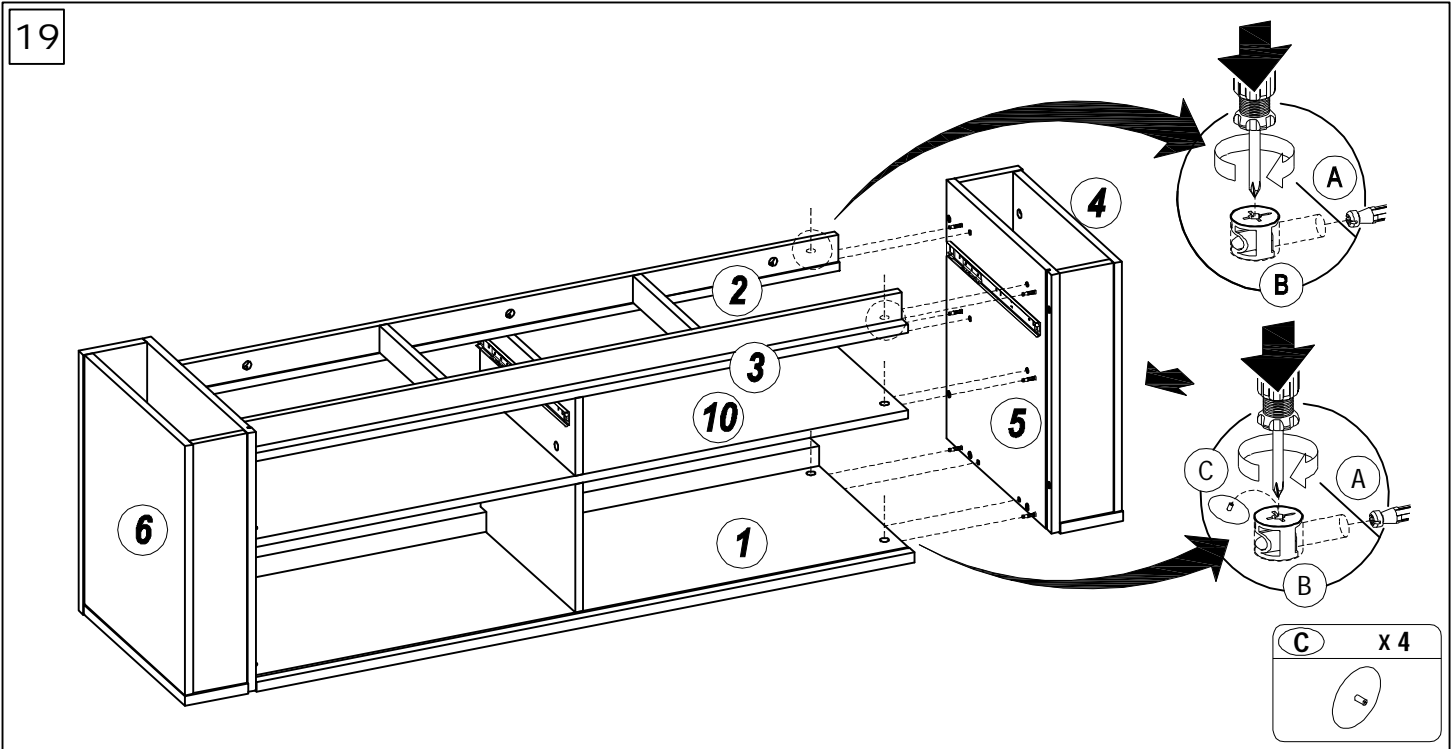
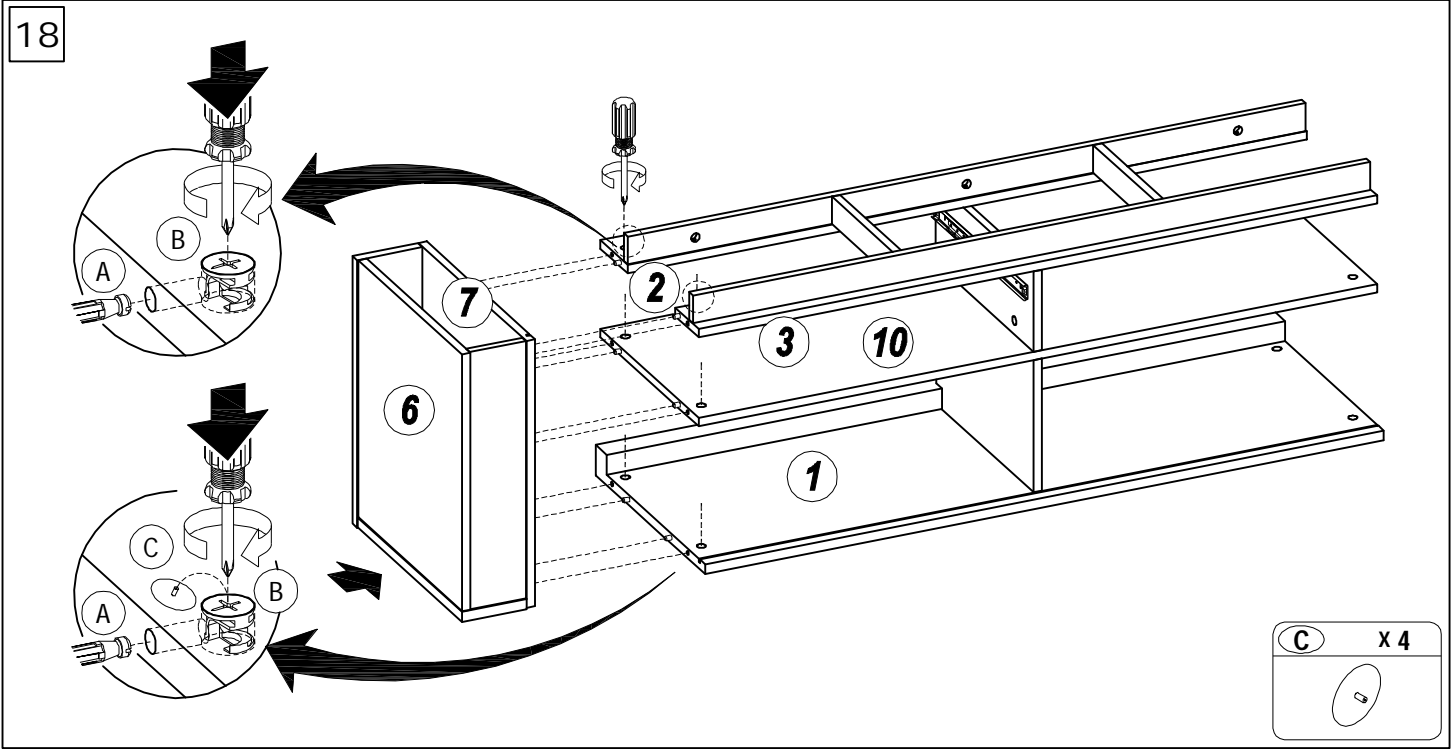
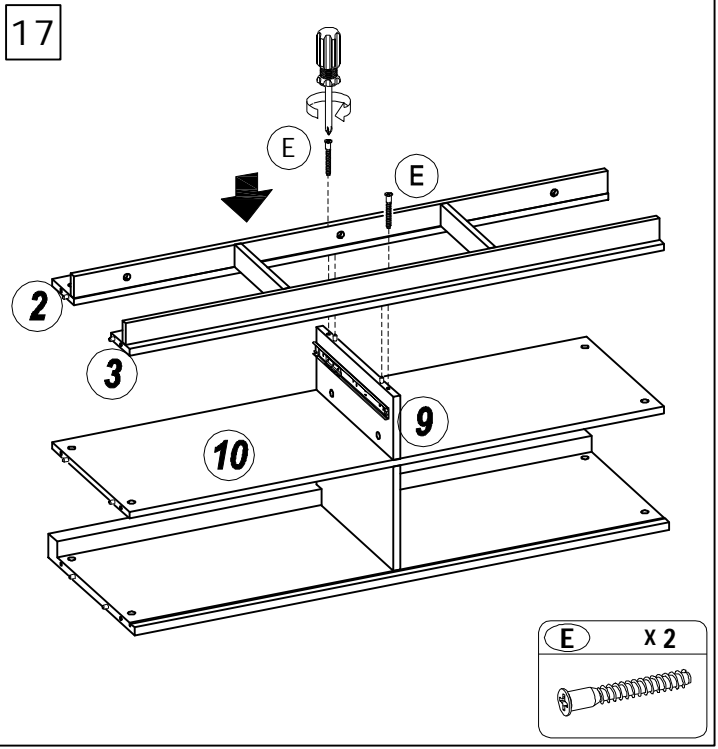
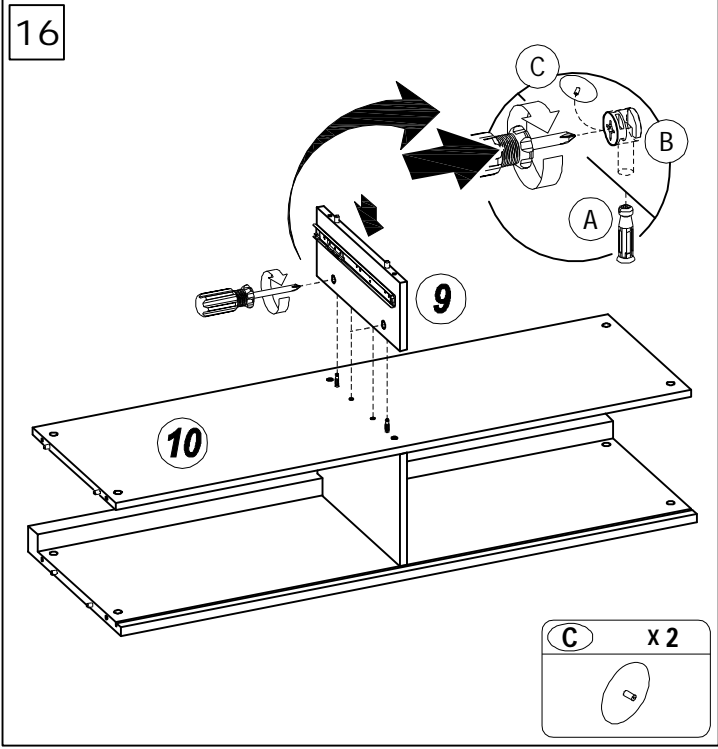


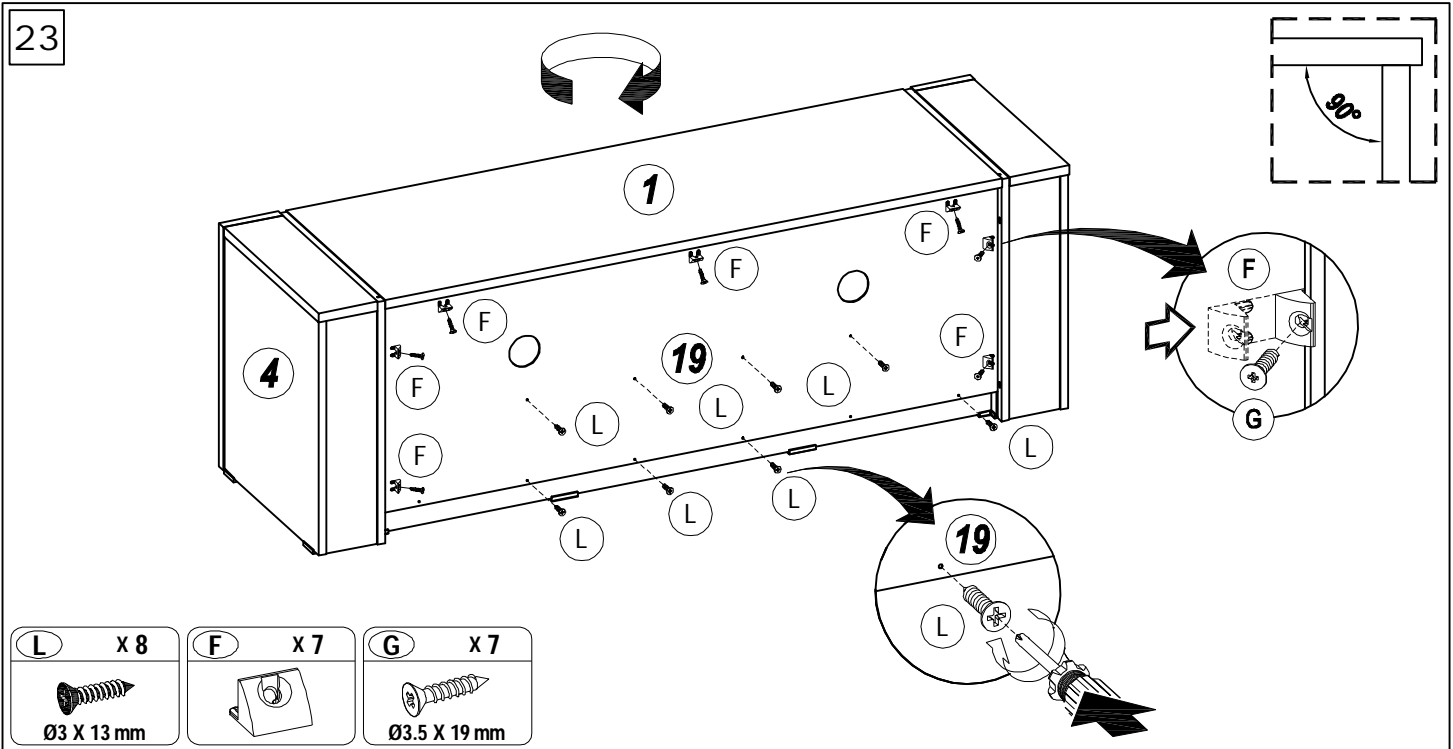
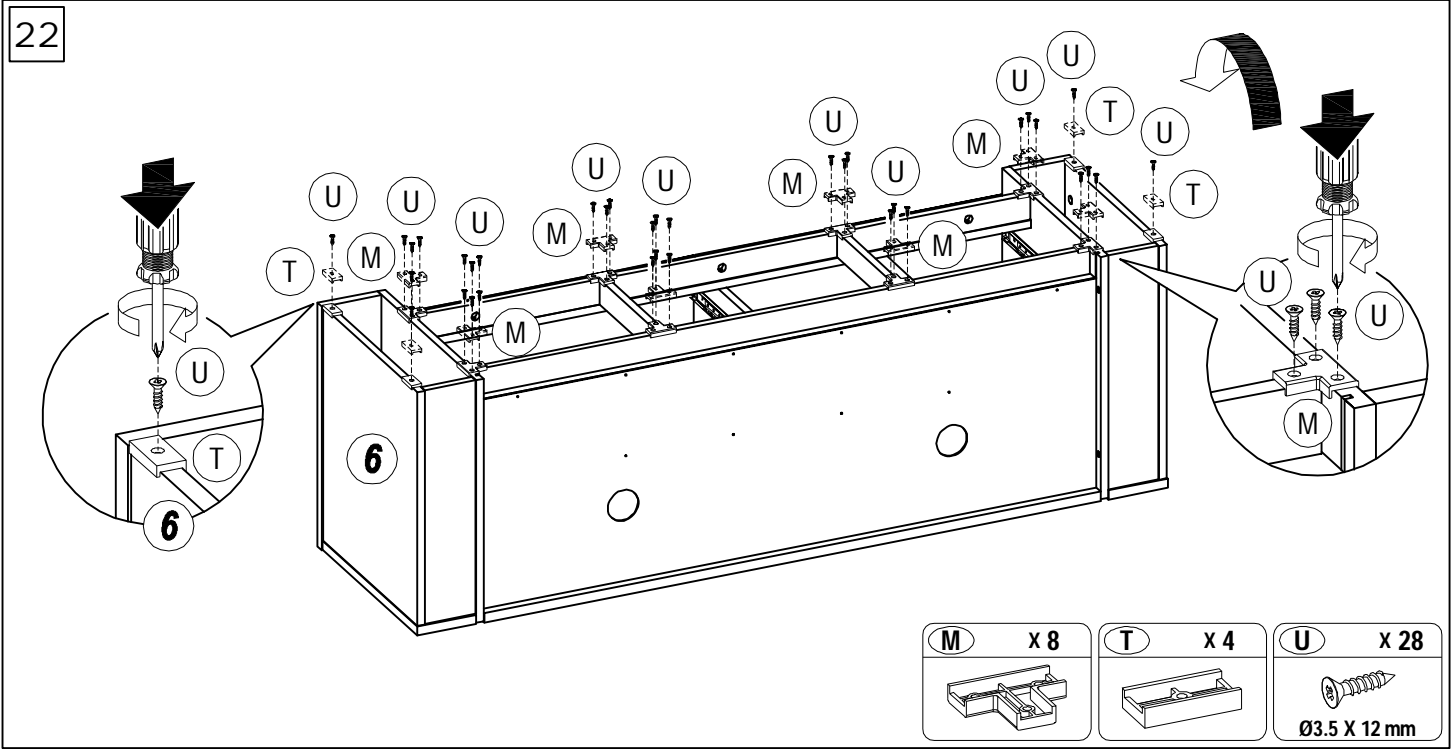
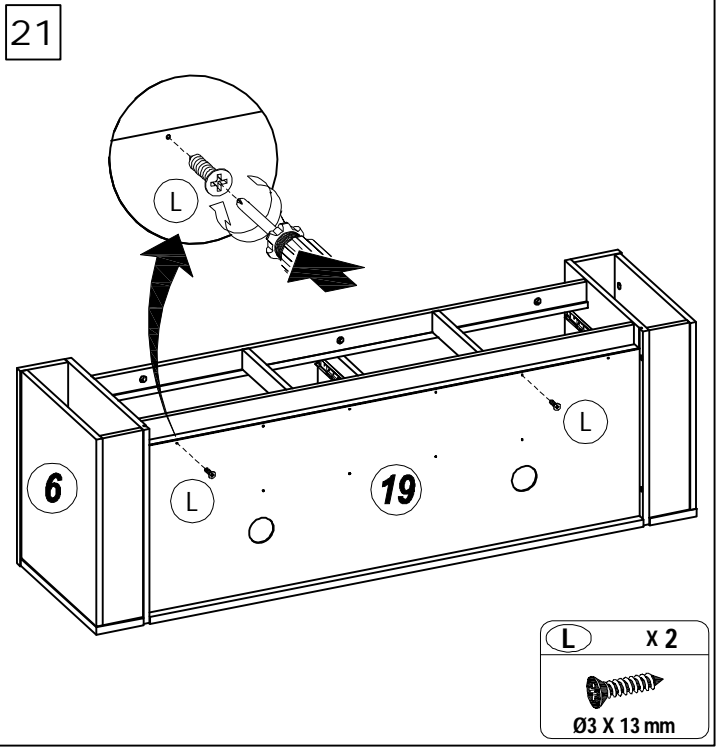
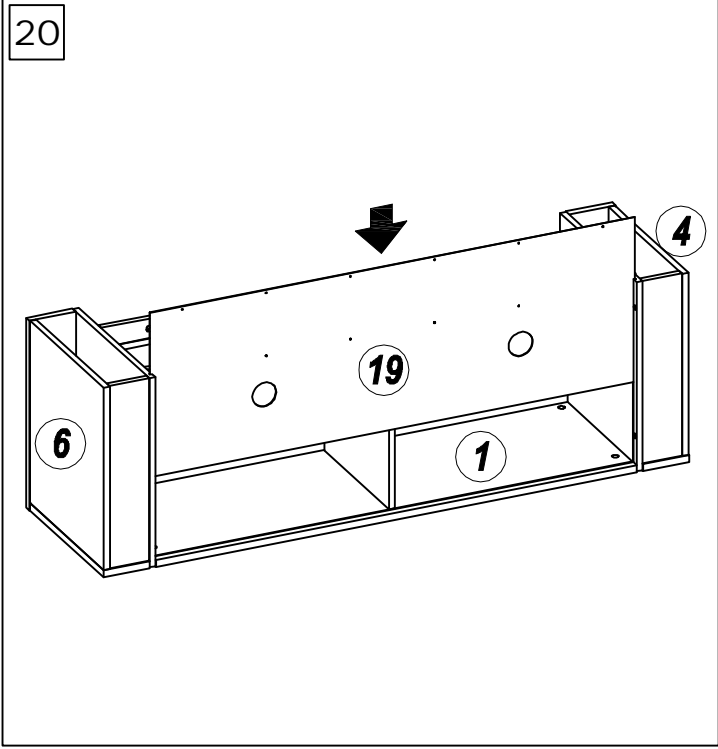
9



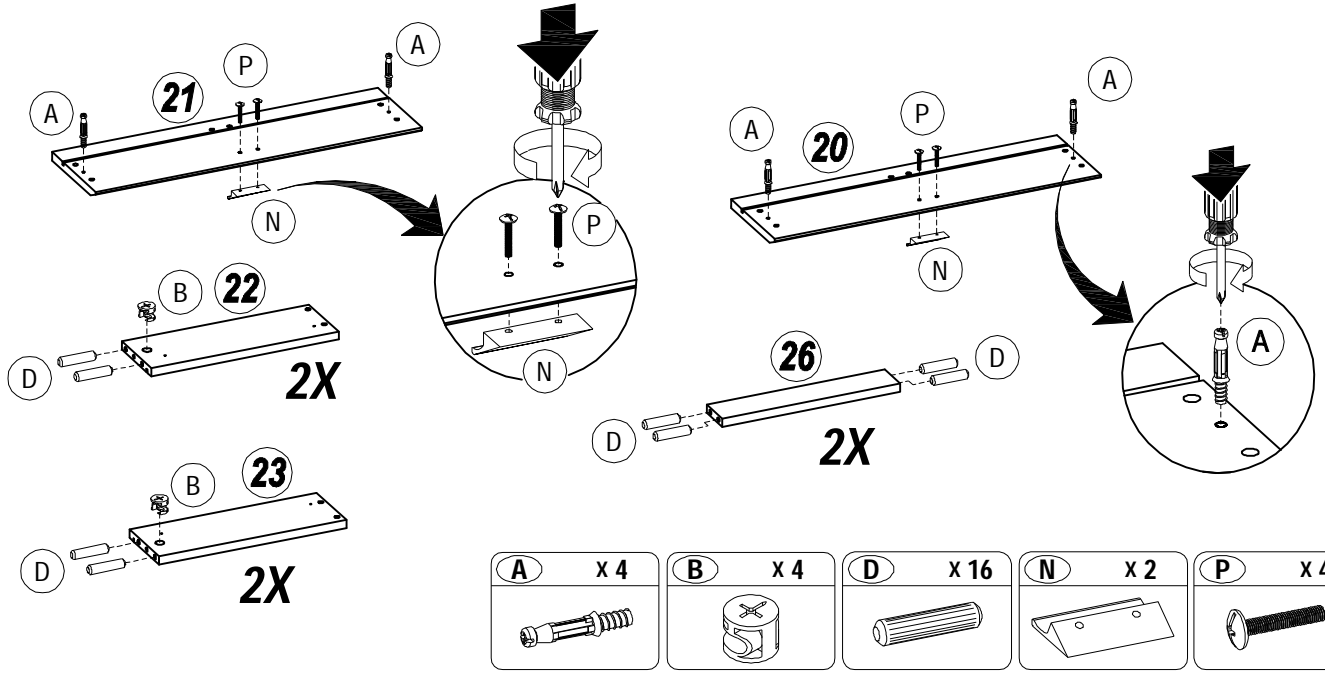
E x 6



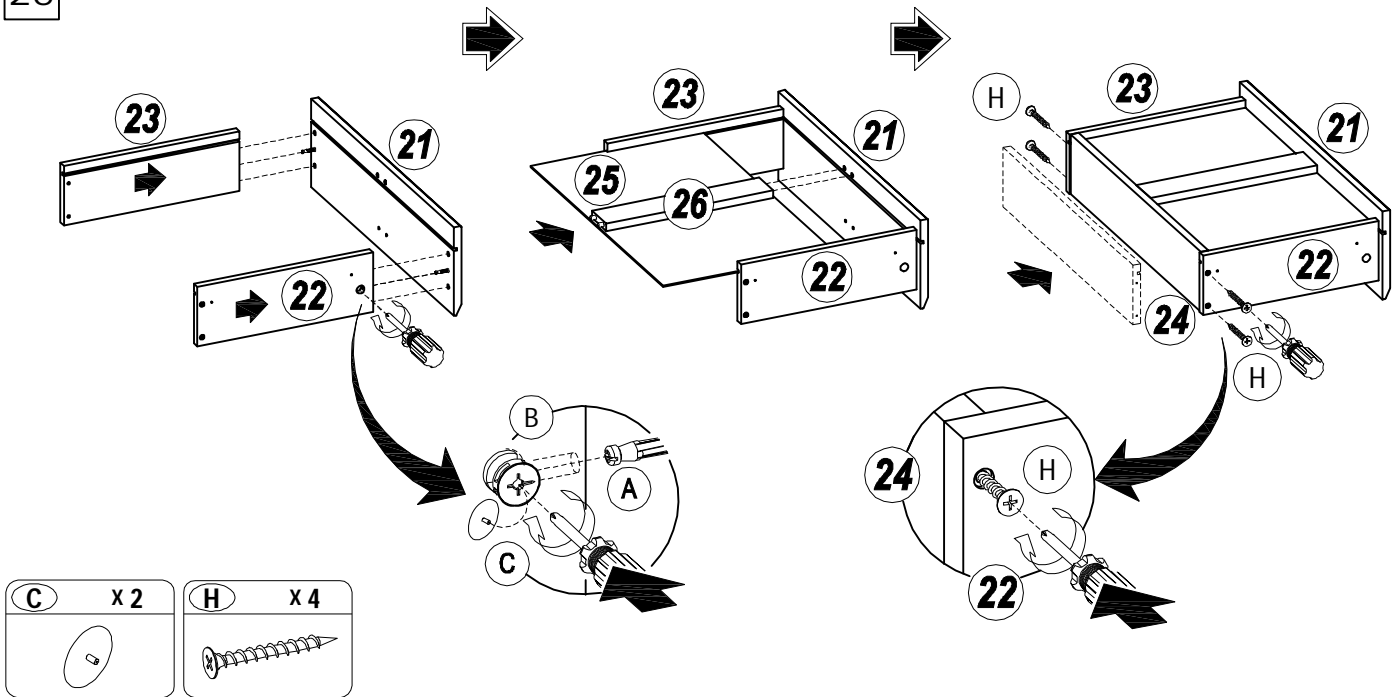




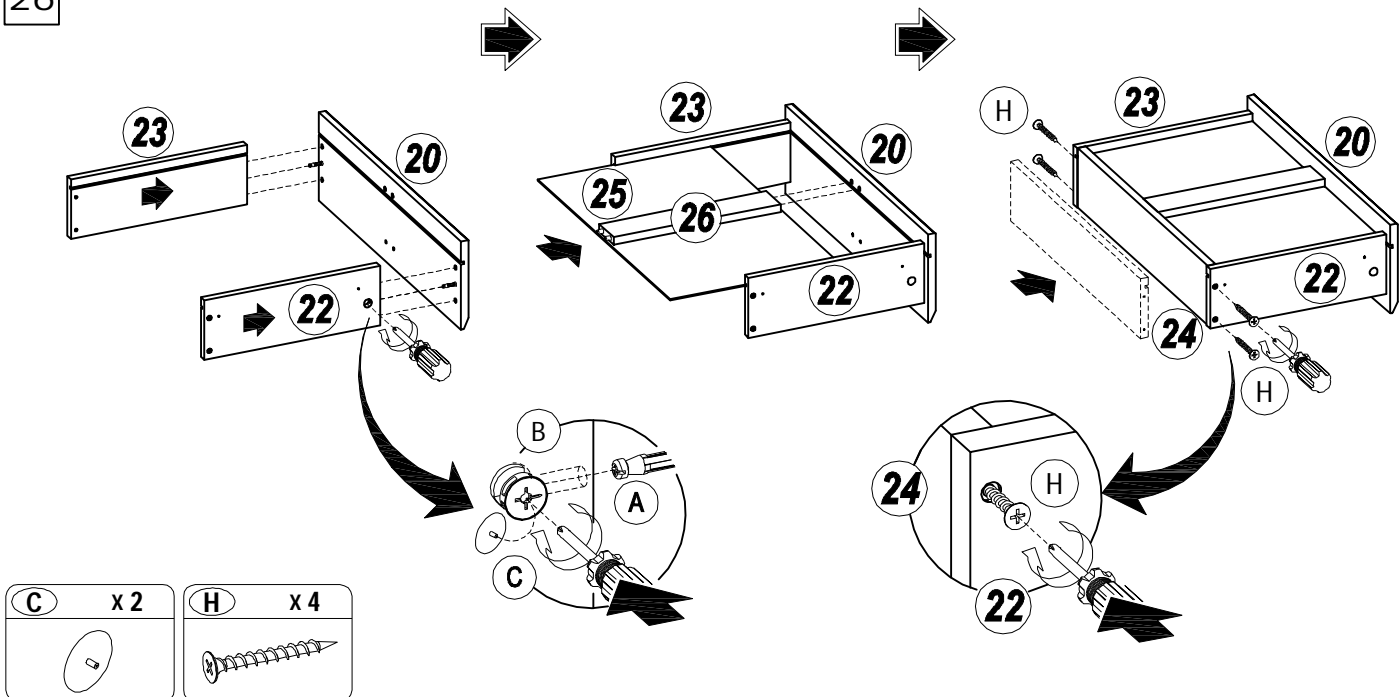
24



25

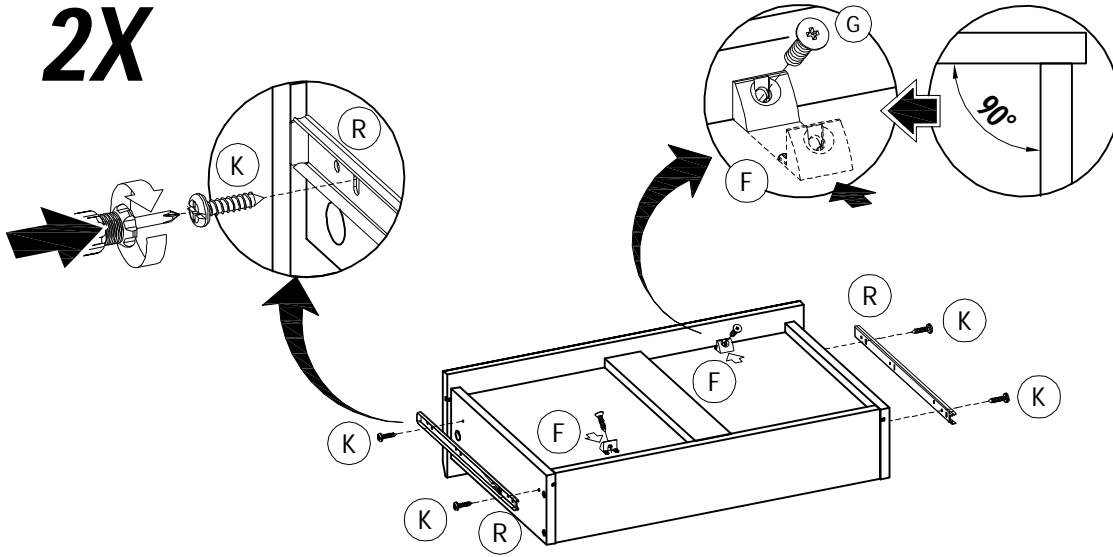




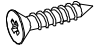

26



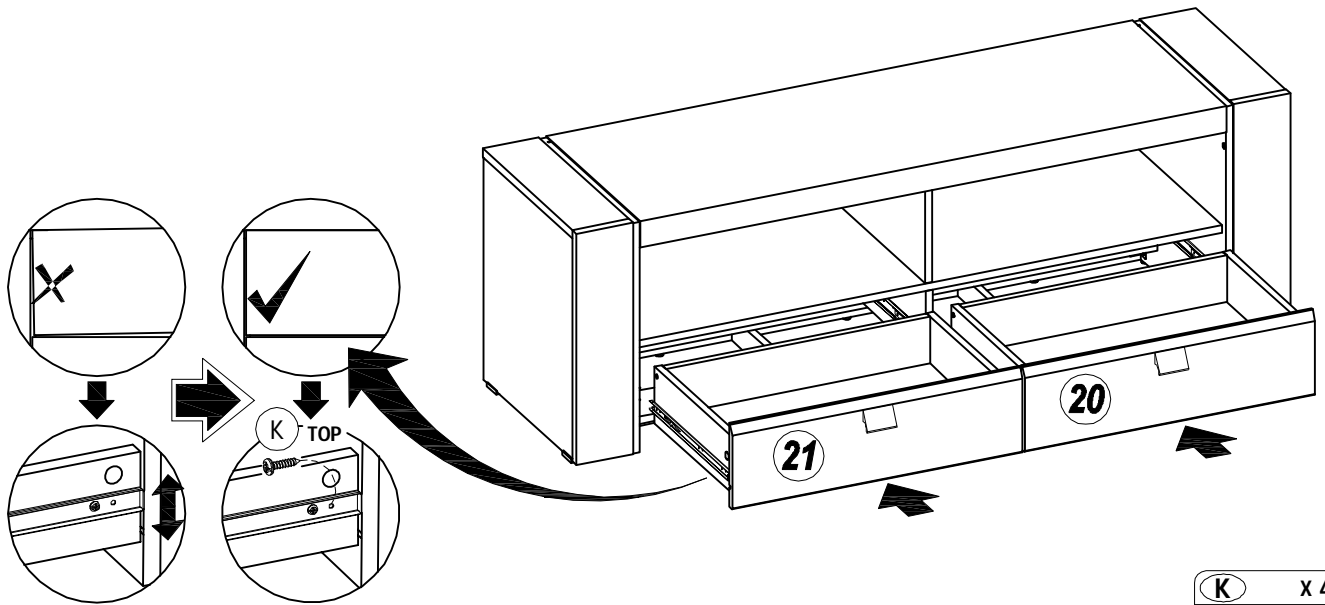
27


2X



K x 8	F x 4	G x 4	R x 2
 Ø3.5 X 12 mm		 Ø3.5 X 19 mm	

28



K x 4
 Ø3.5 X 12 mm

29

