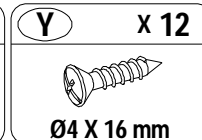
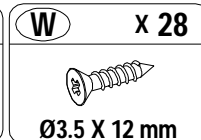
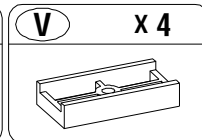
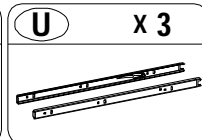
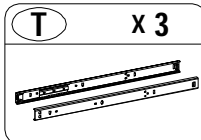
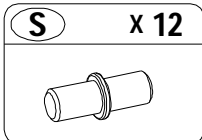
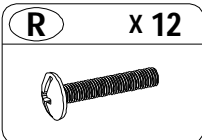
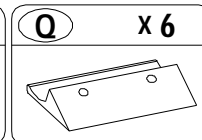
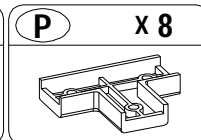
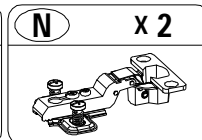
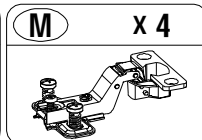
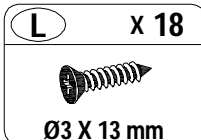
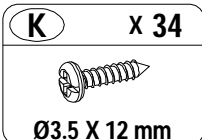
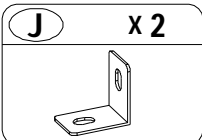
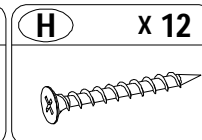
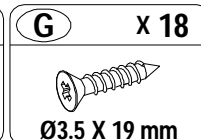
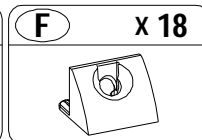
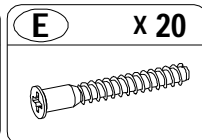
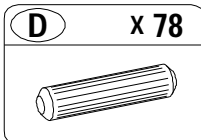
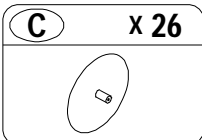
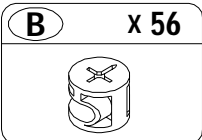
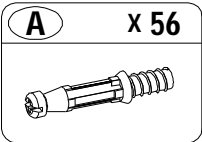
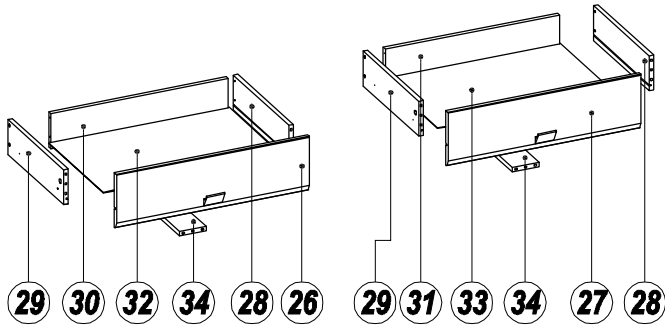
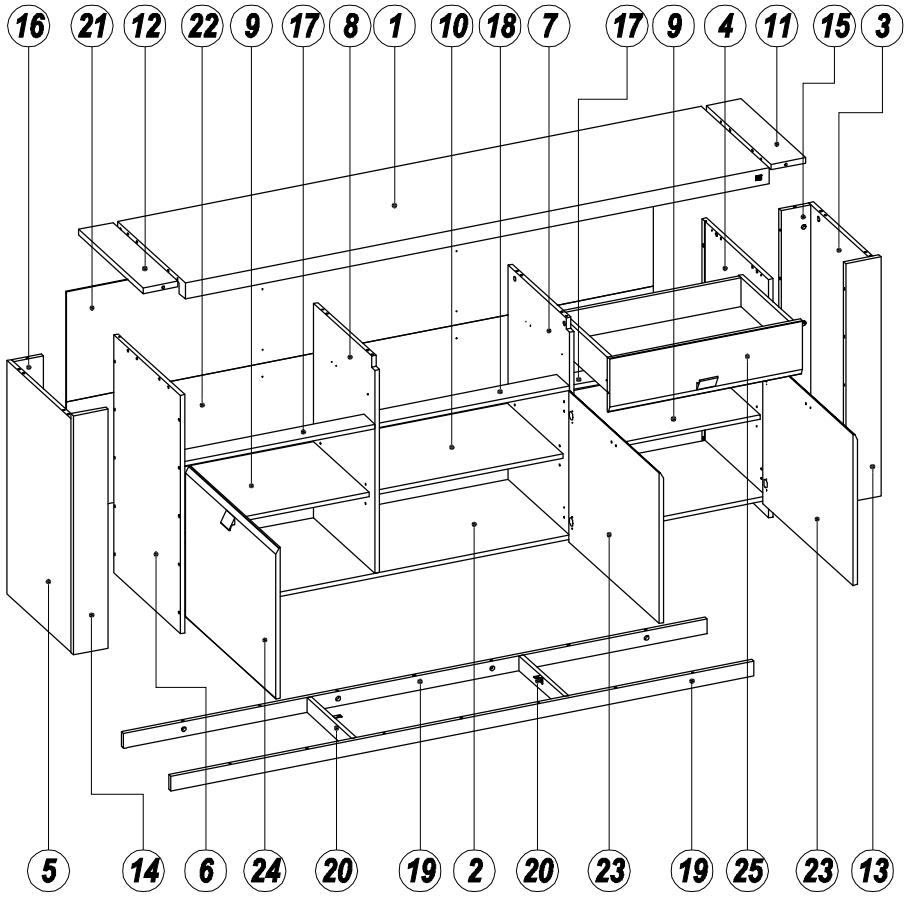
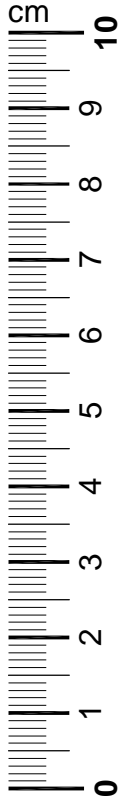
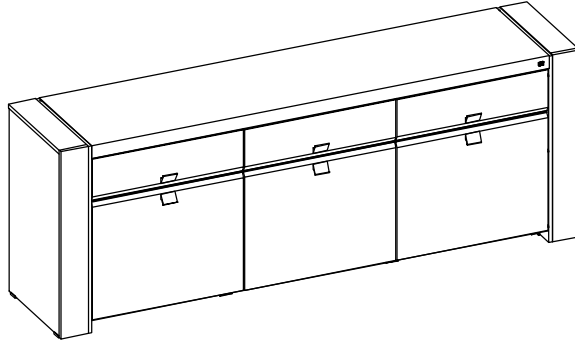
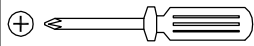
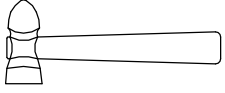


**90**  
**MNT**

# ALSB 220



**1**

**A** x12    **B** x8    **D** x8

**2**

**A** x10    **B** x21    **D** x23

**3**

**A** x8    **B** x11    **D** x15    **J** x2    **K** x2

Ø3.5 X 12 mm

**4** **3X**

Diagram 4 shows the assembly of three long metal rails. Part T is inserted into part U. Three such assemblies are shown.

**5**

Diagram 5 shows the assembly of a rectangular panel. Part 4 is attached to the panel using screws A and K. Part T is also attached. Callouts show the top view of the assembly.

<b>A</b> x 10	<b>K</b> x 4	<b>T</b> x 1
	Ø3.5 X 12 mm	

**6**

Diagram 6 shows the assembly of two rectangular panels, 7 and 8. Panels 7 and 8 are attached to each other using screws A, B, D, K, and T. Callouts show the top view of the assembly.

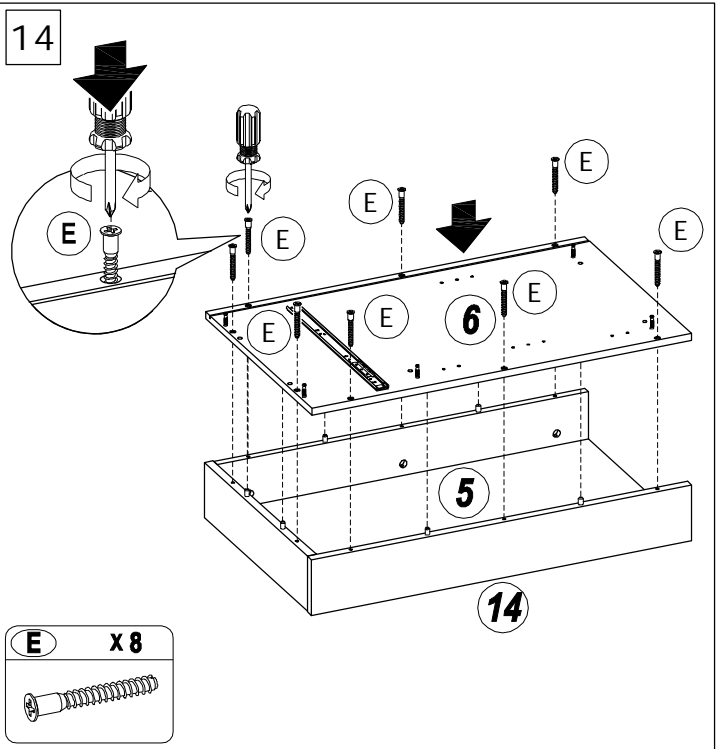
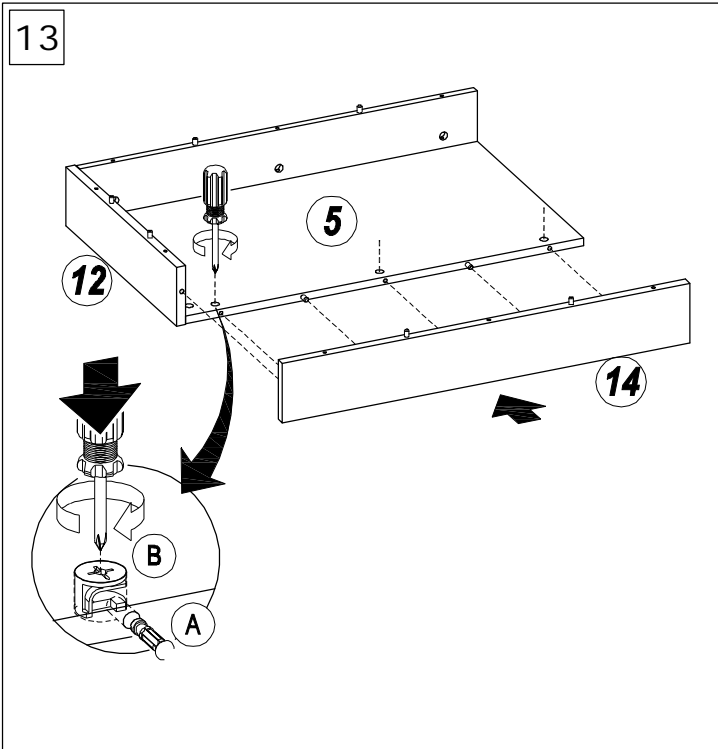
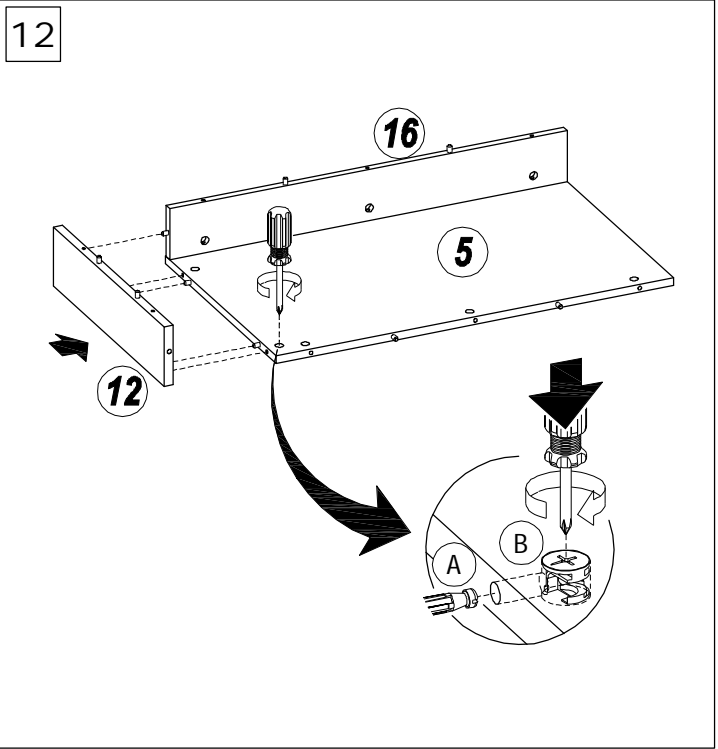
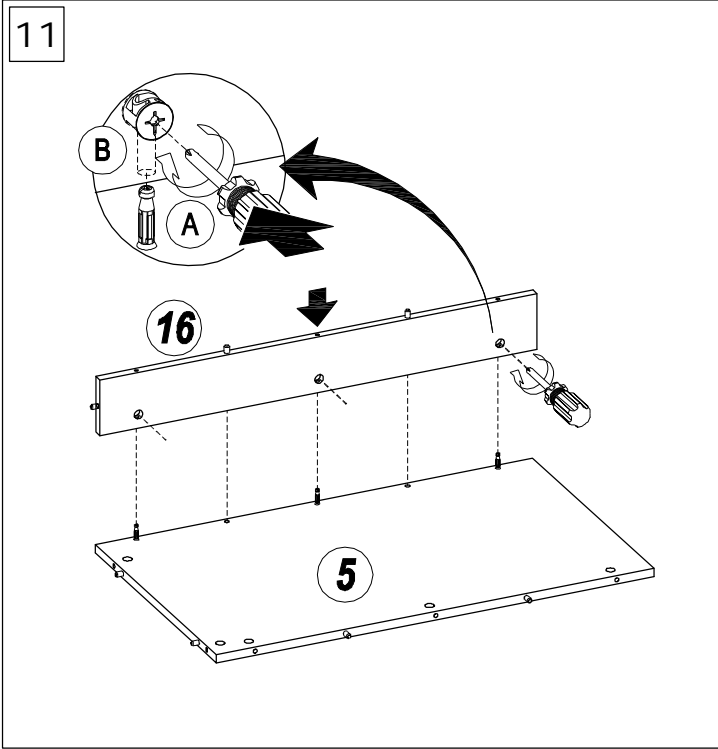
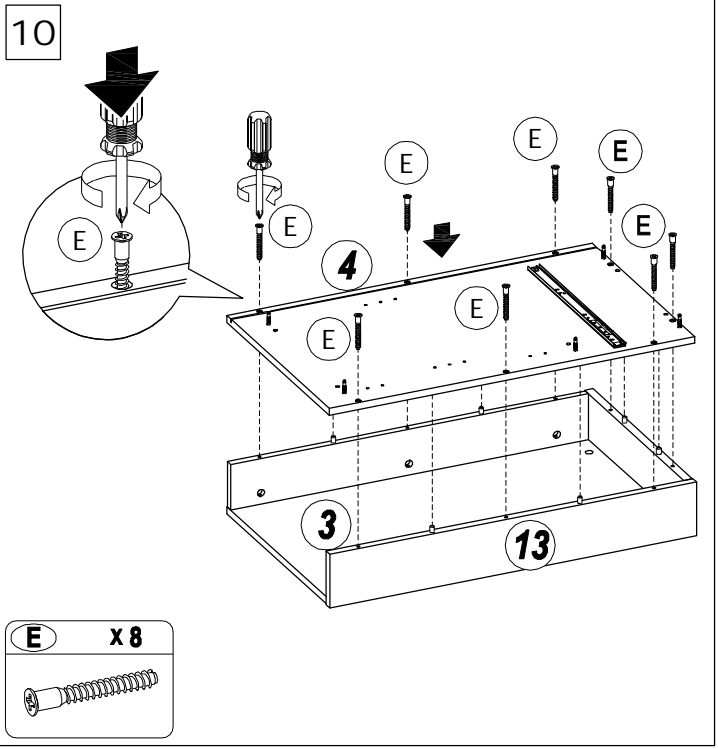
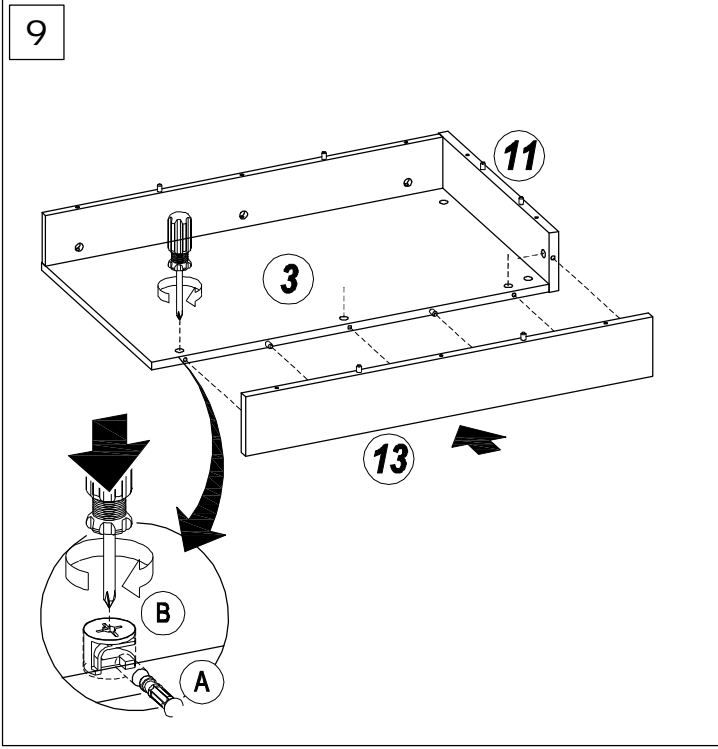
<b>A</b> x 4	<b>B</b> x 4	<b>D</b> x 8	<b>K</b> x 8	<b>T</b> x 2
			Ø3.5 X 12 mm	

**7**

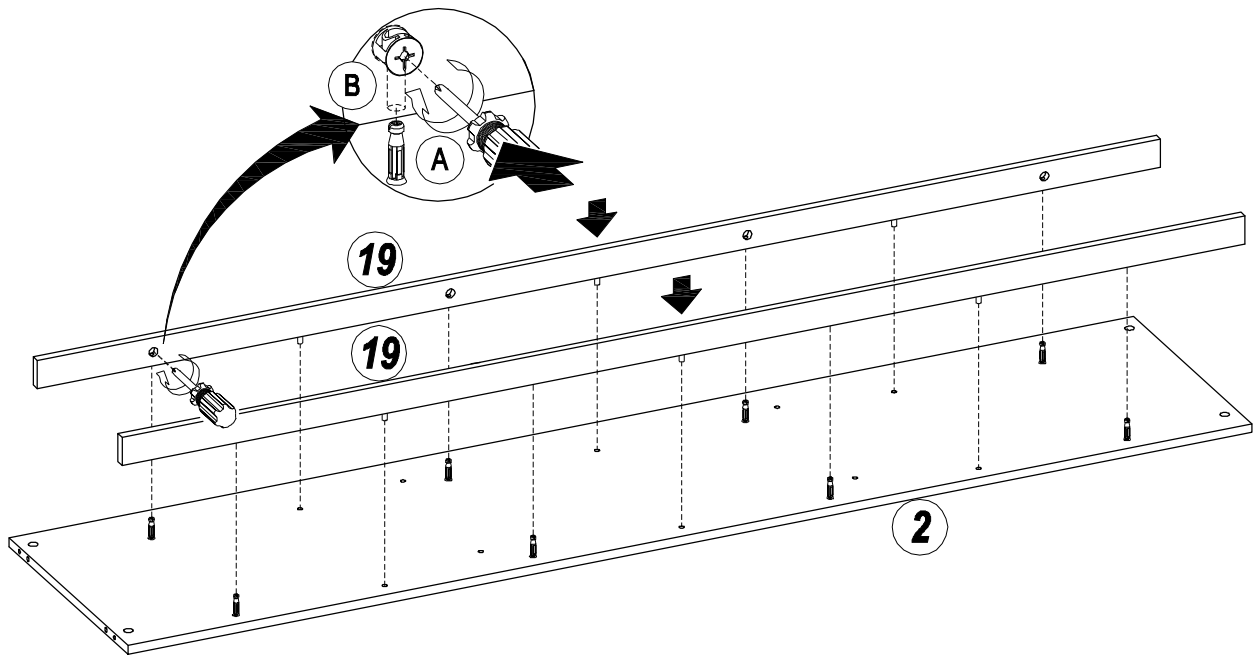
Diagram 7 shows the assembly of a long metal rail (15) to a panel (3). Part B is used to secure the rail to the panel using screw A.

**8**

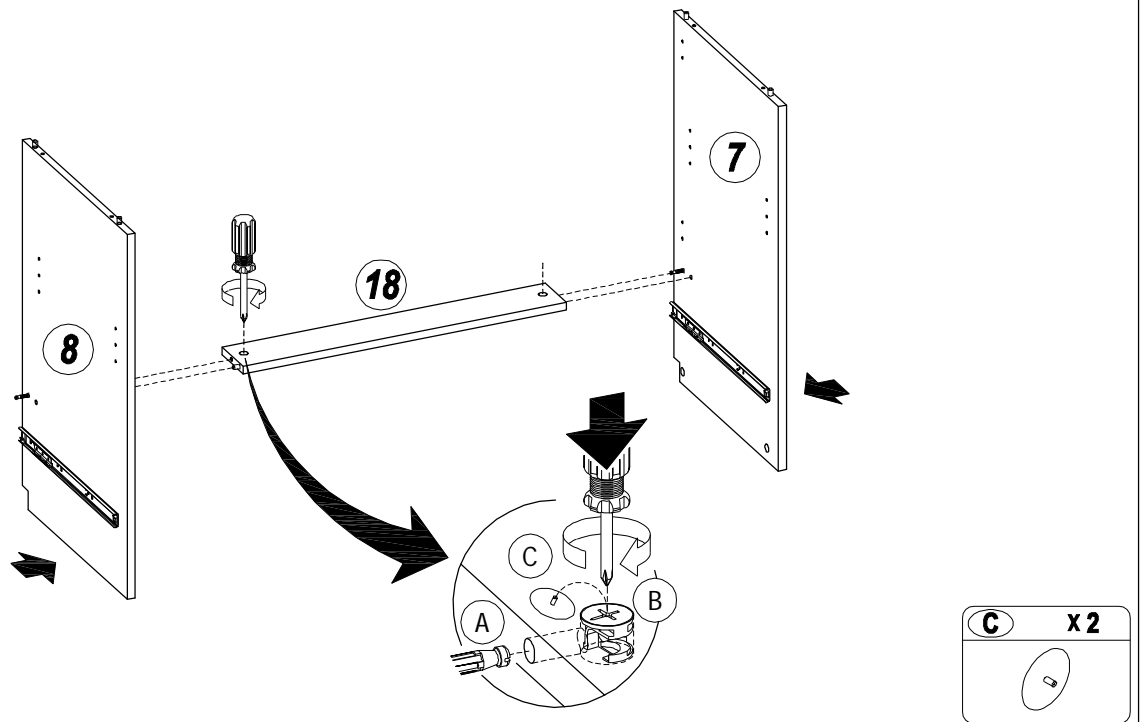
Diagram 8 shows the assembly of a long metal rail (11) to a panel (3). Part B is used to secure the rail to the panel using screw A.



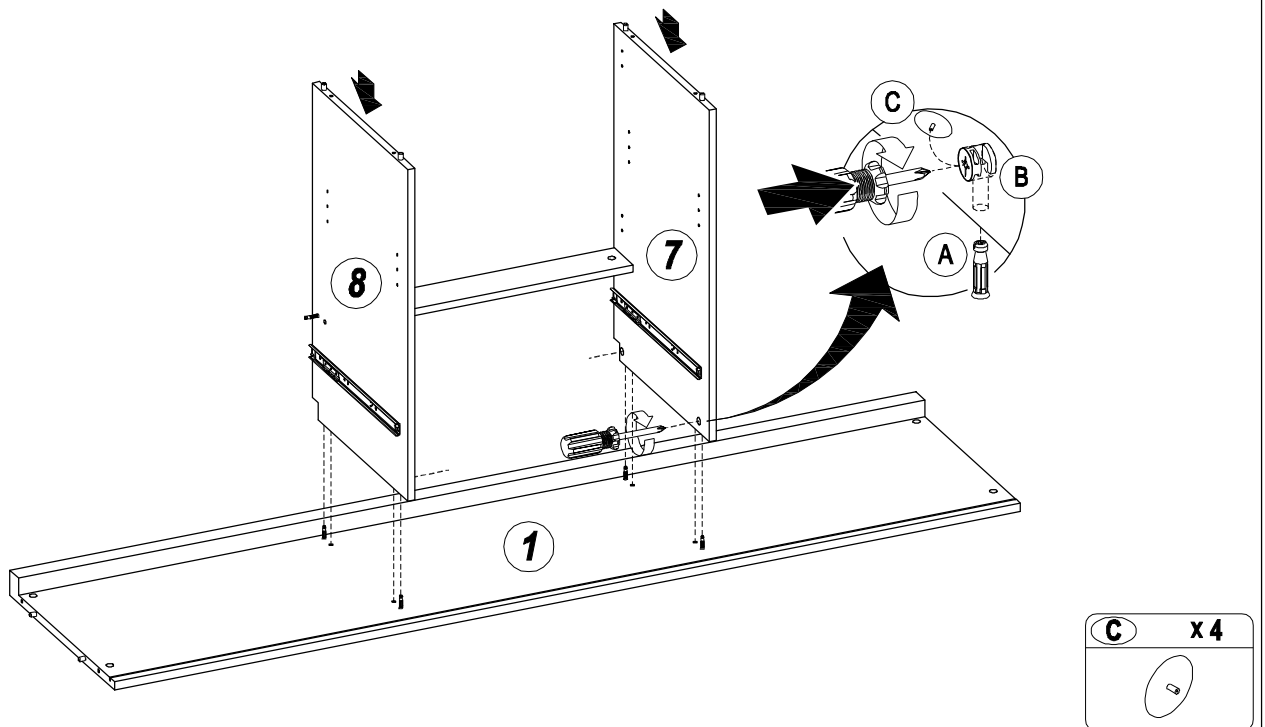
15



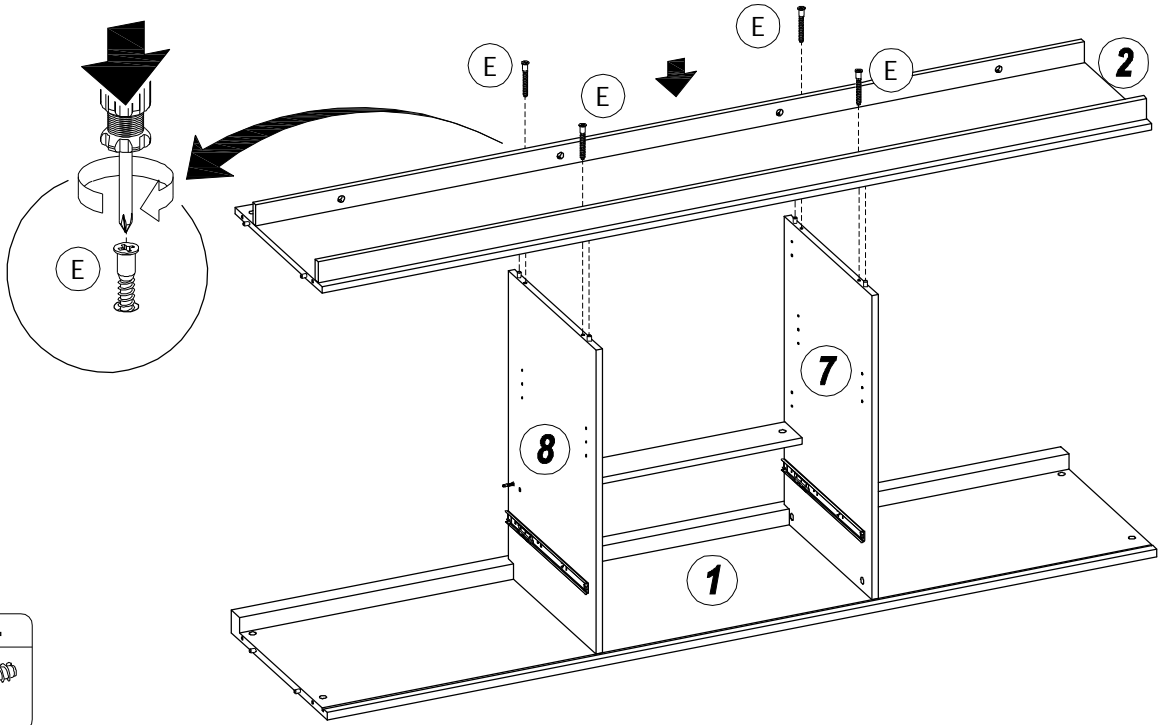
16



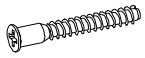
17



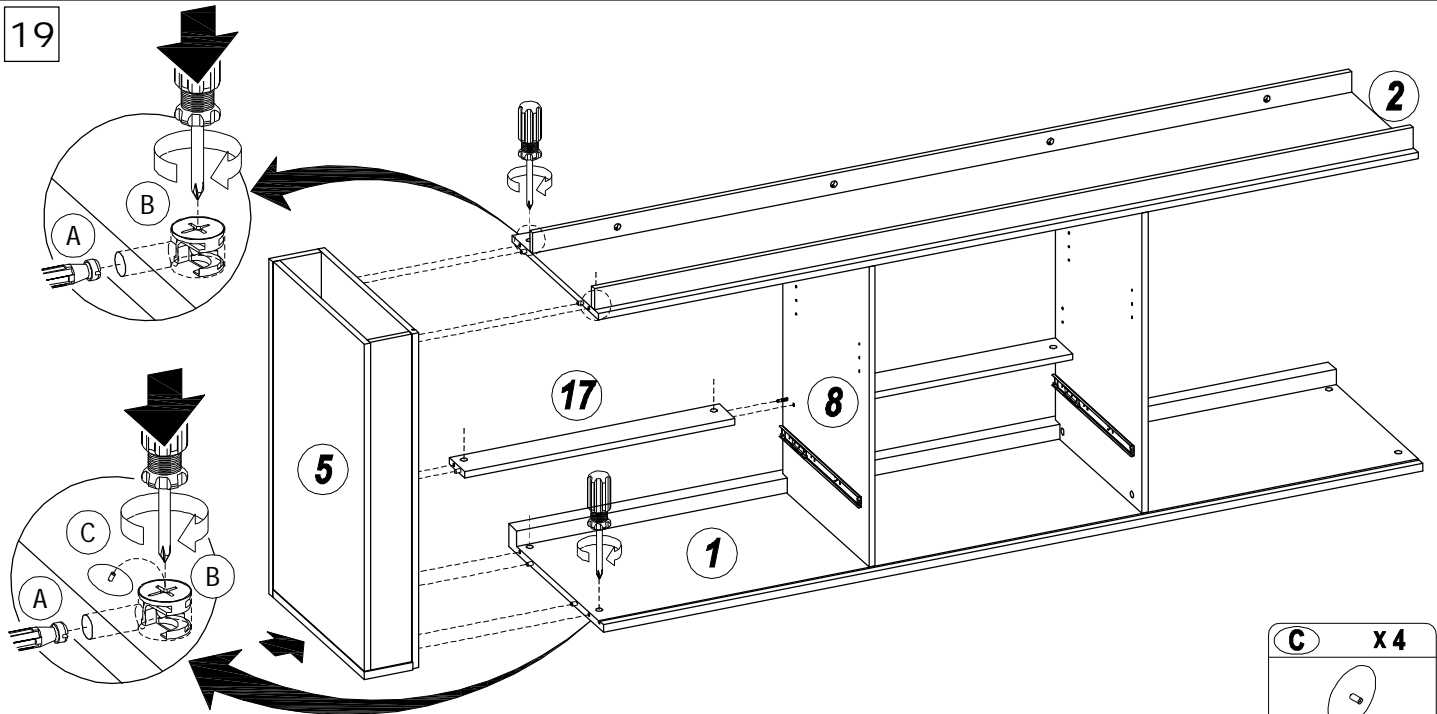
18



**E** x4



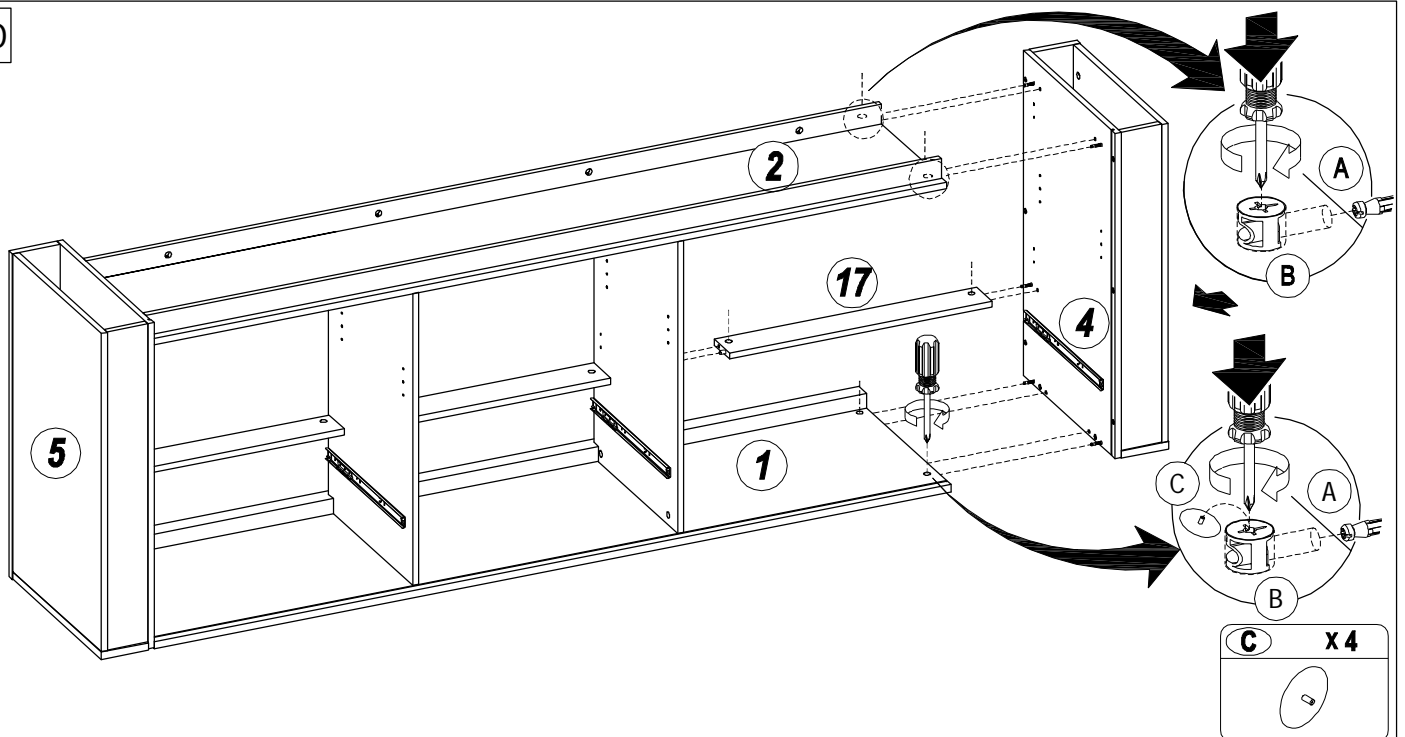
19



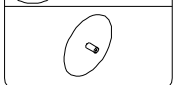
**C** x4



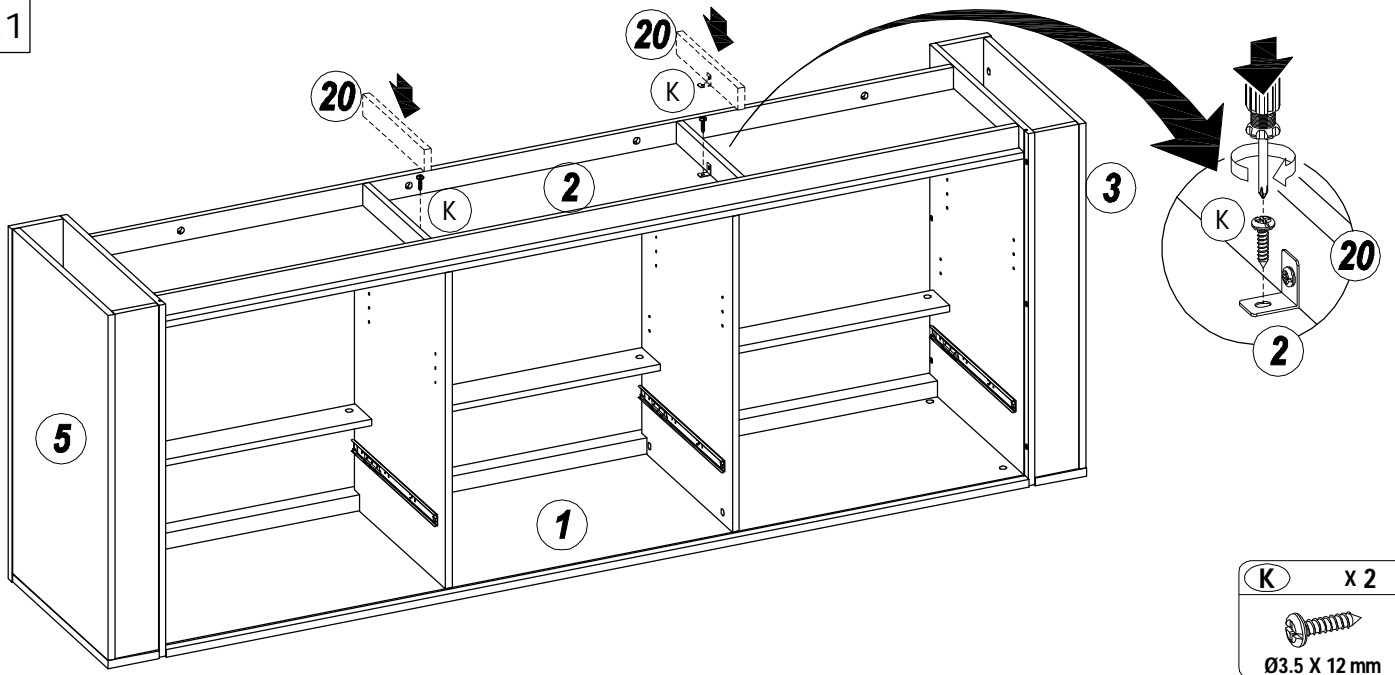
20




**C** x4

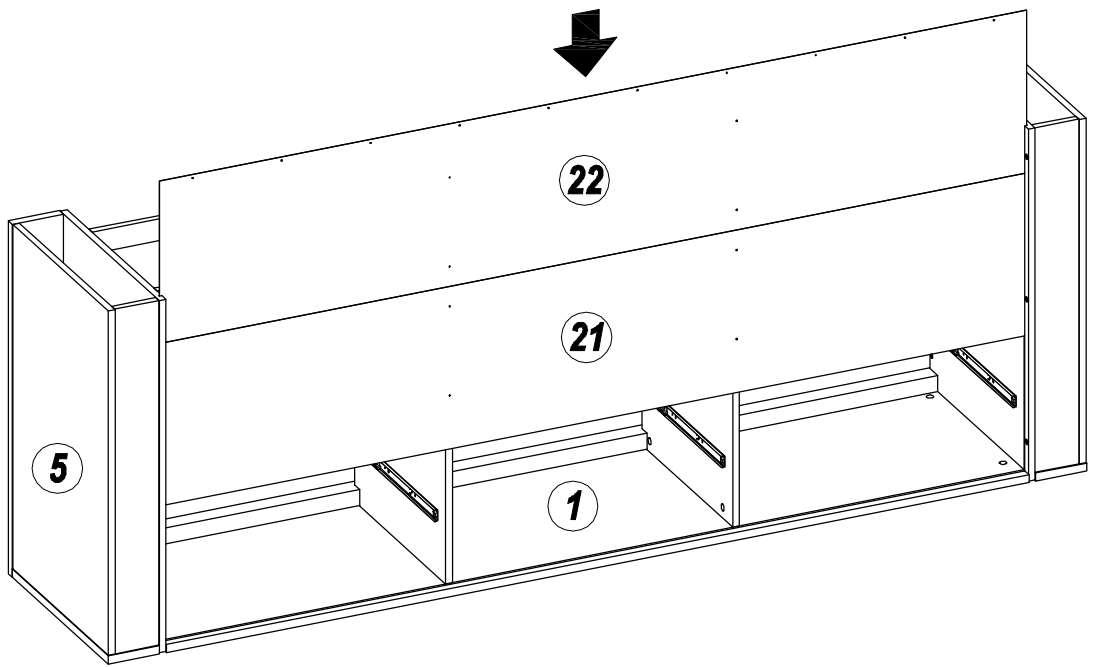


21

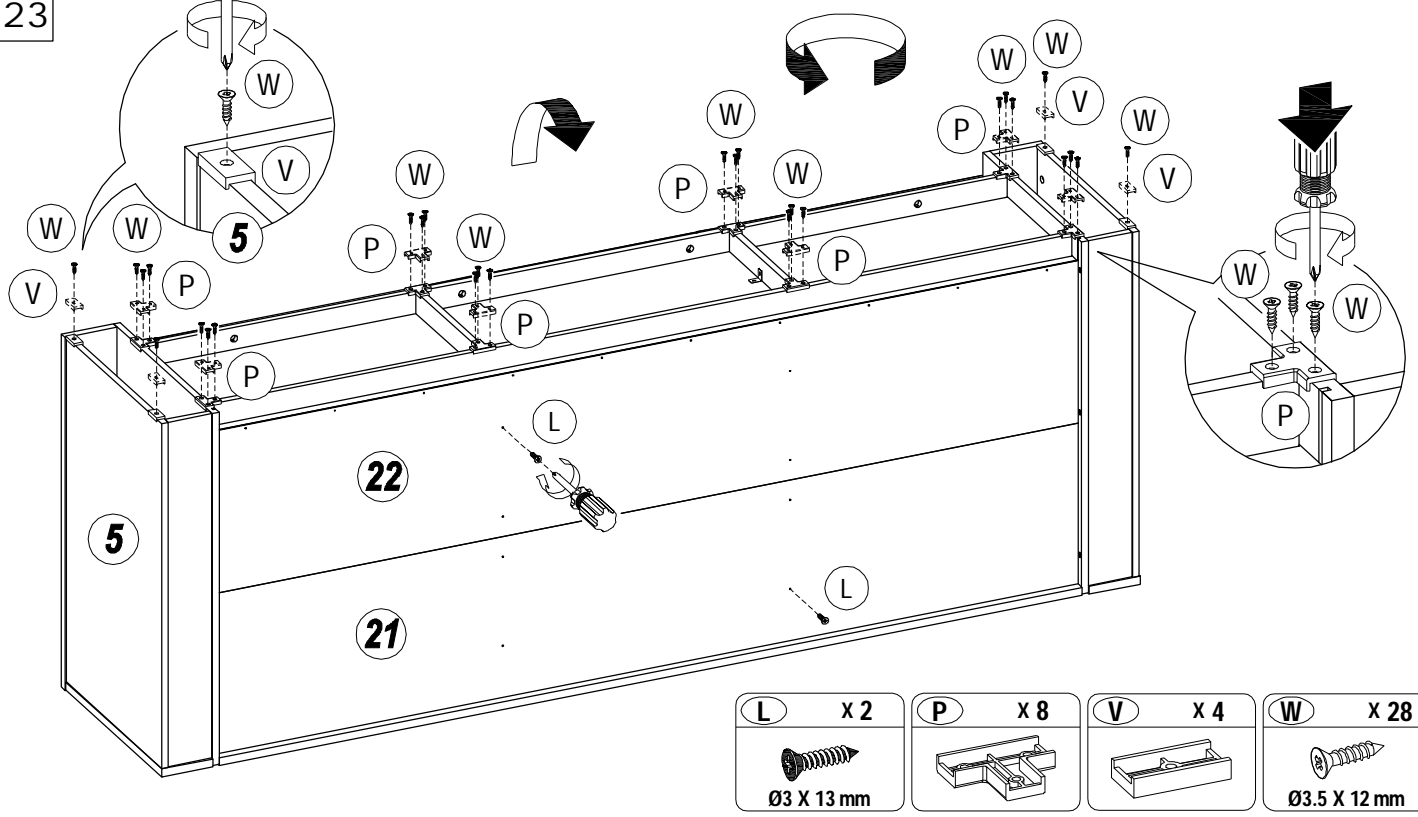



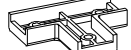


- K** x 2
-  Ø3.5 X 12 mm

22



23



- L** x 2
- P** x 8
- V** x 4
- W** x 28
-  Ø3 X 13 mm
- 
- 
-  Ø3.5 X 12 mm

24

1, 21, 22, 3

5, 22

90°

L x 16  
Ø3 X 13 mm

F x 12

G x 12  
Ø3.5 X 19 mm

25

23, 24

Y, N, R, M, Q

Y x 12  
Ø4 X 16 mm

M x 4, N x 2, Q x 3, R x 6

26

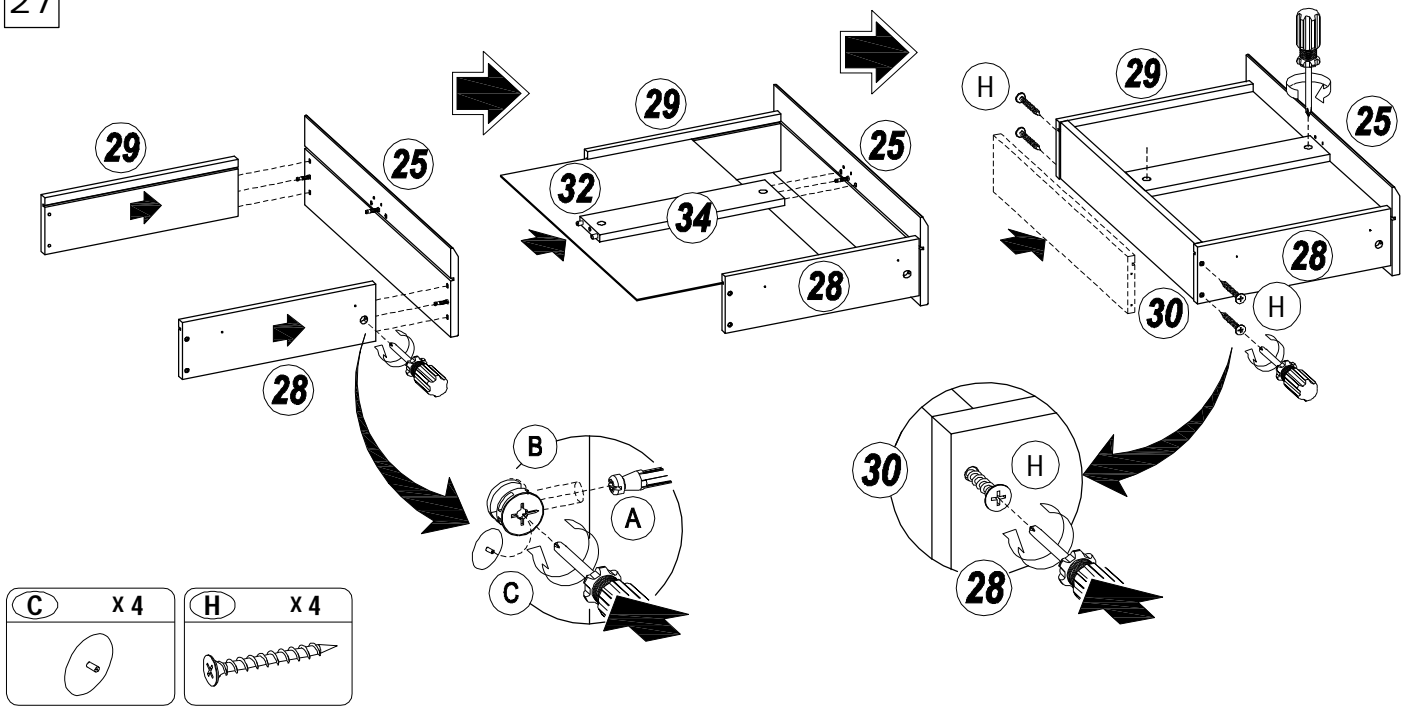
34, 29, 28, 30, 31

A, B, D, Q, R

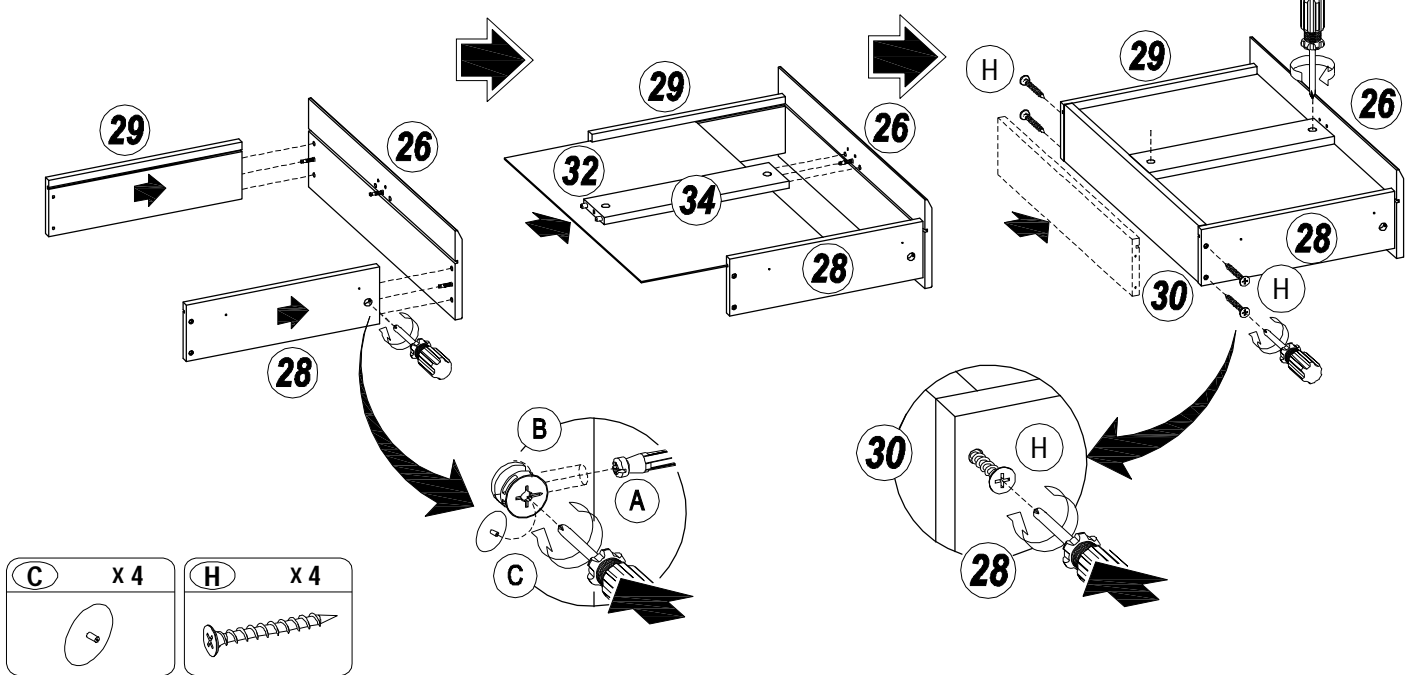
A x 12, B x 12, D x 24, Q x 3, R x 6



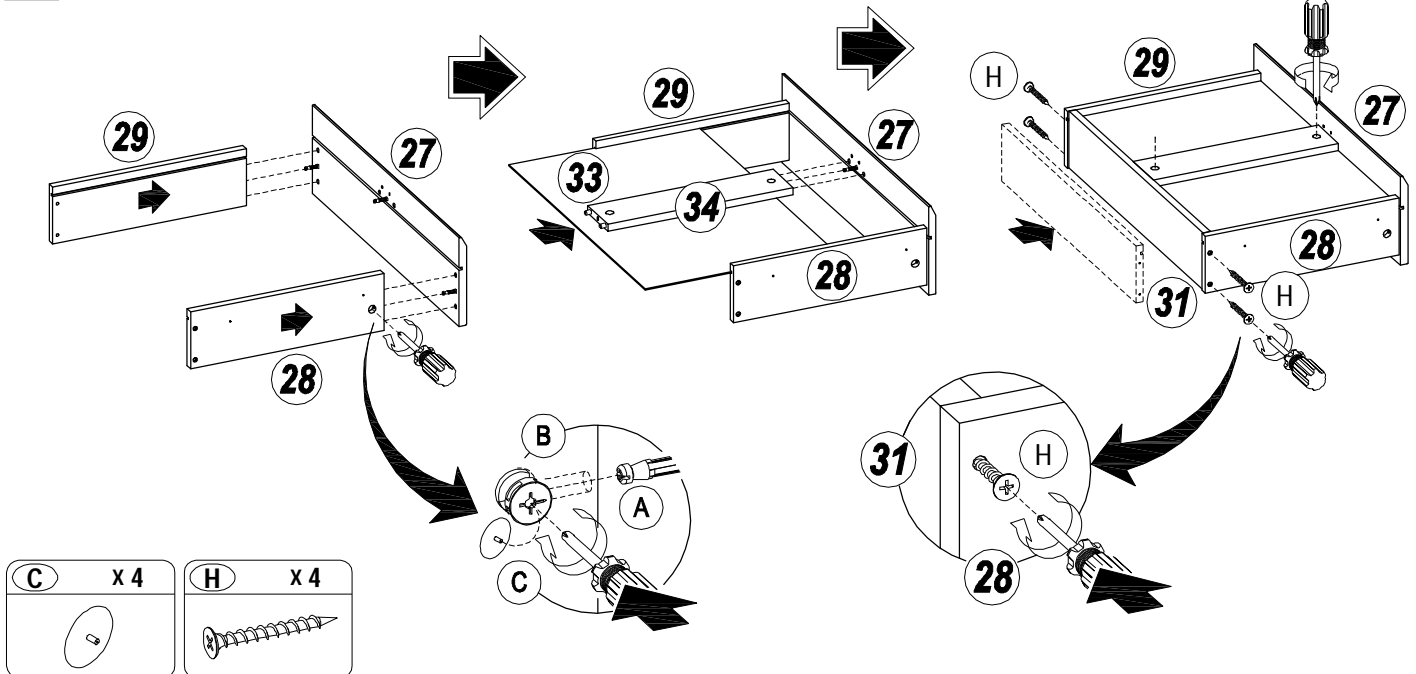
27



28

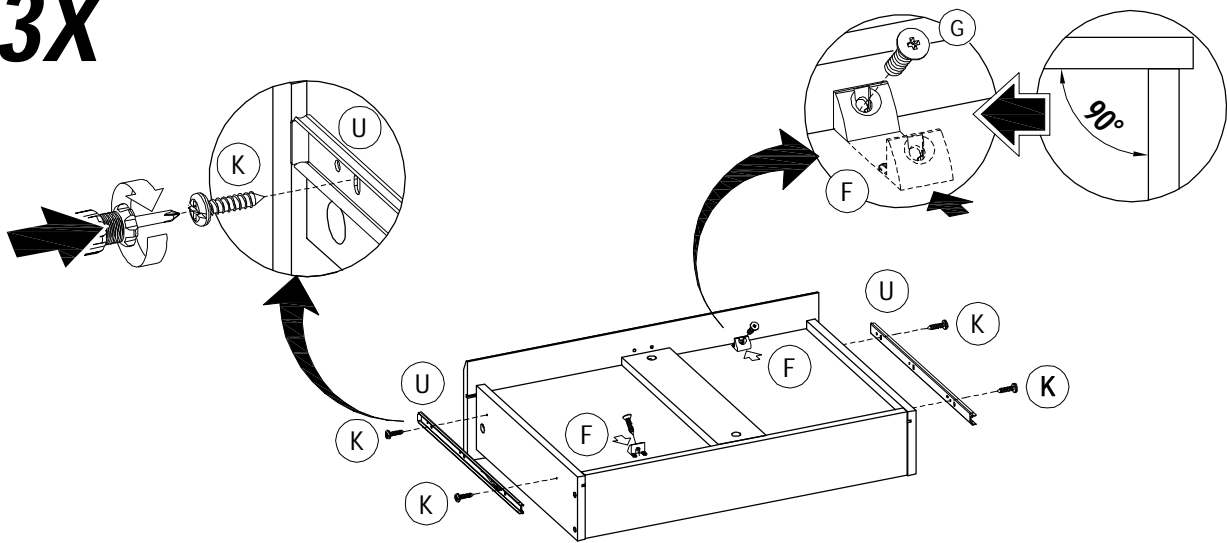



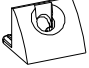


29



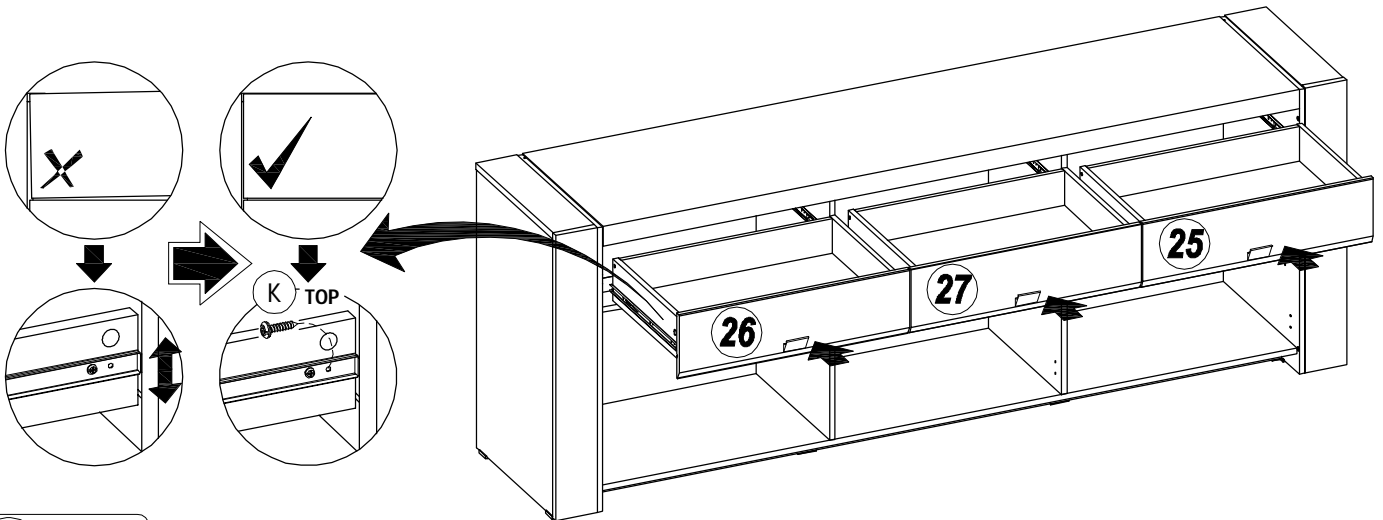
30


3X



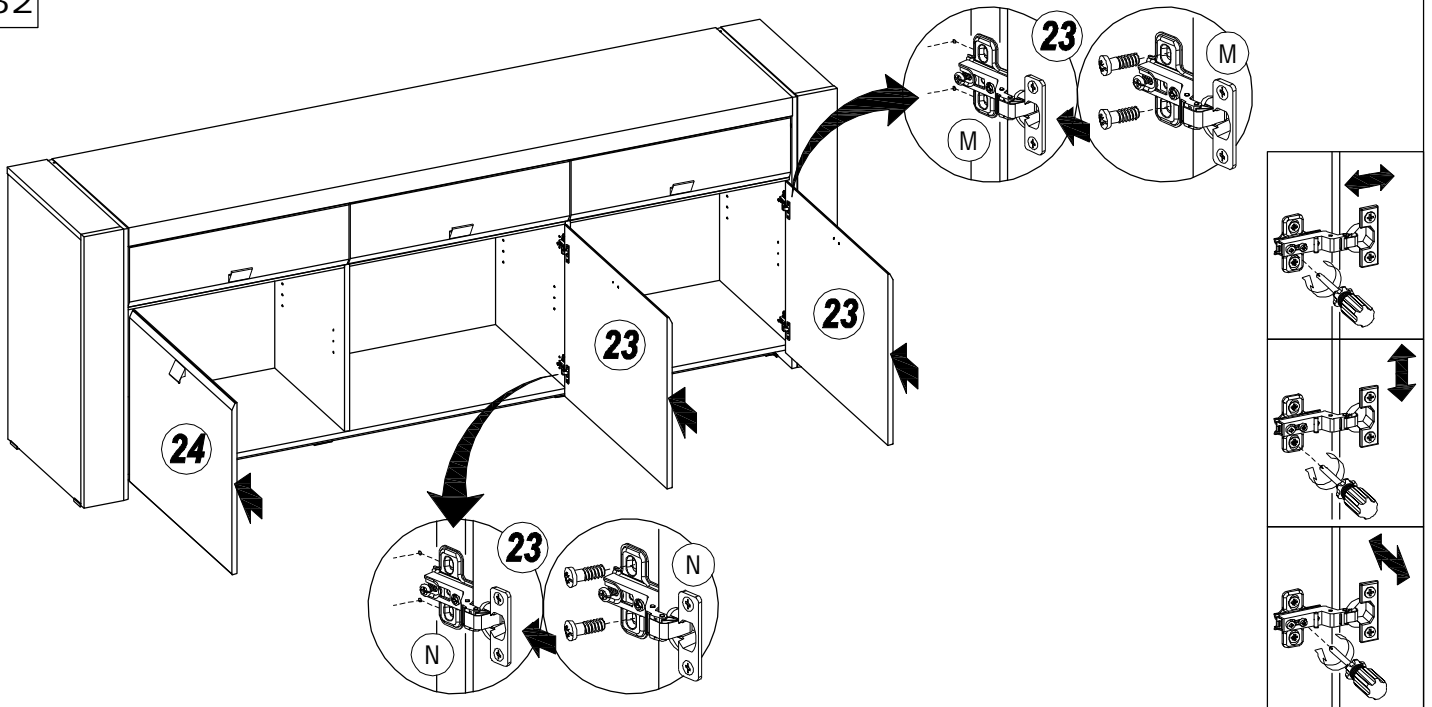
<b>K</b> x 12	<b>F</b> x 6	<b>G</b> x 6	<b>U</b> x 3
 Ø3.5 X 12 mm		 Ø3.5 X 19 mm	

31

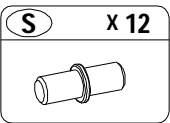
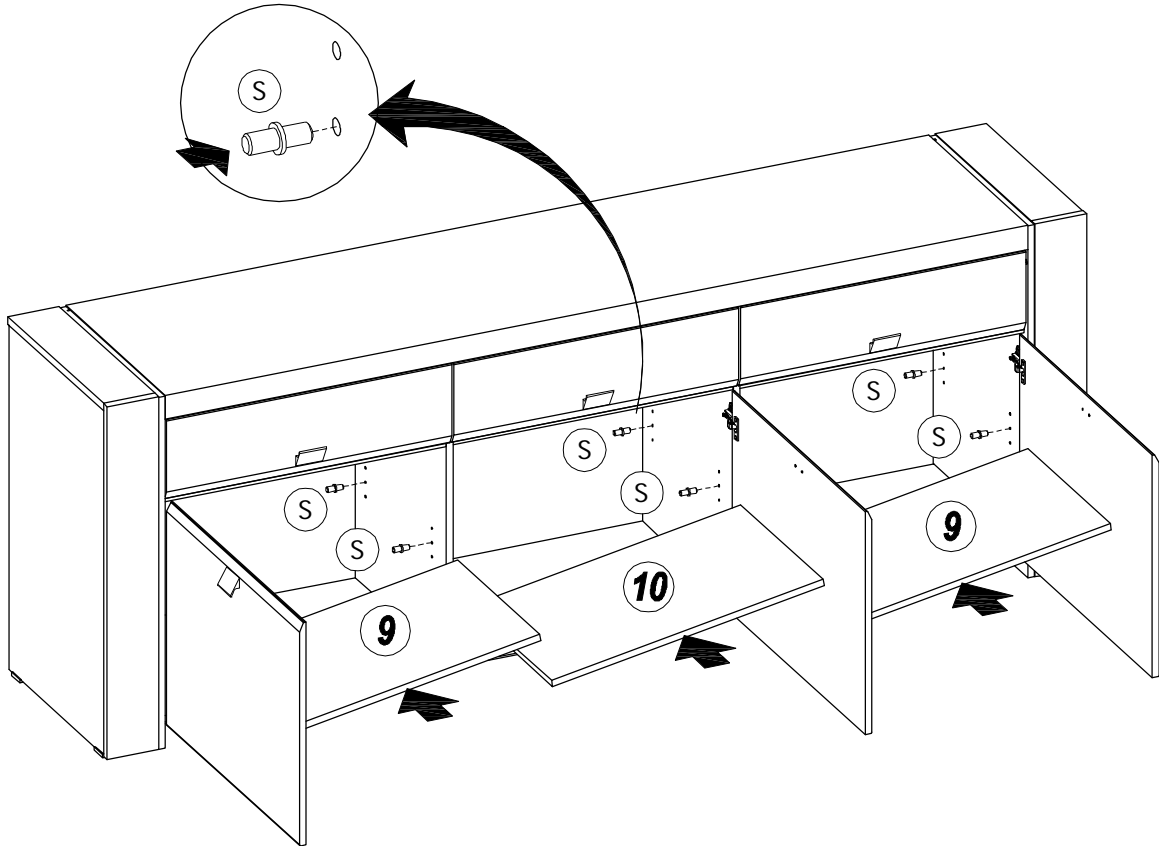


<b>K</b> x 6
 Ø3.5 X 12 mm

32



33



34

